



Chipsmall Limited consists of a professional team with an average of over 10 year of expertise in the distribution of electronic components. Based in Hongkong, we have already established firm and mutual-benefit business relationships with customers from,Europe,America and south Asia,supplying obsolete and hard-to-find components to meet their specific needs.

With the principle of "Quality Parts,Customers Priority,Honest Operation,and Considerate Service",our business mainly focus on the distribution of electronic components. Line cards we deal with include Microchip,ALPS,ROHM,Xilinx,Pulse,ON,Everlight and Freescale. Main products comprise IC,Modules,Potentiometer,IC Socket,Relay,Connector.Our parts cover such applications as commercial,industrial, and automotives areas.

We are looking forward to setting up business relationship with you and hope to provide you with the best service and solution. Let us make a better world for our industry!



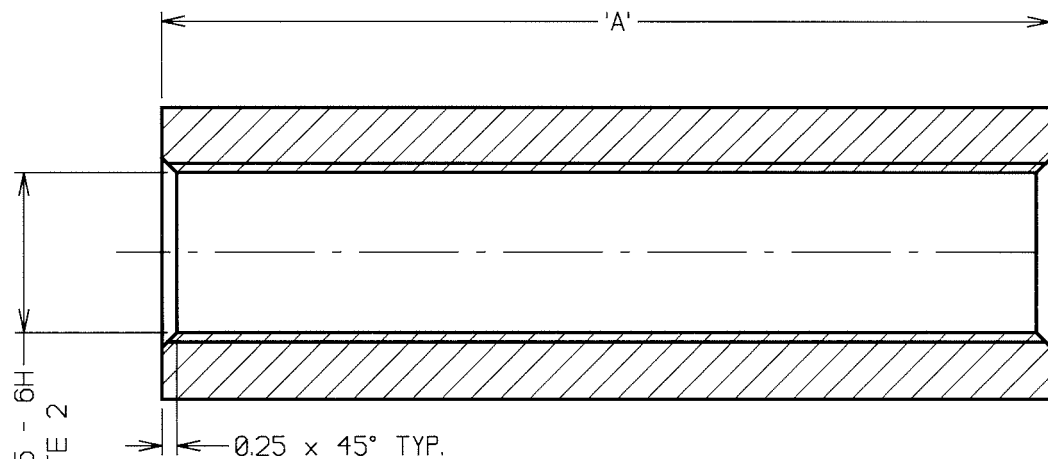
Contact us

Tel: +86-755-8981 8866 Fax: +86-755-8427 6832

Email & Skype: info@chipsmall.com Web: www.chipsmall.com

Address: A1208, Overseas Decoration Building, #122 Zhenhua RD., Futian, Shenzhen, China

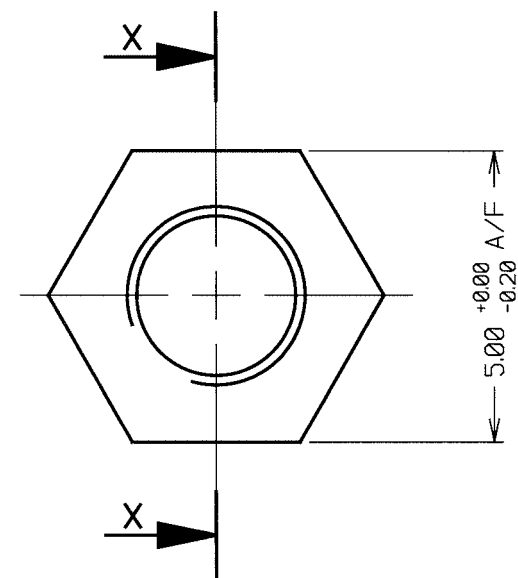




M3 x 0.5 - 6H
SEE NOTE 2

0.25 x 45° TYP.

SECTION X-X



PART No.	DIM 'A'	SURFACE AREA
R6390-02	3.18	111.5mm ²
R6391-02	6.35	195.2mm ²
R6392-02	9.52	278.9mm ²
R6393-02	12.70	362.8mm ²
R6394-02	15.88 ±0.15	446.8mm ²
R6395-02	19.05 ±0.15	530.5mm ²
R6396-02	22.23 ±0.15	614.5mm ²
R6397-02	25.40 ±0.15	698.2mm ²

NOTES.

1. FINISH = F0203 (0.35μ NICKEL)
2. THREAD TO BE MANUFACTURED IN ACCORDANCE WITH BS3643 PART. 2 1981.
3. REMOVE ALL BURRS.

14	22.01.99	4737
13	11.04.87	1081
12	08.02.86	932

ISS. DATE C/N

APPROVED: *[Signature]*

CHECKED: *[Signature]*

DRAWN: D. BECK

CUSTOMER REF.

ASSEMBLY DRG:

HARWIN

TOLERANCES

X. = ±1mm
 X.X = ±0.25mm
 X.XX = ±0.10mm
 X.XXX = ±0.01mm
 ANGLES = ±1°
 UNLESS STATED

MATERIAL:

BRASS CZ121 TO BS2874
(BRM1023)

FINISH: SEE NOTE 1

S/AREA: SEE TABLE mm²

TITLE:

M3 THREADED HEXAGONAL
SPACER

DRAWING NUMBER:

R6390-02/R6397-02

SHT
1 OF 1

HARWIN INC
U.S.A.

TEL: (812) 285 0055
FAX: (812) 285 0056

HARWIN PLC
U.K.

TEL: 01705 370451
FAX: 01705 314590

HARWIN PTE
SINGAPORE

TEL: 65 7794909
FAX: 65 7793868