



Chipsmall Limited consists of a professional team with an average of over 10 year of expertise in the distribution of electronic components. Based in Hongkong, we have already established firm and mutual-benefit business relationships with customers from,Europe,America and south Asia,supplying obsolete and hard-to-find components to meet their specific needs.

With the principle of “Quality Parts,Customers Priority,Honest Operation,and Considerate Service”,our business mainly focus on the distribution of electronic components. Line cards we deal with include Microchip,ALPS,ROHM,Xilinx,Pulse,ON,Everlight and Freescale. Main products comprise IC,Modules,Potentiometer,IC Socket,Relay,Connector.Our parts cover such applications as commercial,industrial, and automotives areas.

We are looking forward to setting up business relationship with you and hope to provide you with the best service and solution. Let us make a better world for our industry!



## Contact us

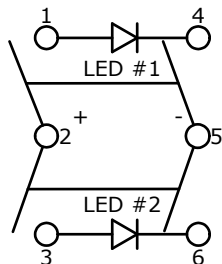
Tel: +86-755-8981 8866 Fax: +86-755-8427 6832

Email & Skype: info@chipsmall.com Web: www.chipsmall.com

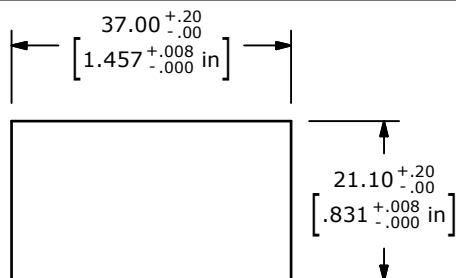
Address: A1208, Overseas Decoration Building, #122 Zhenhua RD., Futian, Shenzhen, China



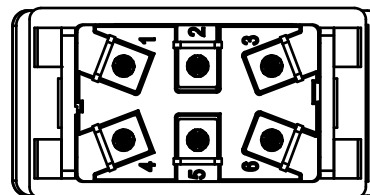
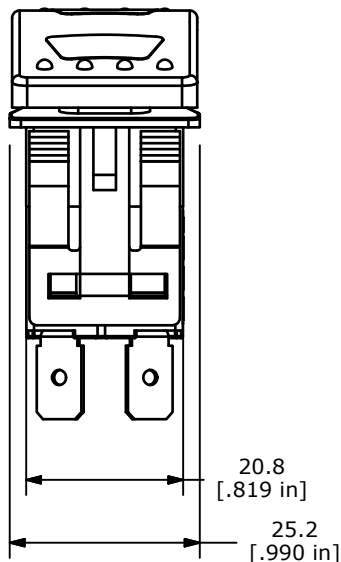
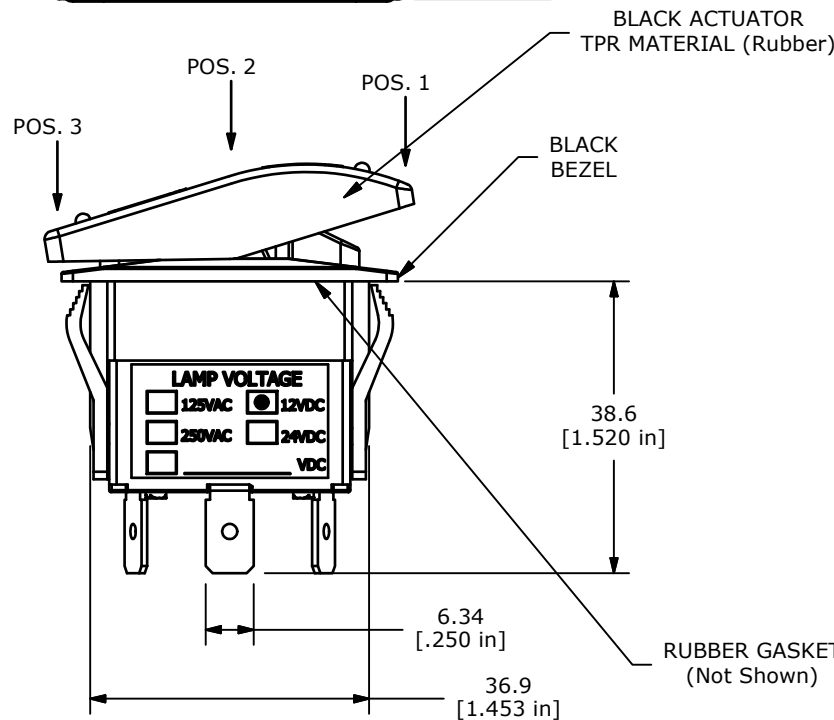
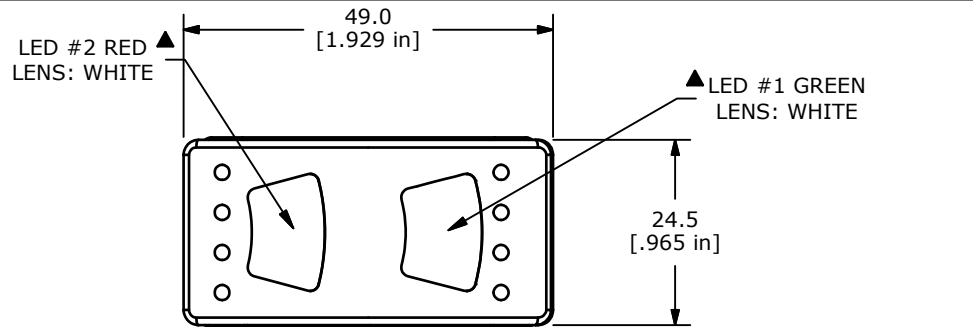
| ▲ SWITCH FUNCTION |        |          |
|-------------------|--------|----------|
| POS. 1            | POS. 2 | POS. 3   |
|                   |        |          |
| ON                | OFF    | ON       |
| 1-2; 4-5          | OFF    | 2-3; 5-6 |



CIRCUIT: DPDT  
ON - OFF - ON



RECOMMENDED  
PANEL CUT-OUT



NOTES:

- ALL DIMENSIONS IN MM [INCH]
- GENERAL TOLERANCE: X.X=±0.4  
X.XX=±0.25
- TERM. NOS. FOR REF. ONLY
- RATING: 16A @ 30VDC, 50/60 Hz, μT85/55  
UL LISTED
- ELECTRICAL LIFE: 10,000 CYCLES
- MECHANICAL LIFE: 30,000 CYCLES
- CONTACT RESISTANCE: <20 MILLI-OHMS INITIAL
- DIELECTRIC STRENGTH: >1,500V AC 1MIN
- INSULATION RESISTANCE: >100 MOHMS @ 500VDC
- OPERATING TEMP: 0°C to 55°C
- LED VOLTAGE: 12VDC
- ▲DENOTES CRITICAL PARAMETER.
- 2002/95/EC (ROHS) COMPLIANT



|     |        |                 |         |    |
|-----|--------|-----------------|---------|----|
| B   | 21355  | Drawing Cleanup | 1/15/14 | rc |
| A   | 21252  | New Release     | 8/14/13 | rc |
| REV | PCR NO | DESCRIPTION     | DATE    | BY |

|                          |                |       |             |       |
|--------------------------|----------------|-------|-------------|-------|
| TITLE R723FE3-SXXX2B4GRW |                |       |             |       |
| SCALE 1:1                | DATE 8/14/2013 | DR rc | DWG C700019 | REV B |

THE INFORMATION CONTAINED IN THIS DOCUMENT IS PROPRIETARY TO E-SWITCH AND IS NOT TO BE COPIED OR TRANSFERRED