



Chipsmall Limited consists of a professional team with an average of over 10 year of expertise in the distribution of electronic components. Based in Hongkong, we have already established firm and mutual-benefit business relationships with customers from,Europe,America and south Asia,supplying obsolete and hard-to-find components to meet their specific needs.

With the principle of "Quality Parts,Customers Priority,Honest Operation,and Considerate Service",our business mainly focus on the distribution of electronic components. Line cards we deal with include Microchip,ALPS,ROHM,Xilinx,Pulse,ON,Everlight and Freescale. Main products comprise IC,Modules,Potentiometer,IC Socket,Relay,Connector.Our parts cover such applications as commercial,industrial, and automotives areas.

We are looking forward to setting up business relationship with you and hope to provide you with the best service and solution. Let us make a better world for our industry!



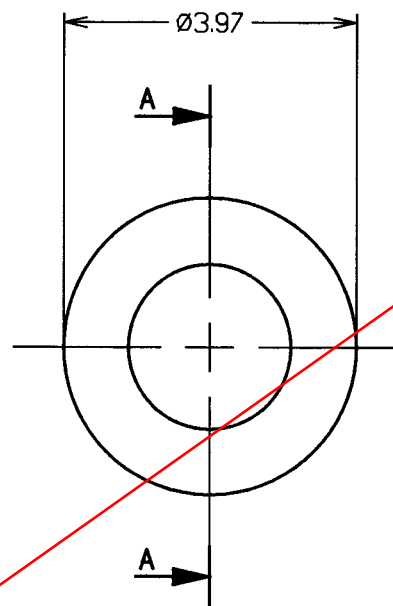
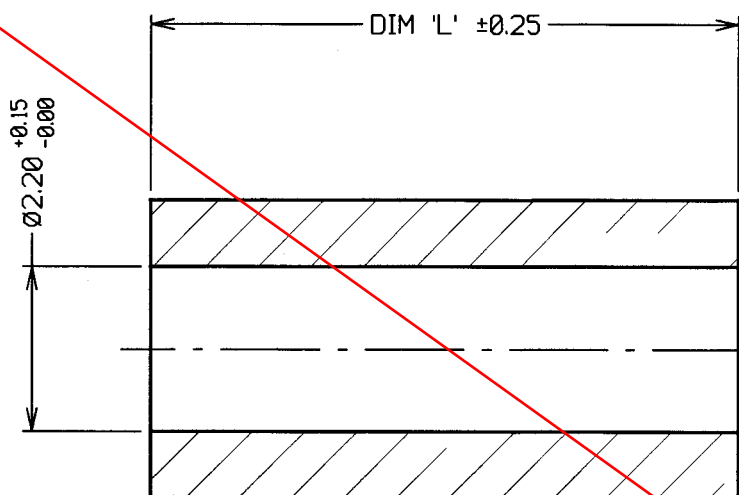
## Contact us

Tel: +86-755-8981 8866 Fax: +86-755-8427 6832

Email & Skype: info@chipsmall.com Web: www.chipsmall.com

Address: A1208, Overseas Decoration Building, #122 Zhenhua RD., Futian, Shenzhen, China





**OBSOLETE**

NOTES:  
1. REMOVE ALL BURRS.

PART No.	DIM 'L'	SURFACE AREA
R8280-02	3.18	103.4
R8281-02	6.35	171.0
R8282-02	9.53	238.8
R8283-02	4.76	137.1
R8284-02	7.94	204.9

12	28.11.96	3647
11	05.03.79	----
10	01.11.78	----

ISS.	DATE	C/N

APPROVED:

CHECKED: *RJE*

DRAWN: W. BOURNE

CUSTOMER REF.

ASSEMBLY DRG.

# HARWIN

HARWIN INC  
U.S.A.

HARWIN PLC  
UK.

HARWIN PTE  
SINGAPORE

HARWIN CONNECTORS  
KOREA

TEL: (812) 285 0055  
FAX: (812) 285 0056

TEL: 01705 370451  
FAX: 01705 324010

TEL: 65 7794909  
FAX: 65 7793868

TEL: 822 521 0747  
FAX: 822 521 0749

## TOLERANCES

X. = ±1mm  
X.X = ±0.25mm  
X.XX = ±0.10mm  
X.XXX = ±0.01mm  
ANGLES = ±1°  
UNLESS STATED

## MATERIAL:

BRASS CZ121 TO BS2874

FINISH: F0203 (NICKEL)

S/AREA: SEE TABLE mm<sup>2</sup>

## TITLE:

M2 CIRCULAR  
CLEARANCE SPACER

DRAWING NUMBER:

R8280-02 TO R8284-02

SHT  
1  
OF  
1