



Chipsmall Limited consists of a professional team with an average of over 10 year of expertise in the distribution of electronic components. Based in Hongkong, we have already established firm and mutual-benefit business relationships with customers from,Europe,America and south Asia,supplying obsolete and hard-to-find components to meet their specific needs.

With the principle of “Quality Parts,Customers Priority,Honest Operation,and Considerate Service”,our business mainly focus on the distribution of electronic components. Line cards we deal with include Microchip,ALPS,ROHM,Xilinx,Pulse,ON,Everlight and Freescale. Main products comprise IC,Modules,Potentiometer,IC Socket,Relay,Connector.Our parts cover such applications as commercial,industrial, and automotives areas.

We are looking forward to setting up business relationship with you and hope to provide you with the best service and solution. Let us make a better world for our industry!



Contact us

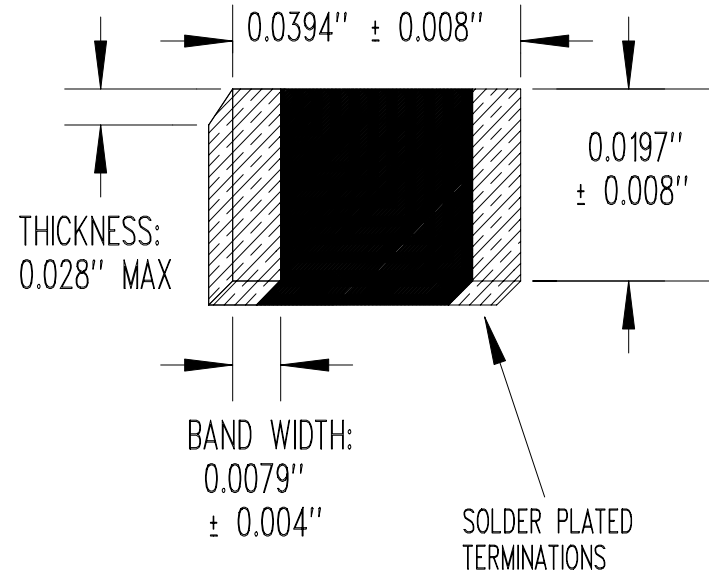
Tel: +86-755-8981 8866 Fax: +86-755-8427 6832

Email & Skype: info@chipsmall.com Web: www.chipsmall.com

Address: A1208, Overseas Decoration Building, #122 Zhenhua RD., Futian, Shenzhen, China



RESISTANCE/TEMPERATURE TABLE			
TEMP (°C)	RESIS (Ω)	TEMP (°C)	RESIS (Ω)
-40	19,695	45	500.9
-35	14,877	50	426.7
-30	11,356	55	365.2
-25	8,753	60	314.0
-20	6,809	65	271.1
-15	5,344	70	235.0
-10	4,228	75	204.5
-5	3,372	80	178.6
0	2,709	85	156.6
5	2,191	90	137.8
10	1,785	95	121.7
15	1,463	100	107.9
20	1,206	105	95.89
25	1,000	110	85.50
30	834.5	115	76.47
35	700.2	120	68.58
40	590.7	125	61.67



RESISTANCE @ +25°C = 1,000 Ω ± 5%
 BETA "β" (+25 TO +85°C) = 3,300°K NOMINAL
 POWER RATING = 40 mW
 OPERATING TEMPERATURE RANGE = -40 TO +125°C

SEE MANUFACTURING SPECIFICATION (LAYER 1)

NONE	RELEASE TO PRODUCTION	12/04/03	DD
REV	REVISION RECORD	DATE	APP

SCALE	NONE	U.S. SENSOR CORP. 1832 W. COLL INS AVE. ORANGE, CA . 92867 714-639-1000 www.ussensor.com
DRAWN BY	DAN DANKERT	
DATE	12/04/03	
REV	NONE	
LAYER	0 OF 2	
		THERMISTOR, NTC CHIP
		P/N RA102E0J