



Chipsmall Limited consists of a professional team with an average of over 10 year of expertise in the distribution of electronic components. Based in Hongkong, we have already established firm and mutual-benefit business relationships with customers from,Europe,America and south Asia,supplying obsolete and hard-to-find components to meet their specific needs.

With the principle of “Quality Parts,Customers Priority,Honest Operation,and Considerate Service”,our business mainly focus on the distribution of electronic components. Line cards we deal with include Microchip,ALPS,ROHM,Xilinx,Pulse,ON,Everlight and Freescale. Main products comprise IC,Modules,Potentiometer,IC Socket,Relay,Connector.Our parts cover such applications as commercial,industrial, and automotives areas.

We are looking forward to setting up business relationship with you and hope to provide you with the best service and solution. Let us make a better world for our industry!



Contact us

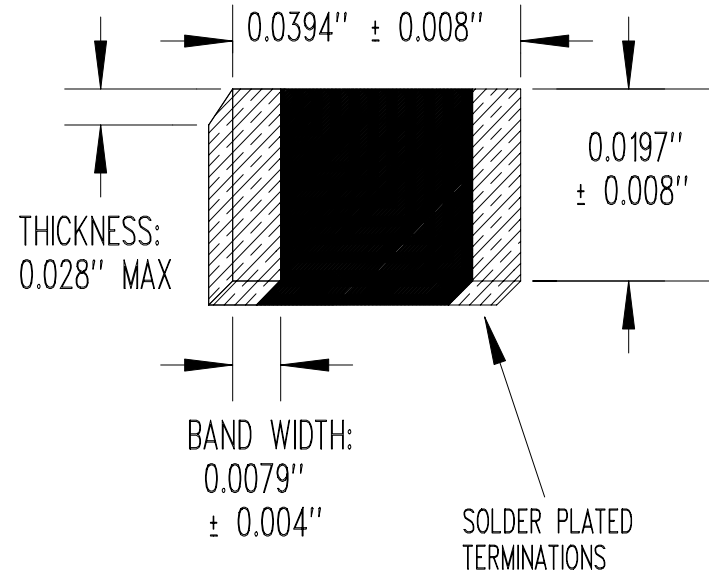
Tel: +86-755-8981 8866 Fax: +86-755-8427 6832

Email & Skype: info@chipsmall.com Web: www.chipsmall.com

Address: A1208, Overseas Decoration Building, #122 Zhenhua RD., Futian, Shenzhen, China



RESISTANCE/TEMPERATURE TABLE			
TEMP (°C)	RESIS (Ω)	TEMP (°C)	RESIS (Ω)
-40	3,815,134	45	41,378
-35	2,735,510	50	33,684
-30	1,982,147	55	27,571
-25	1,450,620	60	22,684
-20	1,071,672	65	18,757
-15	798,817	70	15,585
-10	600,499	75	13,008
-5	455,064	80	10,905
0	347,502	85	9,181
5	267,304	90	7,767
10	207,047	95	6,597
15	161,439	100	5,625
20	126,676	105	4,815
25	100,000	110	4,136
30	79,446	115	3,565
35	63,529	120	3,084
40	51,119	125	2,676



RESISTANCE @ +25°C = 100,000 Ω ± 5%
 BETA "β" (+25 TO +85°C) = 4,250°K NOMINAL
 POWER RATING = 40 mW
 OPERATING TEMPERATURE RANGE = -40 TO +125°C

SEE MANUFACTURING SPECIFICATION (LAYER 1)

NONE	RELEASE TO PRODUCTION	12/04/03	DD
REV	REVISION RECORD	DATE	APP

SCALE	NONE	U.S. SENSOR CORP. 1832 W. COLL INS AVE. ORANGE, CA . 92867 714-639-1000 www.ussensor.com
DRAWN BY	DAN DANKERT	
DATE	12/04/03	
REV	NONE	
LAYER	0 OF 2	
		THERMISTOR, NTC CHIP
		P/N RA104ROJ