



Chipsmall Limited consists of a professional team with an average of over 10 year of expertise in the distribution of electronic components. Based in Hongkong, we have already established firm and mutual-benefit business relationships with customers from,Europe,America and south Asia,supplying obsolete and hard-to-find components to meet their specific needs.

With the principle of “Quality Parts,Customers Priority,Honest Operation,and Considerate Service”,our business mainly focus on the distribution of electronic components. Line cards we deal with include Microchip,ALPS,ROHM,Xilinx,Pulse,ON,Everlight and Freescale. Main products comprise IC,Modules,Potentiometer,IC Socket,Relay,Connector.Our parts cover such applications as commercial,industrial, and automotives areas.

We are looking forward to setting up business relationship with you and hope to provide you with the best service and solution. Let us make a better world for our industry!



## Contact us

Tel: +86-755-8981 8866 Fax: +86-755-8427 6832

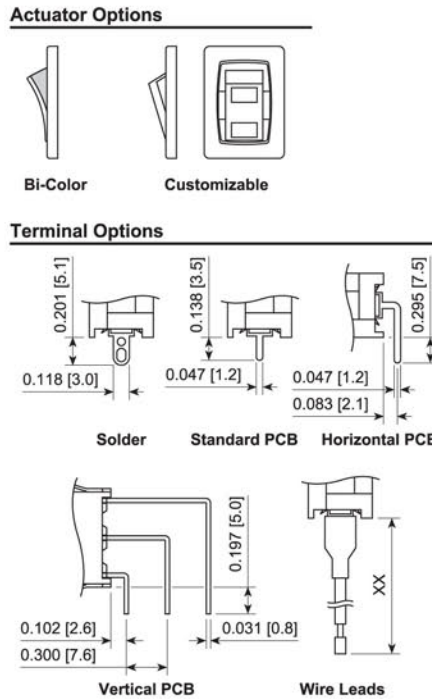
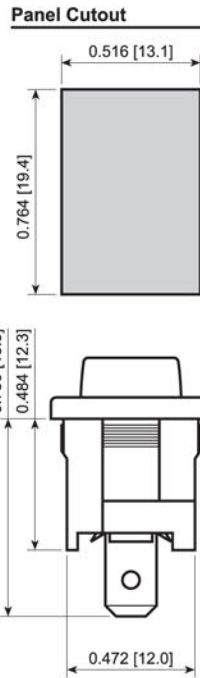
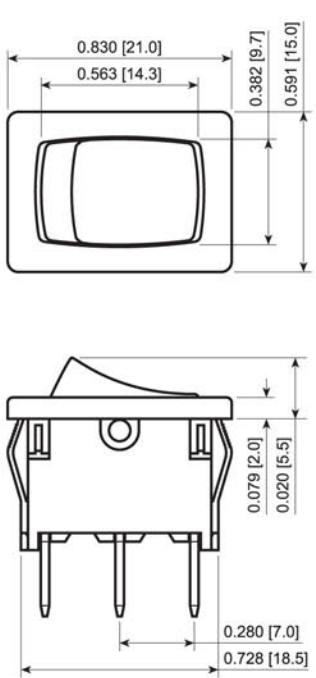
Email & Skype: info@chipsmall.com Web: www.chipsmall.com

Address: A1208, Overseas Decoration Building, #122 Zhenhua RD., Futian, Shenzhen, China





ROCKER



**FEATURES:**

- High Rating
- Snap in with Multiple terminal options
- Many Functions Available
- PVC Cap for Dust and Water Protection

**SPECIFICATIONS:**

**RATING:** RATING OPTION C:  
16A 125VAC [cURus]  
10(6)A 250V- 1E4 T85 [ENEC]  
6(4)A 250V- 5E4 T85 [ENEC]

**Rating Option 3:**  
11A 125VAC [cURus]  
5.5A 250VAC [cURus]  
4A 250V- 1E4 T55 [ENEC]

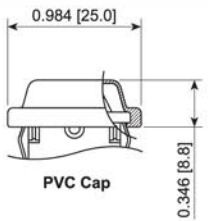
*Ratings of Illuminated Switches May Vary*

**TEMPERATURE:** -20°C to 55°C Min.  
**ELECTRICAL LIFE:** 10,000 Cycles  
**CONTACT RESISTANCE:** 30mΩ Max.  
**INSULATION RESISTANCE:** 500MΩ Min. at 500VDC  
**DIELECTRIC STRENGTH:** 1,000VAC for 1 Minute  
**INGRESS PROTECTION:** IP54 with PVC Cap

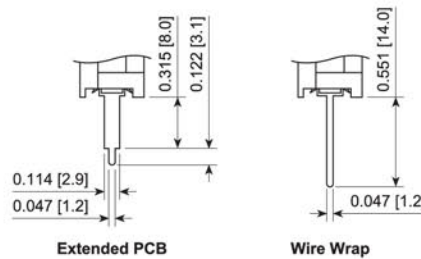
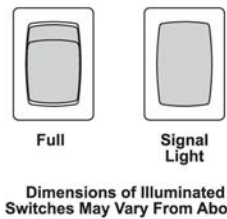
**MATERIALS:**

**BODY:** Polyamide 6/6, UL94 V-2  
**ACTUATOR:** Polyamide 6/6, UL94 V-2  
Polycarbonate, UL94 V-2  
**CONTACTS:** Silver Alloy  
**TERMINALS:** Silver Plated Copper

**Water Protection Option**



**Illumination Options**



RA111C1A00



RA111C1021-116



RA111C1213

RA113C1100  
ACC-P01

Series	Terminal	Function	Rating	Body Color	Actuator Color	Marking Color	Marking Type	Lens Style	Lens Color	Lamp Voltage
RA1 - Curved Actuator RA1C - Customizable Actuator	0 - Blank 1 - 4.8mm Tab (*) 2 - Solder (*) 3 - PCB Pin H - Horiz. PCB V - Vert. PCB A14 - Wire Wrap E08 - Ext. PCB Wxx - Wire Leads (xx in Inches)	0 - Signal / Blank 1 - Off-On (*) 3 - On-On 4 - Off-(On) 5 - On-Off-On A - On-(Off) C - On-Off-(On) D - (On)-Off-(On)	0 - Signal / Blank 3 - 11A 125V C - 16A 125V	1 - Black 2 - White 3 - Almond 4 - Grey 9 - Red	0 - Illuminated 1 - Black 2 - White 3 - Almond 4 - Grey 5 - Orange 7 - Blue 8 - Green 9 - Red	0 - None 1 - Black 2 - White 8 - Red	0 - None 1 - I/O Vert. 2 - ON/OFF/ON Vert. 3 - ON/OFF Vert. 4 - ON/OFF Horiz. 9 - I/O/II Horiz. S - I/O/III Vert. R - I/O Horiz.	1 - Full / Signal	0 - Clear 1 - Red 2 - Amber 3 - Green 4 - Blue 5 - Yellow	3 - 6V 4 - 12V 6 - 125V 7 - 250V

Notes:  
Not All Combinations are Available, Please Check with Sales.  
\* = Options Available with Illuminated Switches

Custom Colors and Markings Available Upon Request      For Illuminated Switches Only

**EXAMPLE PART NUMBERS:**

- RA11131100 1P Off-On  
Black Body/Actuator, No Marking
- RA11131121 1P Off-On  
Black Body/Actuator, I/O Vert.
- RA111C1100 1P Off-On  
Black Body/Actuator, No Marking
- RA11131121 1P Off-On  
Black Body/Actuator, I/O Vert.
- RA111C1021-116 1P Off-On  
Red Illum. Actuator, Black Body, I/O Vert.
- RA11331100 1P On-On  
Black Body/Actuator, No Marking
- RA11531100 1P On-Off-On  
Black Body/Actuator, No Marking
- RA11531122 1P On-Off-On  
Black Body/Actuator, ON/OFF/ON Vert.
- RA13131100 1P Off-On  
Black Body/Actuator, PCB Pins, No Marking
- RA1H331100 1P On-On  
Black Body/Actuator, Right Angle PCB Pins