



Chipsmall Limited consists of a professional team with an average of over 10 year of expertise in the distribution of electronic components. Based in Hongkong, we have already established firm and mutual-benefit business relationships with customers from,Europe,America and south Asia,supplying obsolete and hard-to-find components to meet their specific needs.

With the principle of “Quality Parts,Customers Priority,Honest Operation,and Considerate Service”,our business mainly focus on the distribution of electronic components. Line cards we deal with include Microchip,ALPS,ROHM,Xilinx,Pulse,ON,Everlight and Freescale. Main products comprise IC,Modules,Potentiometer,IC Socket,Relay,Connector.Our parts cover such applications as commercial,industrial, and automotives areas.

We are looking forward to setting up business relationship with you and hope to provide you with the best service and solution. Let us make a better world for our industry!



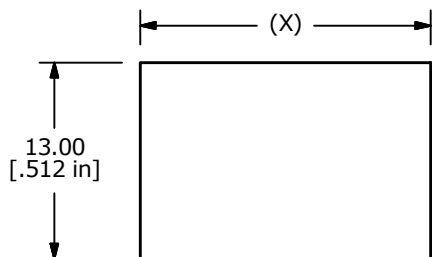
Contact us

Tel: +86-755-8981 8866 Fax: +86-755-8427 6832

Email & Skype: info@chipsmall.com Web: www.chipsmall.com

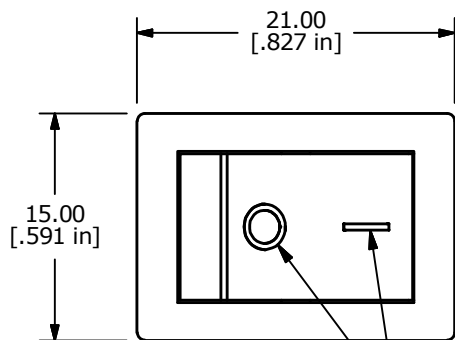
Address: A1208, Overseas Decoration Building, #122 Zhenhua RD., Futian, Shenzhen, China



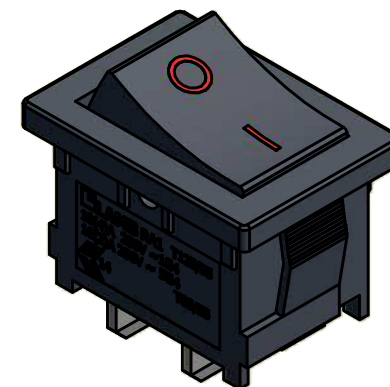


PANEL CUTOUT

PANEL THICKNESS	X
0.75 - 1.25	19.2
1.25 - 2.00	19.4
2.00 - 3.00	19.6



▲ GRAPHIC COLOR: RED



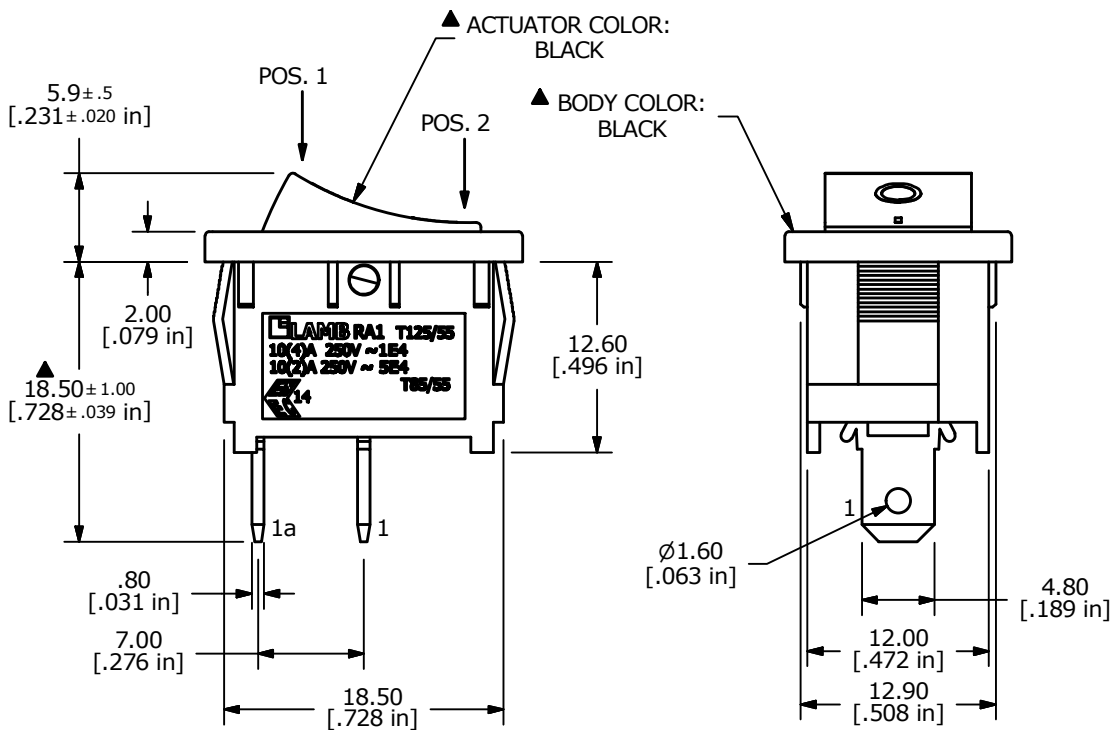
SWITCH FUNCTION	
POS. 1	POS. 2
OFF	ON
OPEN	1-1a



CIRCUIT: SPST

NOTE:

- DIMENSIONS IN MM [INCH]
- GENERAL TOLERANCE: X.X = ± 0.4
X.XX = ± 0.25
- TERMINAL NUMBERS FOR REF ONLY
- CONTACT MATERIAL: SILVER
- CONTACT RATINGS:
ANSI/UL 1054 AND CAN/CSA C22.2 NO. 55 (E194579):
16A @ 125VAC [UR, cUR]
10A @ 250VAC [UR, cUR]
1/3HP 125/250VAC [UR, cUR]
EN 61058-1:2002
10(4)A 250V~ 1E4 T125/55 [ENE14]
10(2)A 250V~ 5E4 T85/55 [ENE14]
- CONTACT RESISTANCE: 35mΩ MAX. @ 50VAC
- INSULATION RESISTANCE: 100MΩ MIN. @ 500VAC
- DIELECTRIC STRENGTH: 1,500VAC FOR 1 MINUTE
- ELECTRICAL LIFE: 6,000 CYCLES [UR, cUR]
10,000 CYCLES [ENE14: 10(4)a 250V~]
50,000 CYCLES [ENE14: 10(2)a 250V~]
- OPERATING TEMPERATURE: -20°C TO 105°C [UR, cUR]
-20°C TO 125°C [ENE14: 10(4)a 250V~]
-20°C TO 85°C [ENE14: 10(2)a 250V~]
- ▲ DENOTES CRITICAL PARAMETER
- 2011/65/EU (ROHS) COMPLIANT



REV	PCR NO	DESCRIPTION	DATE	BY
B	23426	REMOVED SEMKO RATING	6/28/18	MJR
A	22003	RELEASE FOR PRODUCTION	9/28/15	MW

TITLE RA111C1181				
SCALE	DATE	DR	DWG	REV
2:1	9/28/2015	MW	38-RA111C1181	B

THE INFORMATION CONTAINED IN THIS DOCUMENT IS PROPRIETARY TO E-SWITCH AND IS NOT TO BE COPIED OR TRANSFERRED