



Chipsmall Limited consists of a professional team with an average of over 10 year of expertise in the distribution of electronic components. Based in Hongkong, we have already established firm and mutual-benefit business relationships with customers from,Europe,America and south Asia,supplying obsolete and hard-to-find components to meet their specific needs.

With the principle of “Quality Parts,Customers Priority,Honest Operation,and Considerate Service”,our business mainly focus on the distribution of electronic components. Line cards we deal with include Microchip,ALPS,ROHM,Xilinx,Pulse,ON,Everlight and Freescale. Main products comprise IC,Modules,Potentiometer,IC Socket,Relay,Connector.Our parts cover such applications as commercial,industrial, and automotives areas.

We are looking forward to setting up business relationship with you and hope to provide you with the best service and solution. Let us make a better world for our industry!



Contact us

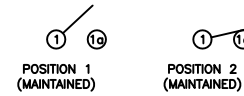
Tel: +86-755-8981 8866 Fax: +86-755-8427 6832

Email & Skype: info@chipsmall.com Web: www.chipsmall.com

Address: A1208, Overseas Decoration Building, #122 Zhenhua RD., Futian, Shenzhen, China



SCHEMATIC



SPECIFICATIONS

FUNCTION:
1P1T OFF-ON

RATINGS:
ANSI/UL 1054 and CAN/CSA C22.2 No. 55 (E194579):
16A 125VAC [UR, cUR]
10A 250VAC [UR, cUR]
1/3HP 125/250VAC [UR, cUR]

EN 61058-1:2002:
10(4)A 250V~ μ 1E4 T125/55 [ENEC14, SEMKO]
10(2)A 250V~ μ 5E4 T85/55 [ENEC14, SEMKO]

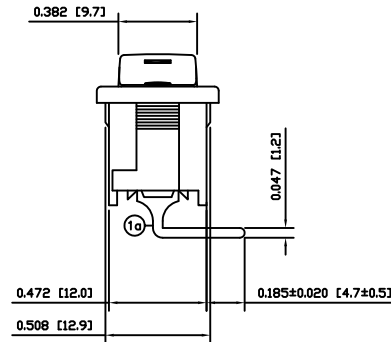
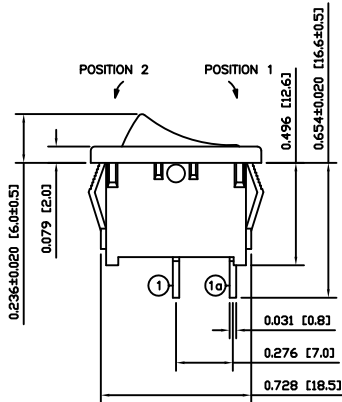
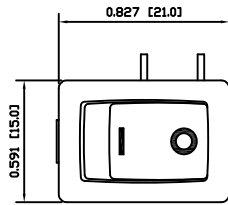
CONTACT RESISTANCE:
Initial: 35mΩ Max. at 50VAC

INSULATION RESISTANCE:
100MΩ Min. at 500VDC

DIELECTRIC STRENGTH:
1,500VAC For 1 Minute

ELECTRICAL LIFE:
6,000 Cycles [UR, cUR]
10,000 Cycles [ENEC14, SEMKO: 10(4)A 250V~]
50,000 Cycles [ENEC14, SEMKO: 10(2)A 250V~]

TEMPERATURE:
Operating: -20°C to 105°C [UR, cUR]
Operating: -20°C to 125°C [ENEC14, SEMKO: 10(4)A 250V~]
Operating: -20°C to 85°C [ENEC14, SEMKO: 10(2)A 250V~]



COLORS AND MARKINGS

BODY:
Black

ACTUATOR:
Black

MARKINGS:
1/O Horizontal (R)

MARKING COLOR:
White

MATERIALS

BODY:
Polyamide 6/6 (PA66), UL94 V-2

ACTUATOR:
Polyamide 6/6 (PA66), UL94 V-2

SPRING:
Steel

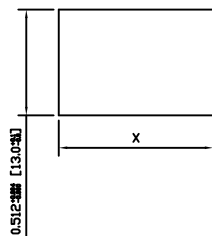
BALL:
Steel

MOBILE CONTACT:
Silver Alloy

CONTACTS:
Silver Alloy

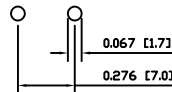
TERMINALS:
Silver Plated Copper

SUGGESTED PANEL CUTOUT



PANEL THICKNESS		X
0.030~0.049	[0.75~1.25]	0.756 [19.2]
0.049~0.079	[1.25~2.00]	0.764 [19.4]
0.079~0.118	[2.00~3.00]	0.772 [19.6]

SUGGESTED PCB CUTOUT



ACTUATOR	A	09/05/04	CAB
BODY	A	09/05/04	CAB
COLORS	A	09/05/04	CAB
MATERIALS	A	09/05/04	CAB
SPECIFICATIONS	B	09/06/13	CAB
REFERENCE	REV.	DATE	BY

THE INFORMATION CONTAINED IN THIS DOCUMENT IS PROPRIETARY TO E-SWITCH-LAMB INDUSTRIES AND IS NOT TO BE COPIED OR TRANSFERRED

A	INITIAL RELEASE	18773	10/01/14	CAB
REV.	DESCRIPTION	PCR	DATE	DRAWN BY

DIMENSIONS	
INCHES [MILLIMETERS]	
GENERAL TOLERANCES	
±0.008 [±0.2] / ±1'	
SCALE	PROJECTION
DRAWING NOT TO SCALE	1:1

RA1H1C112R

DRAWING NUMBER	DATE	REVISION
38-RA1H1C112R	JANUARY 14, 2010	A