



Chipsmall Limited consists of a professional team with an average of over 10 year of expertise in the distribution of electronic components. Based in Hongkong, we have already established firm and mutual-benefit business relationships with customers from,Europe,America and south Asia,supplying obsolete and hard-to-find components to meet their specific needs.

With the principle of “Quality Parts,Customers Priority,Honest Operation,and Considerate Service”,our business mainly focus on the distribution of electronic components. Line cards we deal with include Microchip,ALPS,ROHM,Xilinx,Pulse,ON,Everlight and Freescale. Main products comprise IC,Modules,Potentiometer,IC Socket,Relay,Connector.Our parts cover such applications as commercial,industrial, and automotives areas.

We are looking forward to setting up business relationship with you and hope to provide you with the best service and solution. Let us make a better world for our industry!



## Contact us

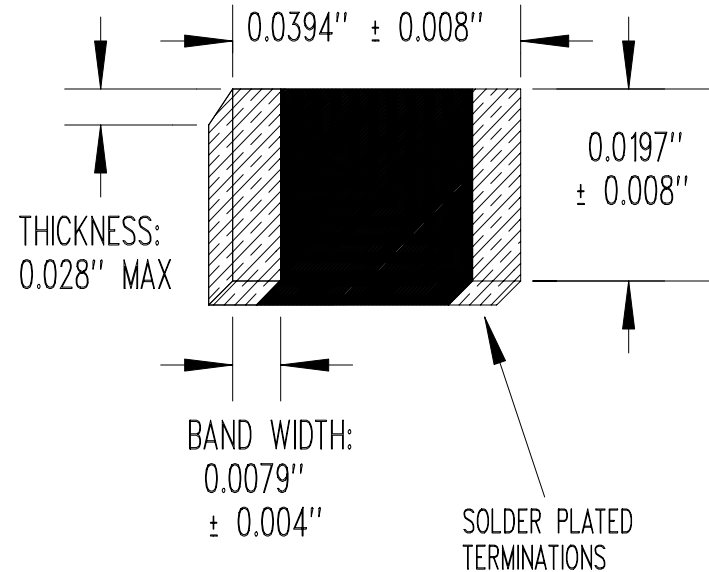
Tel: +86-755-8981 8866 Fax: +86-755-8427 6832

Email & Skype: info@chipsmall.com Web: www.chipsmall.com

Address: A1208, Overseas Decoration Building, #122 Zhenhua RD., Futian, Shenzhen, China



RESISTANCE/TEMPERATURE TABLE			
TEMP (°C)	RESIS (Ω)	TEMP (°C)	RESIS (Ω)
-40	214,028	45	1,661
-35	145,594	50	1,360
-30	100,659	55	1,121
-25	70,659	60	929.7
-20	50,315	65	776.2
-15	36,314	70	651.9
-10	26,543	75	550.8
-5	19,636	80	467.9
0	14,691	85	399.5
5	11,110	90	342.9
10	8,487	95	295.7
15	6,546	100	256.1
20	5,095	105	222.8
25	4,000	110	194.7
30	3,172	115	170.8
35	2,537	120	150.5
40	2,045	125	133.0



RESISTANCE @ +25°C = 4,000 Ω ± 5%  
 BETA "β" (+25 TO +85°C) = 4,100°K NOMINAL  
 POWER RATING = 40 mW  
 OPERATING TEMPERATURE RANGE = -40 TO +125°C

SEE MANUFACTURING SPECIFICATION (LAYER 1)

NONE	RELEASE TO PRODUCTION	12/04/03	DD
REV	REVISION RECORD	DATE	APP

SCALE NONE	<b>U.S. SENSOR CORP.</b> 1832 W. COLLINS AVE. ORANGE, CA 92867 714-639-1000 www.ussensor.com
DRAWN BY DAN DANKERT	
DATE 12/04/03	
REV. NONE	
LAYER 0 OF 2	
THERMISTOR, NTC CHIP	
P/N RA402LOJ	