



Chipsmall Limited consists of a professional team with an average of over 10 year of expertise in the distribution of electronic components. Based in Hongkong, we have already established firm and mutual-benefit business relationships with customers from,Europe,America and south Asia,supplying obsolete and hard-to-find components to meet their specific needs.

With the principle of “Quality Parts,Customers Priority,Honest Operation,and Considerate Service”,our business mainly focus on the distribution of electronic components. Line cards we deal with include Microchip,ALPS,ROHM,Xilinx,Pulse,ON,Everlight and Freescale. Main products comprise IC,Modules,Potentiometer,IC Socket,Relay,Connector.Our parts cover such applications as commercial,industrial, and automotives areas.

We are looking forward to setting up business relationship with you and hope to provide you with the best service and solution. Let us make a better world for our industry!



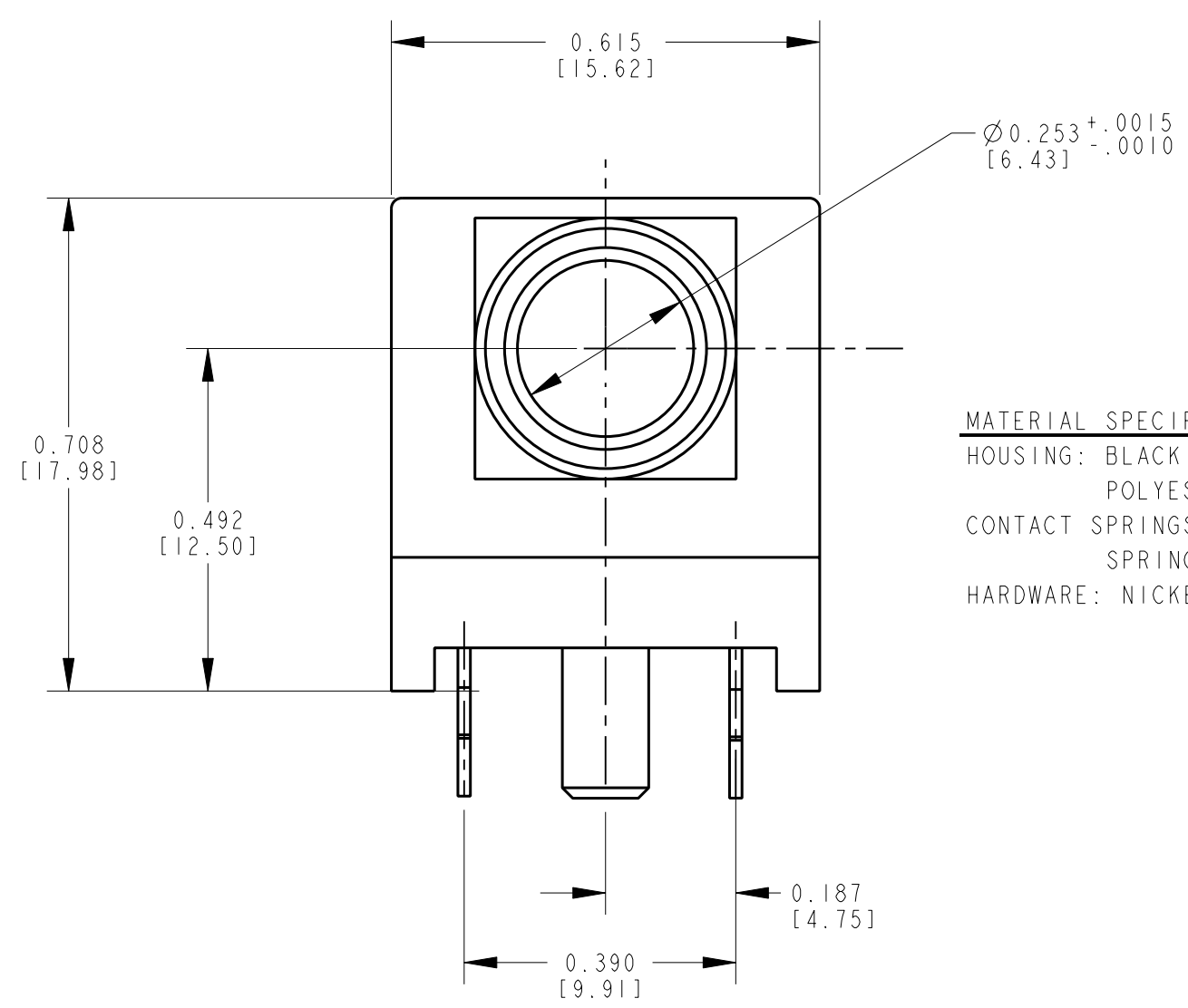
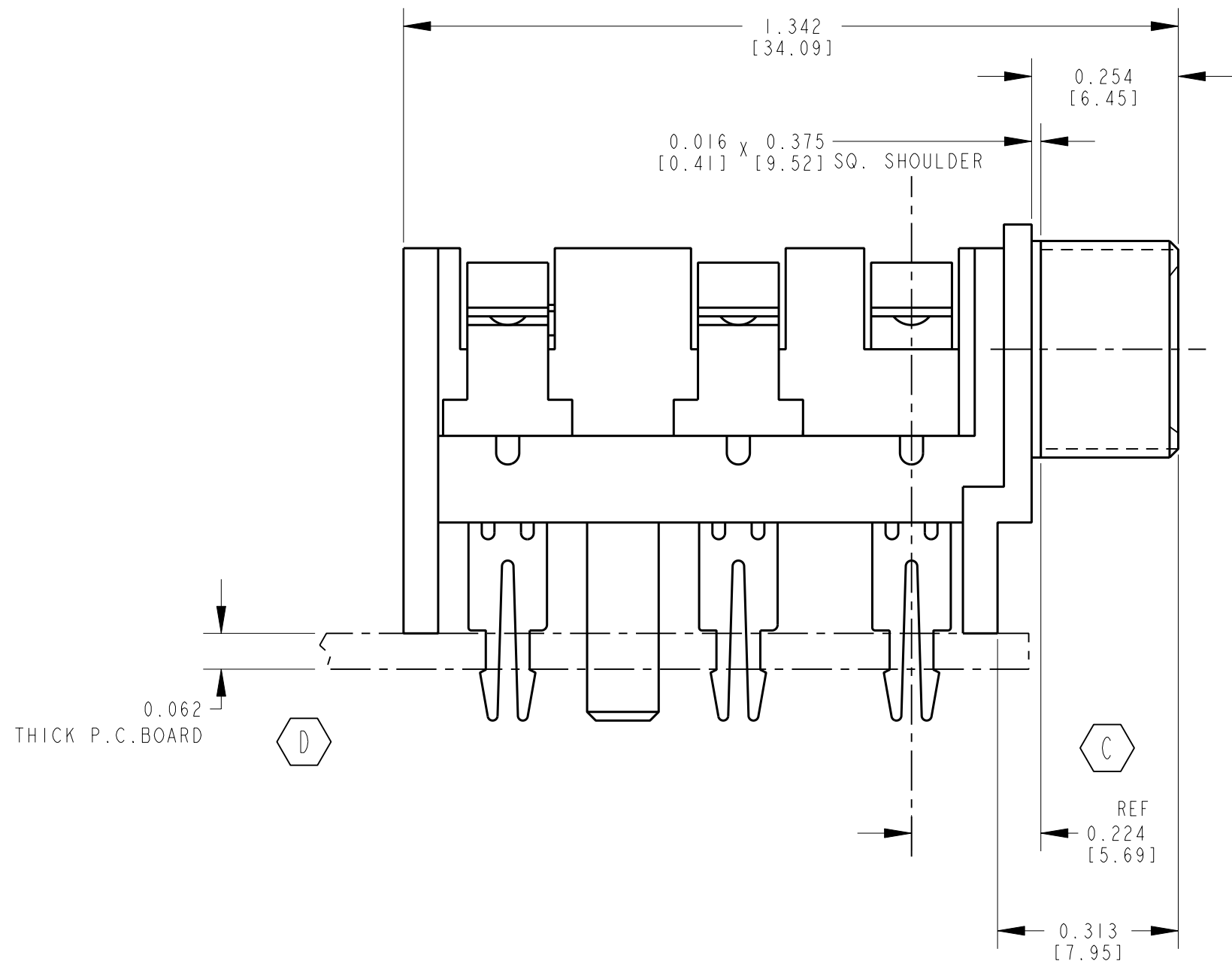
## Contact us

Tel: +86-755-8981 8866 Fax: +86-755-8427 6832

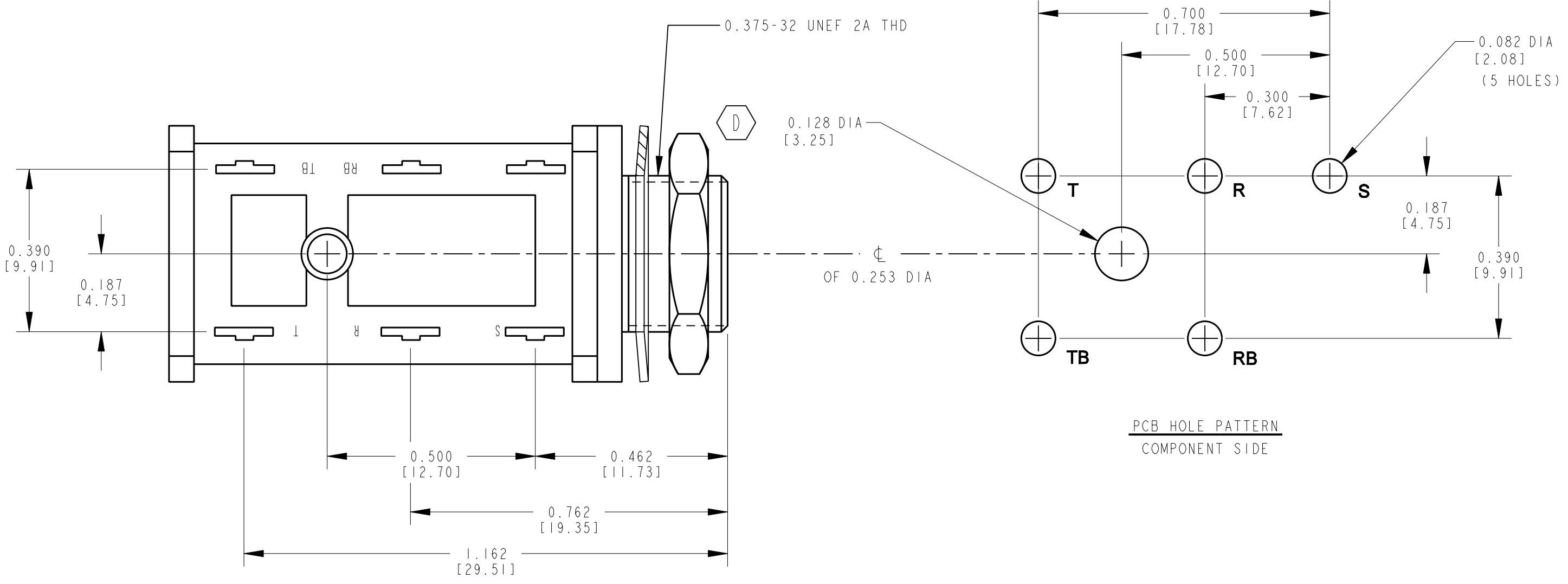
Email & Skype: info@chipsmall.com Web: www.chipsmall.com

Address: A1208, Overseas Decoration Building, #122 Zhenhua RD., Futian, Shenzhen, China





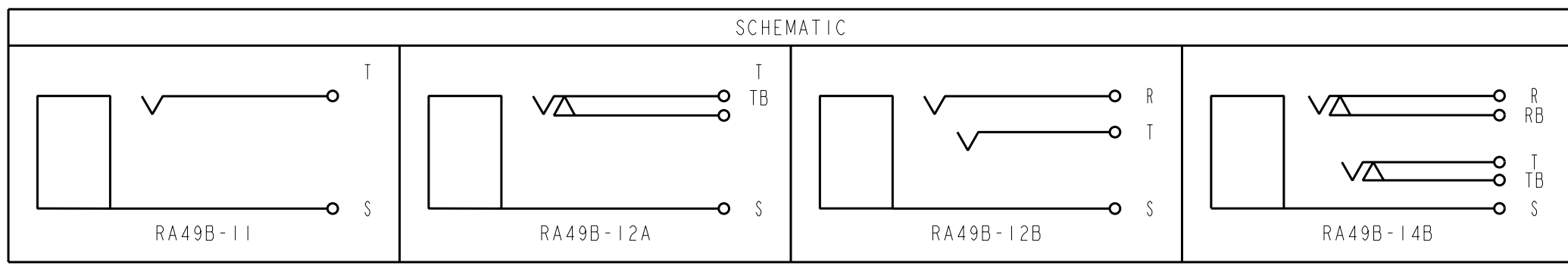
**MATERIAL SPECIFICATIONS**  
 HOUSING: BLACK THERMOPLASTIC  
 POLYESTER, 94V0  
 CONTACT SPRINGS: TIN PLATED  
 SPRING TEMP. NICKEL SILVER.  
 HARDWARE: NICKEL PLATED BRASS.



PCB HOLE PATTERN  
 COMPONENT SIDE

CUSTOMER DRAWING

CAD/CAM DWG. NO.  
 s.ra49b\_cd  
 SHEET 1 OF 1



REVISIONS				UNLESS OTHERWISE SPECIFIED				FINISH				MATERIAL			
E	ECO #19704	3-24-95	RC GHJ	1. ALL DIMENSIONS IN INCHES 2. DECIMAL DIMENSIONS ±.005 3. FRACTIONAL DIMENSIONS ±1/64 4. ANGLES ±1/2° 5. ALL DIA'S CONCENTRIC WITHIN .005 T.I.R. 6. REMOVE ALL BURRS 7. MAKE NO DIMENSIONAL ALLOWANCES FOR APPLIED FINISHES, I.E., PLATING, PAINTING, ETC. 8. HOLES ON THE SAME CENTERLINE MUST BE ALIGNED WITHIN ±.002				THIS DRAWING DESCRIBES A DESIGN CONSIDERED PROPRIETARY IN NATURE, DEVELOPED AND MANUFACTURED BY SWITCHCRAFT INC. AND IS RELEASED ON A CONFIDENTIAL BASIS FOR IDENTIFICATION PURPOSE ONLY.				SCALE 1 = 0.25			
D	ECO#15763	2-16-90	LR VL	SIZE				MATERIAL				SPEC. NO.			
C	ECO 15105	10-11-89	TW VL	WIDTH				MULT				LBS./M			
B	RELEASED TO PROD	4-21-89	RLD AS	TEMPER				DATE DRAWN				BY			
DA	PRELIM CUST DWG	3-11-88	RLD	NAME				3-11-88				RDL			
ISSUE	CHANGE NO.	DATE	BY	DO NOT SCALE DRAWING				JACK ASSY				PART NO.			
								(INSULATED BUSHING)				RA49B-SER			

