



Chipsmall Limited consists of a professional team with an average of over 10 year of expertise in the distribution of electronic components. Based in Hongkong, we have already established firm and mutual-benefit business relationships with customers from,Europe,America and south Asia,supplying obsolete and hard-to-find components to meet their specific needs.

With the principle of “Quality Parts,Customers Priority,Honest Operation,and Considerate Service”,our business mainly focus on the distribution of electronic components. Line cards we deal with include Microchip,ALPS,ROHM,Xilinx,Pulse,ON,Everlight and Freescale. Main products comprise IC,Modules,Potentiometer,IC Socket,Relay,Connector.Our parts cover such applications as commercial,industrial, and automotives areas.

We are looking forward to setting up business relationship with you and hope to provide you with the best service and solution. Let us make a better world for our industry!



Contact us

Tel: +86-755-8981 8866 Fax: +86-755-8427 6832

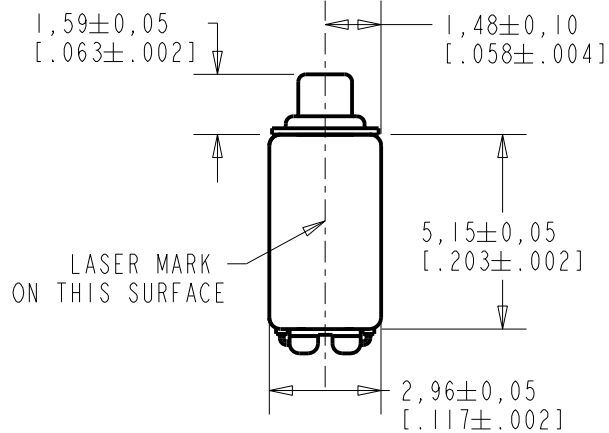
Email & Skype: info@chipsmall.com Web: www.chipsmall.com

Address: A1208, Overseas Decoration Building, #122 Zhenhua RD., Futian, Shenzhen, China

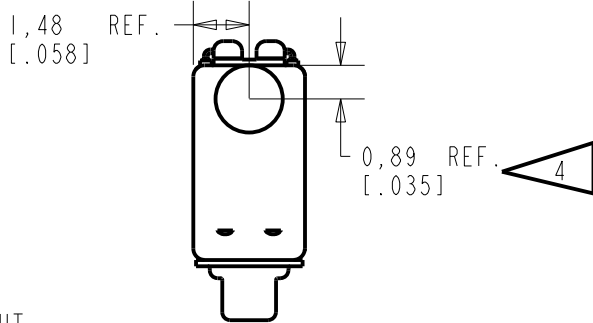
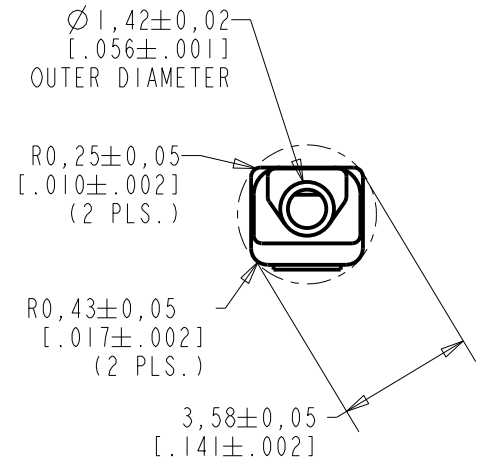
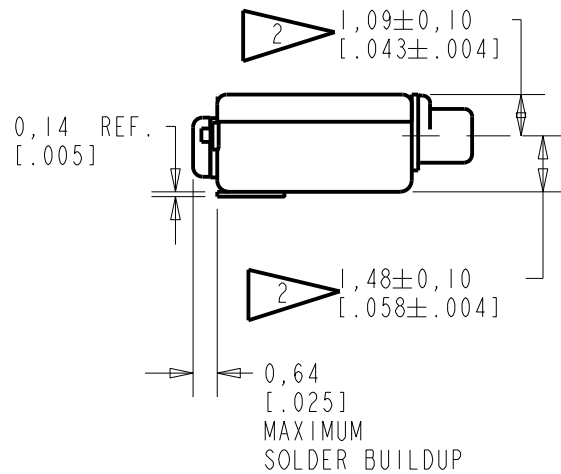
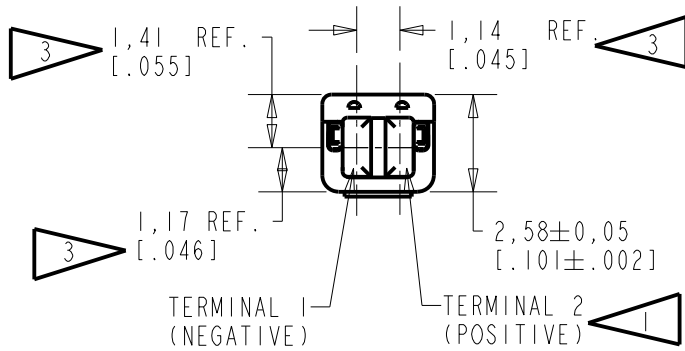


RAB-32257-000

SHT 1.1



- NOTE:
- 1 A POSITIVE GOING VOLTAGE AT TERMINAL 2, RELATIVE TO TERMINAL 1, CAUSES AN INCREASE IN PRESSURE AT THE SOUND OUTLET.
 - 2 LOCATED FROM TWO SURFACES FOR CUSTOMER CONVENIENCE. ONLY APPLICABLE FROM ONE SURFACE, NOT TO BE USED TOGETHER.
 - 3 DIMENSION TO APPROXIMATE CENTER OF TERMINAL PAD.
 - 4 DAMPER SURFACE MUST BE KEPT CLEAN AND UNOBSTRUCTED TO ACHIEVE SPECIFIED PERFORMANCE.



SCALE 2:1
NOMINAL WEIGHT
.17 GRAMS

DIMENSIONS IN MILLIMETERS [INCHES]

Revision	C.O. #	Implementation Date	RELEASE LEVEL	REVISION
			Active	A
A	CI0115824P	5-22-14		

SCALE: 5:1		DR. BY	DATE
DO NOT SCALE DRAWING		SSUN	5-22-14
TITLE: RECEIVER		CK. BY	DATE
RAB-32257-000		GJP	5-22-14
SHT 1.1		APP. BY	DATE
OUTLINE DRAWING		GJP	5-22-14

KNOWLES ELECTRONICS
ITASCA, ILLINOIS U.S.A.

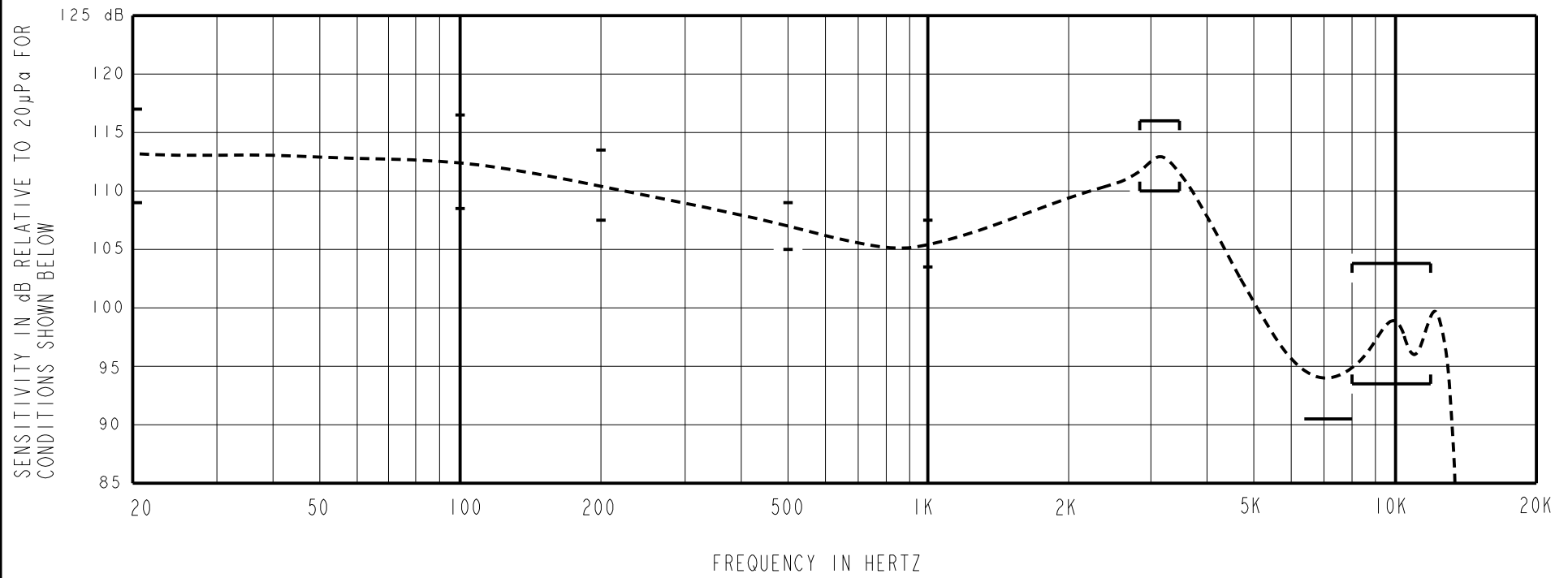
THIS IS A MAGNETIC BALANCED ARMATURE RECEIVER INTENDED FOR USE IN EARPHONE APPLICATIONS. THE RECEIVER HAS A BACK VENT.

NO DAMPING

RAB-32257-000

SHEET 2.1

CONSTANT VOLTAGE DRIVE RESPONSE



ACOUSTICAL

SENSITIVITY DEVICE WILL PRODUCE THE SPL LISTED BELOW WITH THE TEST CONDITIONS DESCRIBED IN TABLE 3. NOMINAL SENSITIVITY AT 1 kHz IS dB RELATIVE TO 20µPa. ALL OTHER VALUES IN dB RELATIVE TO THE SENSITIVITY AT 1 kHz.

LIMIT TYPE	FREQUENCY (Hz)	MINIMUM	NOMINAL	MAXIMUM
REL	20	+3.5	+7.5	+11.5
REL	100	+3.0	+7.0	+11.0
REL	200	+2.0	+5.0	+8.0
REL	500	-0.5	+2.0	+3.5
REF	1000	-2.0	105.5	+2.0
PEAK	2850-3450	+6.5	+9.5	+12.5
VALLEY	6400-8000	-15.0	---	---
PEAK	8000-11000	-12.0	-7.0	-2.0

TABLE 1.

TOTAL HARMONIC DISTORTION DEVICE WILL NOT EXCEED TOTAL HARMONIC DISTORTION LEVELS LISTED BELOW.

FREQUENCY (Hz)	DRIVE (Vrms)	LIMIT (%)
50	0.115	5.8
1/3 PEAK 1 (TYP. 1050)	0.115	6.8
1/2 PEAK 1 (TYP. 1575)	0.115	4.8
1/3 PEAK 1 (TYP. 1050)	0.324	9.5
1/2 PEAK 1 (TYP. 1575)	0.324	9.5

TABLE 2.

TEST CONDITIONS

NOMINAL SOURCE VOLTAGE	0.115 Vrms
SOURCE IMPEDANCE	< 1 Ω
TUBING	TUBELESS, KNOWLES TOOL NUMBER T8688
COUPLER CAVITY	IEC 60318-4 (IEC 711)

TABLE 3.

ELECTRICAL

DC RESISTANCE	22.0 Ω ±10%
IMPEDANCE @ 500 Hz	33.0 Ω ±15%
IMPEDANCE @ 1 kHz	48.0 Ω ±15%
INDUCTANCE @ 500 Hz	7.8 mH TYPICAL

TABLE 4.

ISOLATION: THE CASE WILL BE ELECTRICALLY ISOLATED FROM THE COIL CIRCUIT

MECHANICAL

PORT LOCATION: 12C

SOLDER TYPE: ROHS COMPLIANT
SAC305

TEMPERATURE

OPERATING: SENSITIVITY WILL NOT VARY MORE THAN +1/-3 dB FROM 0°C TO 63°C
STORAGE: -40°C TO 63°C

KNOWLES ELECTRONICS
ITASCA, ILLINOIS U.S.A.

Revision	C.O. #	Implementation Date	RELEASE LEVEL	REVISION
A	C10115824P	5-22-14	Design	1

WHEN TEST LIMITS ARE USED TO ESTABLISH INCOMING INSPECTION ACCEPTANCE/REJECTION CRITERIA, CORRELATION OF TEST EQUIPMENT WITH KNOWLES IS ALSO REQUIRED FOR ELIMINATION OF EQUIPMENT AND TEST METHOD VARIATION		DR. BY	DATE
TITLE: RECEIVER PERFORMANCE SPECIFICATION		SSUN	5-22-14
		GJP	5-22-14
RAB-32257-000 SHT 2.1		APP. BY	DATE
		GJP	5-22-14