



Chipsmall Limited consists of a professional team with an average of over 10 year of expertise in the distribution of electronic components. Based in Hongkong, we have already established firm and mutual-benefit business relationships with customers from,Europe,America and south Asia,supplying obsolete and hard-to-find components to meet their specific needs.

With the principle of “Quality Parts,Customers Priority,Honest Operation,and Considerate Service”,our business mainly focus on the distribution of electronic components. Line cards we deal with include Microchip,ALPS,ROHM,Xilinx,Pulse,ON,Everlight and Freescale. Main products comprise IC,Modules,Potentiometer,IC Socket,Relay,Connector.Our parts cover such applications as commercial,industrial, and automotives areas.

We are looking forward to setting up business relationship with you and hope to provide you with the best service and solution. Let us make a better world for our industry!



Contact us

Tel: +86-755-8981 8866 Fax: +86-755-8427 6832

Email & Skype: info@chipsmall.com Web: www.chipsmall.com

Address: A1208, Overseas Decoration Building, #122 Zhenhua RD., Futian, Shenzhen, China



Features

LED DRIVER

- 25W Class II AC-DC LED Power Supply
- 350, 500, 700, 1050mA or 2100mA Output
- Active Power Factor Correction >0.90
- Efficiency up to 81%
- IP67 Certified
- 3 in 1 Dimming

LIGHTLINE
AC/DC-Converter
with 5 year Warranty

RECOM

25 Watt PFC Single Output



UL8750 Certified
EN61347 Certified
EN55015 Certified
EN61547 Certified

RACD25-A

Selection Guide

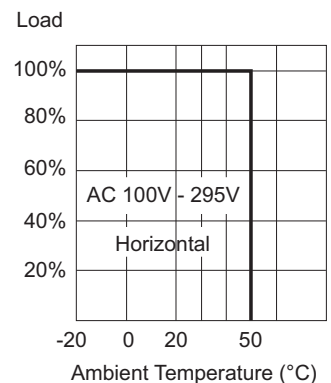
Part Number	Rated Power (W)	Output Current (mA)	Output Voltage (VDC)	Efficiency (typ.) (%)
RACD25-350A	20	350	48 - 57	79
RACD25-500A	24	500	36 - 48	81
RACD25-700A	25.2	700	24 - 36	80
RACD25-1050A	25.2	1050	12 - 24	80
RACD25-2100A	25.2	2100	9 - 12	79

Specifications (measured at 240VAC and 25°C ambient temperature)

Input Voltage Range	90-305 VAC	
Input Frequency Range	47-63Hz	
Power Factor	Full Load, 277VAC	>0.90
	Full Load, 230VAC	>0.92
	Full Load, 110VAC	>0.98
AC Input Current	110VAC	0.4A
	230VAC	0.2A
Inrush Current (Max.)	264VAC	Cold Start 50A
Leakage Current	230VAC	<0.25mA
Output Current Accuracy (includes Line Regulation, Load Regulation and set-up tolerance)	±5%	
Isolation Voltage	3.75kVAC / 1 minute	
Short Circuit Protection	Hiccup mode & recovers after fault condition removed	
Over Voltage Protection	115% - 135% Output Voltage	auto-recovery
Over Temperature Protection	Thermistor	105°C ± 10°C
	Type	Latch Mode
Dimming Control:	PWM	1<Adj<10V(500Hz - 3kHz)
	Analogue	control by external voltage 1-10VDC
	Resistance	10K - 100KΩ
Set Up Time	Full Load, 120VAC	2 sec
Vibration	10-500Hz, 2G, 60 Min. along X, Y and Z	
Storage Humidity	10% - 95% RH	
Operating Humidity	20% - 95% RH Non-Condensing	
Weight	384g	
Dimension (LxBxH)	110 x 73.5 x 33mm	
Operating Temperature Range	Full load	-20°C to +50°C
(free air convection 10LFM)	Case Temperature	85°C ± 10°C
Storage Temperature	-40°C to +80°C	
IP Rating	IP67	
Isolation Resistance	500VDC	100MΩ
MTBF (+25°C)	using MIL-HDBK 217F	200 x 10 ³ hours

continued on next page

Derating-Graph (Ambient Temperature)



Note:

All LED Drivers may not be used without a load. They must be switched on the primary side only. Noncompliance may damage the LED or reduce its lifetime.

Refer to Application Notes

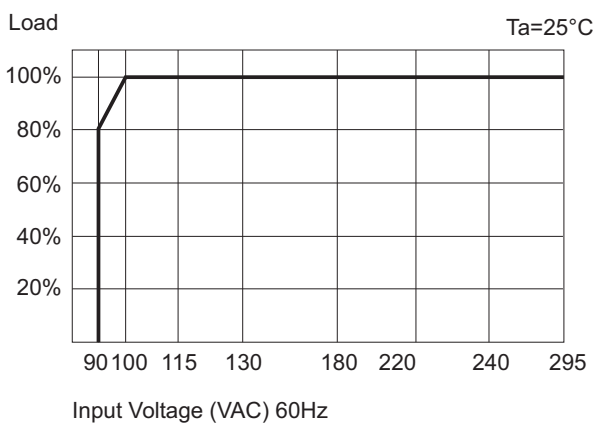
Specifications (measured at 240VAC and 25°C ambient temperature)

Certifications:

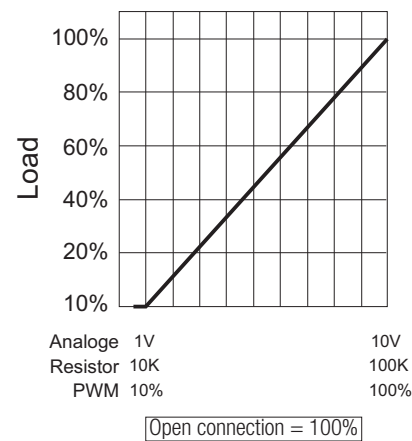
UL Standards	Report: E340696	UL8750 (based on) UL1310
Safety Standards	Report: P201403013	EN61347-1; EN61347-2-13
Emission	Report: HA130831-SACE	EN55015, Class B IEC61000-3-2 IEC61000-3-3
FCC	Report: HA130831-SAFD	Part 15, Class B
EMC	Report: HA130831-SACE	IEC61000-4-2, 3, 4, 5, 6, 8, 11
Immunity		EN61547
IP67	Report: 14022002	IEC/EN 60598-1 IEC/EN 60529

Technical Characteristic

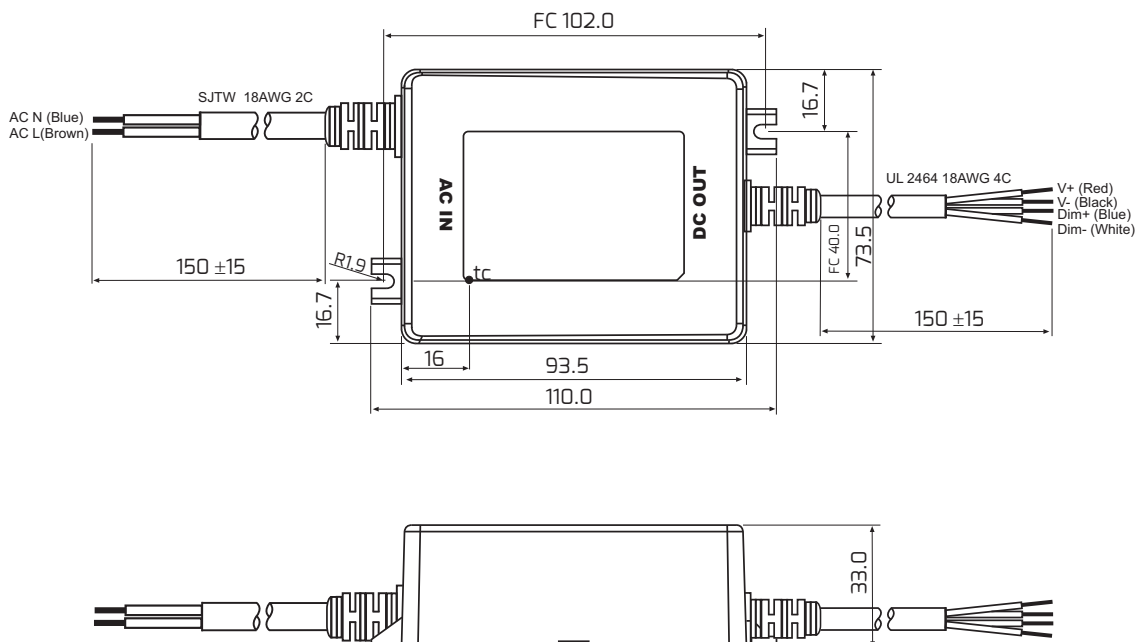
Load vs. Input Voltage



Dimming Curve



Package Style & Pinning



The product information and specifications are subject to change without prior notice. All products are designed for non-safety critical commercial and industrial applications. The Buyer agrees to implement safeguards that anticipate the consequences of any failures that might cause harm, loss of life and/or damage property.