



Chipsmall Limited consists of a professional team with an average of over 10 year of expertise in the distribution of electronic components. Based in Hongkong, we have already established firm and mutual-benefit business relationships with customers from,Europe,America and south Asia,supplying obsolete and hard-to-find components to meet their specific needs.

With the principle of "Quality Parts,Customers Priority,Honest Operation,and Considerate Service",our business mainly focus on the distribution of electronic components. Line cards we deal with include Microchip,ALPS,ROHM,Xilinx,Pulse,ON,Everlight and Freescale. Main products comprise IC,Modules,Potentiometer,IC Socket,Relay,Connector.Our parts cover such applications as commercial,industrial, and automotives areas.

We are looking forward to setting up business relationship with you and hope to provide you with the best service and solution. Let us make a better world for our industry!



Contact us

Tel: +86-755-8981 8866 Fax: +86-755-8427 6832

Email & Skype: info@chipsmall.com Web: www.chipsmall.com

Address: A1208, Overseas Decoration Building, #122 Zhenhua RD., Futian, Shenzhen, China



Features

LED DRIVER

- 25W Class II AC-DC LED Power Supply
- 350mA, 700mA, 1050mA Output
- Active Power Factor Correction >0.90
- Efficiency to 85%
- EN and UL

Selection Guide

Part Number	Rated Power (W)	Output Current (mA)	Output Voltage (VDC)	Efficiency (typ.)
RACD25-500	25	500	42 - 52	82%
RACD25-700	25	700	21 - 36	85%
RACD25-1050	25	1050	16 - 24	84%
RACD25-1400	25	1400	12-18	83%

Specifications (measured at 230VAC and 25°C ambient temperature)

Input Voltage Range	90-295 VAC or 127-417 VDC	
Input Frequency Range	47-63Hz	
Power Factor	Full Load, 240VAC	>0.90
	Full Load, 115VAC	>0.98
Current Accuracy	700mA Version	±7%
	others	±8%
AC Input Current	120VAC	0.4A
	240VAC	0.2A
Inrush Current (<2ms)	264VAC	Cold Start 20A
Isolation Voltage	3.75kVAC	
Short Circuit Protection	Continuous	
Over Voltage Protection	110% - 150%	
Over Temperature Protection	Rth Type	Internal Thermistor Auto-Recovery Mode
Vibration	10-500Hz	2G for 60 min. each along X, Y, Z axes
Storage Humidity	10% - 95% RH	
Operating Humidity	20% - 95% RH Non-Condensing	
Weight	220g	
Dimension	174.5 x 30.5 x 25mm	
Operating Temperature	-20°C to +50°C	
Storage Temperature	-40°C to +80°C	
Ripple & Noise	3V max.	
IP Rating	IP65	
Isolation Resistance	100MΩ / 500VDC at 25°C	
Safety Standards	EN61347-1 EN61347-2-13 UL8750 EN61000-3-2 Class C EN61000-4-2,3,4,5,6,11 EN61547 EN55015 FCC15	
MTBF (+25°C)	using MIL-HDBK 217F	200 x 10 ³ hours min.

RACD25

LIGHTLINE
AC/DC-Converter
with 5 year Warranty

RECOM

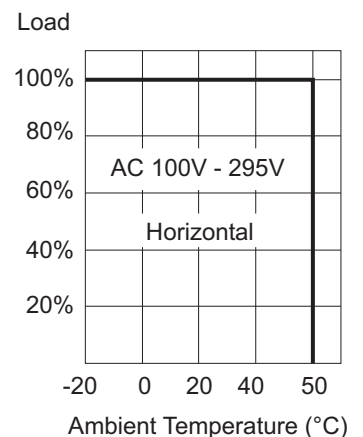
**25 Watt PFC
Single
Output**



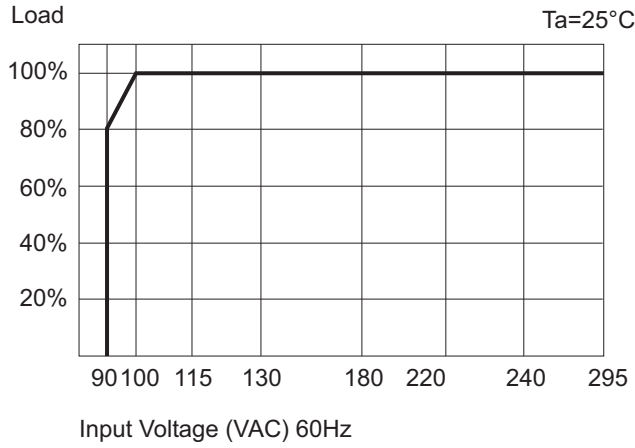
**UL 8750 Certified
EN 61347 Certified**

RACD25

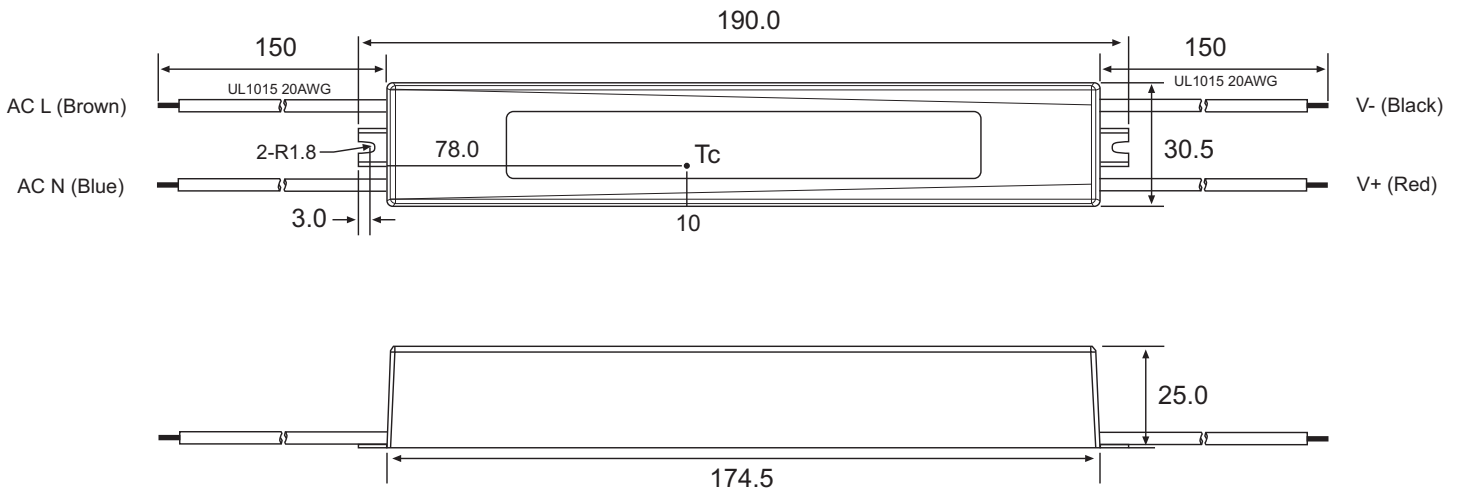
Derating-Graph
(Ambient Temperature)



Typical Characteristics



Package Style & Pinning



RACD25