



Chipsmall Limited consists of a professional team with an average of over 10 year of expertise in the distribution of electronic components. Based in Hongkong, we have already established firm and mutual-benefit business relationships with customers from,Europe,America and south Asia,supplying obsolete and hard-to-find components to meet their specific needs.

With the principle of “Quality Parts,Customers Priority,Honest Operation,and Considerate Service”,our business mainly focus on the distribution of electronic components. Line cards we deal with include Microchip,ALPS,ROHM,Xilinx,Pulse,ON,Everlight and Freescale. Main products comprise IC,Modules,Potentiometer,IC Socket,Relay,Connector.Our parts cover such applications as commercial,industrial, and automotives areas.

We are looking forward to setting up business relationship with you and hope to provide you with the best service and solution. Let us make a better world for our industry!



## Contact us

Tel: +86-755-8981 8866 Fax: +86-755-8427 6832

Email & Skype: info@chipsmall.com Web: www.chipsmall.com

Address: A1208, Overseas Decoration Building, #122 Zhenhua RD., Futian, Shenzhen, China



## SUMMARY

### # Wires

Low	0
High	0
Coax	1
Triax	0
Quad	0
Fiber	0
Fluidic	0



*Image is for illustrative purpose only*

### Download

[Request a quote](#)

[Catalog](#)

Series	00
Termination type	Coupler/adaptor/bridge
IP rating	50
Cable Ø	0.00 - 0.00 mm
Matching parts	
Status	
Alternative part	

## TECHNICAL DETAILS

### Mechanics

Shell Style/Model	RAD*: Fixed coupler, nut fixing
Keying	Circular (can rotate)
Housing Material	Brass (chrome plated) shell and collet nut, nickel plated brass latch sleeve and mid pieces
Cable Fixing	∅ 0 - 0 mm
Variant	

### Performance

Configuration	0.25 : 1 Coax (50 Ohm)
Insulator	T: PTFE
Rated Current	4 Amps

### Specifications

Contact Type: Coaxial 50 Ohm  
Max. Matings: 500  
Contact Retention: 18 N  
Contact Dia.: 0.7 mm (0.03in)  
Vtest: 2100 V (AC), 3000 V (DC)  
□

Impedance: 50 Ohm  
VSWR:  $1.09 + 0.11 * f/\text{GHz}$

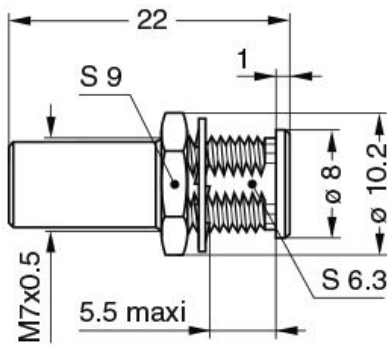
## Others

Endurance (Shell): 5000 mating cycles  
F ret (min): 100 N  
IP Rating: 50

---

# DRAWINGS

## Draws



## Dimensions

	A	B	E	L	M	S1	S2	e
mm.	8	10.3	5.5	22	1	6.3	9	M7x0.5
in.	0,31	0,41	0,22	0,87	0,04	0,25	0,35	

---

# RECOMMENDED BY LEMO

## Tools

Crimp Tool: DPC.91.701.V

## Cables