



Chipsmall Limited consists of a professional team with an average of over 10 year of expertise in the distribution of electronic components. Based in Hongkong, we have already established firm and mutual-benefit business relationships with customers from,Europe,America and south Asia,supplying obsolete and hard-to-find components to meet their specific needs.

With the principle of "Quality Parts,Customers Priority,Honest Operation,and Considerate Service",our business mainly focus on the distribution of electronic components. Line cards we deal with include Microchip,ALPS,ROHM,Xilinx,Pulse,ON,Everlight and Freescale. Main products comprise IC,Modules,Potentiometer,IC Socket,Relay,Connector.Our parts cover such applications as commercial,industrial, and automotives areas.

We are looking forward to setting up business relationship with you and hope to provide you with the best service and solution. Let us make a better world for our industry!



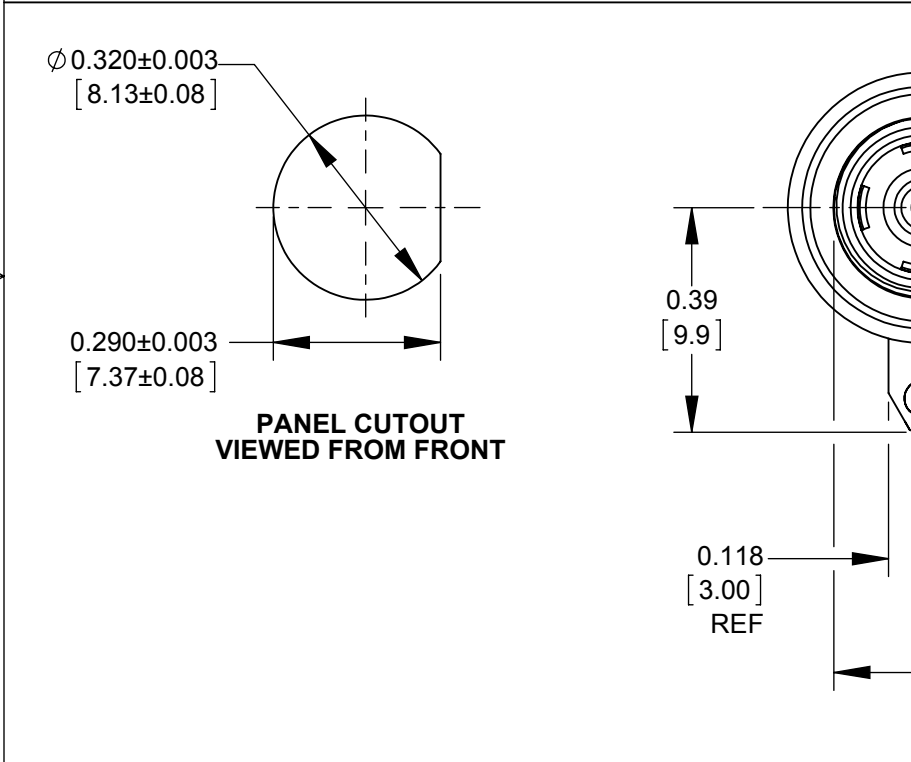
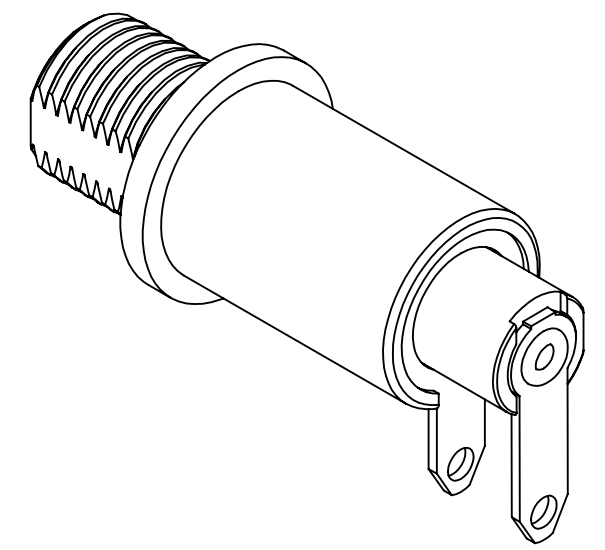
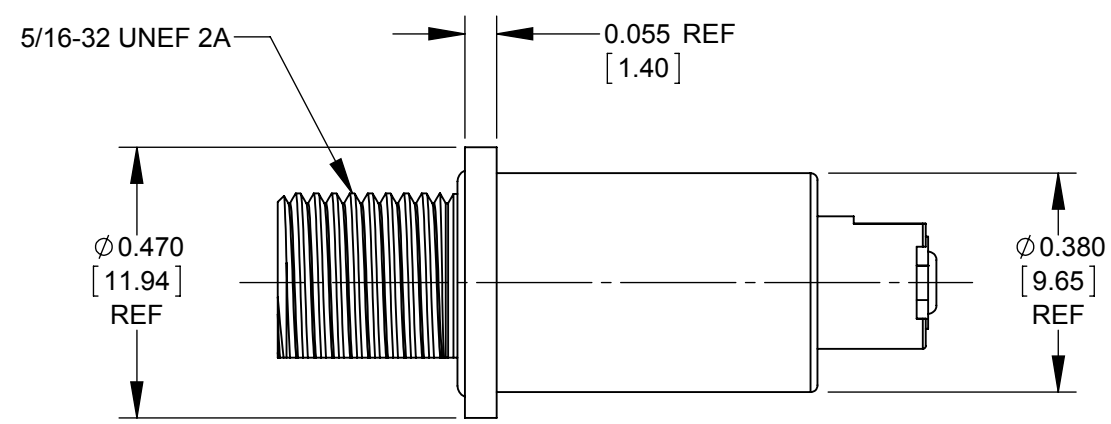
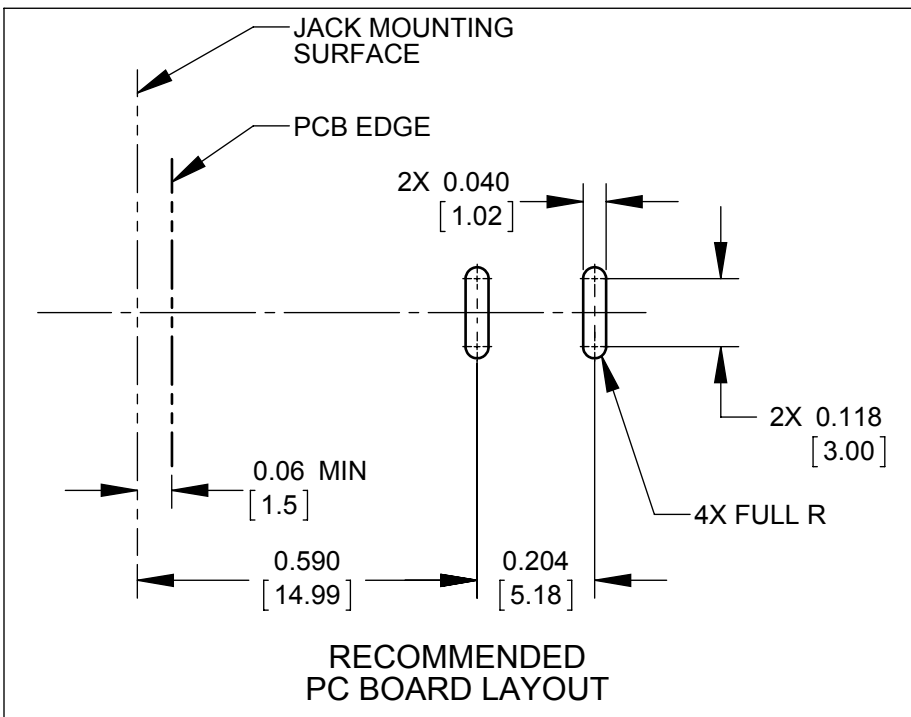
Contact us

Tel: +86-755-8981 8866 Fax: +86-755-8427 6832

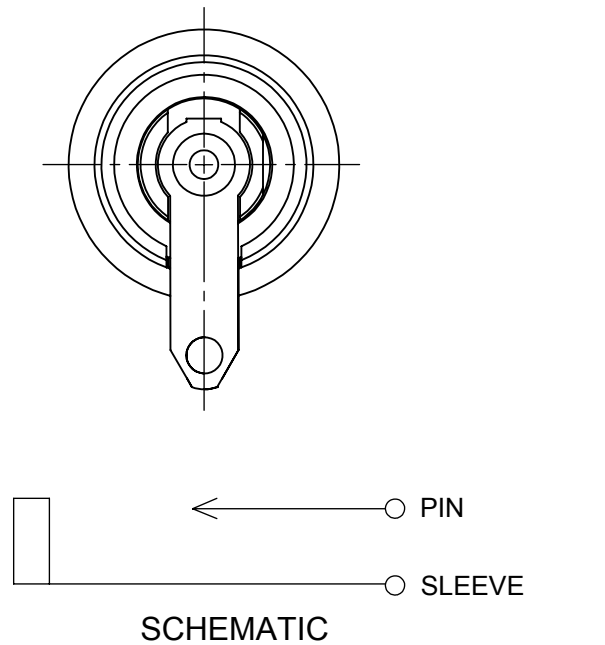
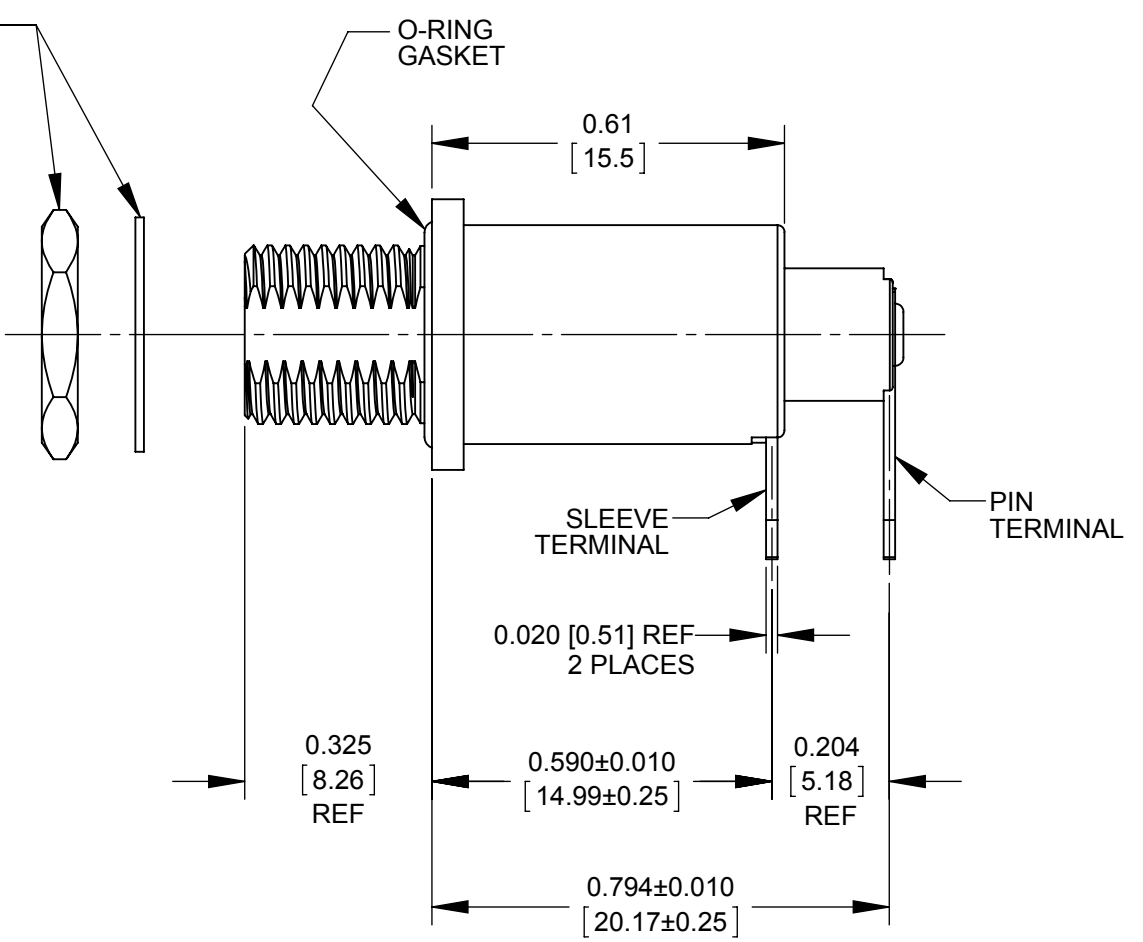
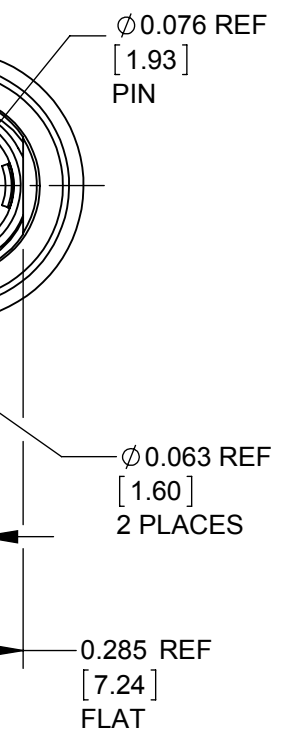
Email & Skype: info@chipsmall.com Web: www.chipsmall.com

Address: A1208, Overseas Decoration Building, #122 Zhenhua RD., Futian, Shenzhen, China





HEX NUT AND WASHER SHIPPED UNASSEMBLED



CUSTOMER DRAWING

NOTES:

1. MATERIALS:

- BUSHING/HOUSING - COPPER ALLOY, NICKEL PLATED
- INSULATOR - THERMOPLASTIC, BLACK
- TERMINALS - COPPER ALLOY, MATTE TIN PLATED
- CENTER CONTACT PIN - COPPER ALLOY, GOLD PLATED
- SLEEVE CONTACT - COPPER ALLOY, GOLD PLATED
- O-RINGS - THERMOPLASTIC RUBBER
- HEX NUT - COPPER ALLOY, NICKEL PLATED
- WASHER - STEEL, NICKEL PLATED

2. THIS PRODUCT IS RoHS COMPLIANT.

REV	ECO NUMBER	DATE	BY	APVD
A	27391	11-10-14	PC	TJK
REVISIONS				

UNLESS OTHERWISE SPECIFIED

1. ALL DIMENSIONS IN INCHES [mm]
- TWO PLACE DECIMALS ± 0.02 [0.5]
- THREE PLACE DECIMALS ± 0.005 [0.13]

DO NOT SCALE DRAWING

THIS DRAWING DESCRIBES A DESIGN CONSIDERED PROPRIETARY IN NATURE, DEVELOPED AND MANUFACTURED BY SWITCHCRAFT INC. AND IS RELEASED ON A CONFIDENTIAL BASIS FOR IDENTIFICATION PURPOSES ONLY.									
SIZE	WIDTH	MULT	LBS/M	TEMPER					
FINISH SPEC No.					MATERIAL SPEC No.				
FIRST USED ON					SCALE 3:1				
DATE DRAWN	BY	CHKD	APVD						
9-26-13	SRC	SRC	SRC						
			9-26-13			11-10-14			
NAME RIGHT ANGLE SEALED 10 AMP POWER JACK, RoHS								PART No. RAPC10U	
								REV A	