



Chipsmall Limited consists of a professional team with an average of over 10 year of expertise in the distribution of electronic components. Based in Hongkong, we have already established firm and mutual-benefit business relationships with customers from,Europe,America and south Asia,supplying obsolete and hard-to-find components to meet their specific needs.

With the principle of “Quality Parts,Customers Priority,Honest Operation,and Considerate Service”,our business mainly focus on the distribution of electronic components. Line cards we deal with include Microchip,ALPS,ROHM,Xilinx,Pulse,ON,Everlight and Freescale. Main products comprise IC,Modules,Potentiometer,IC Socket,Relay,Connector.Our parts cover such applications as commercial,industrial, and automotives areas.

We are looking forward to setting up business relationship with you and hope to provide you with the best service and solution. Let us make a better world for our industry!



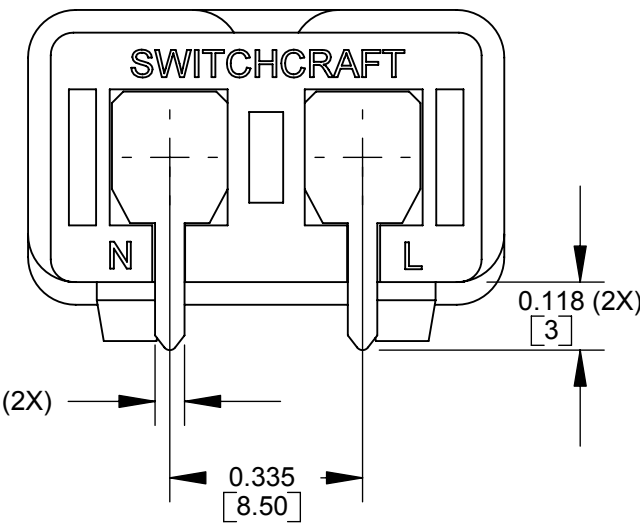
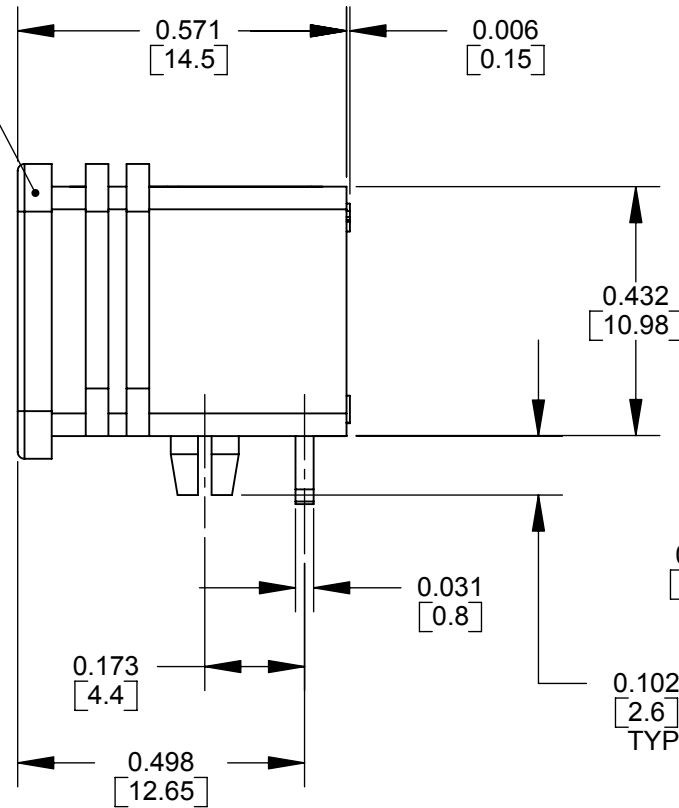
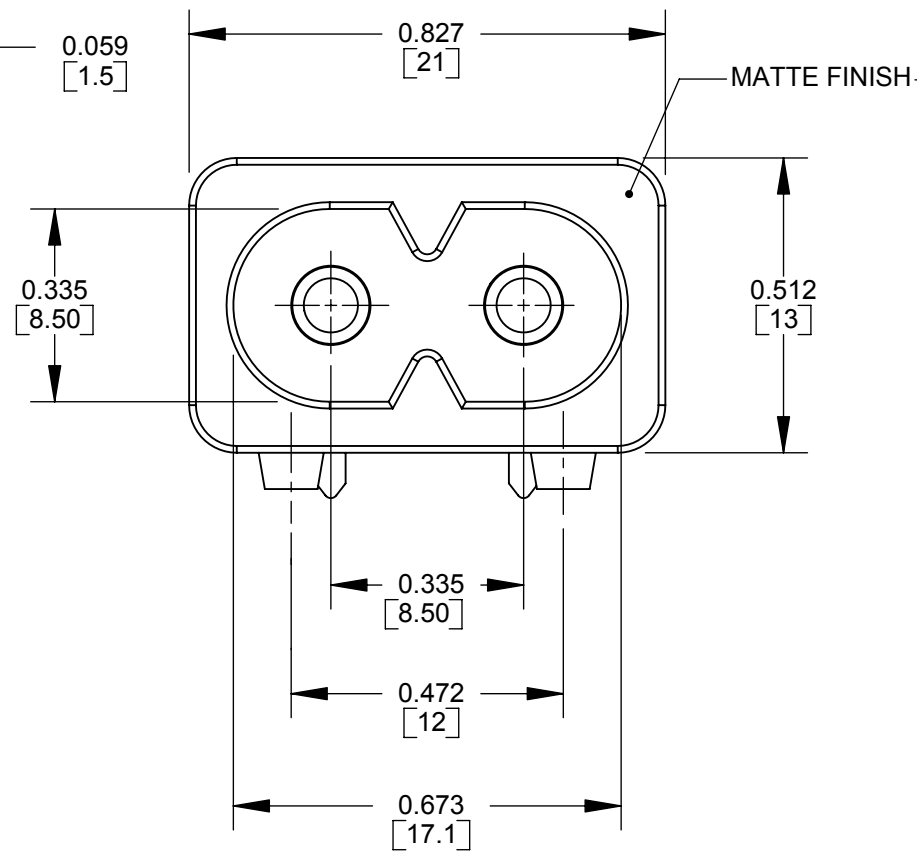
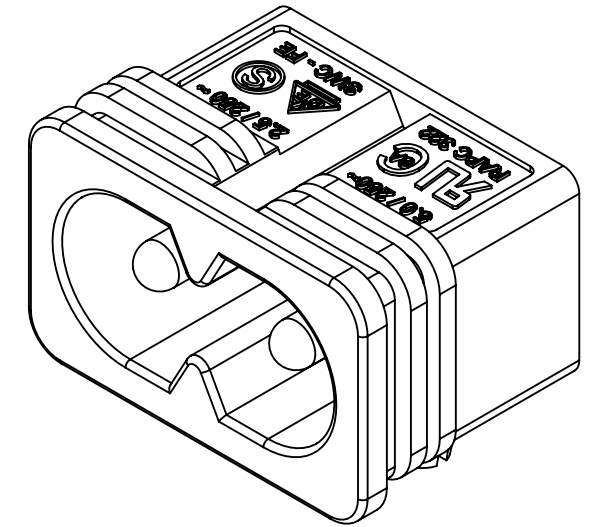
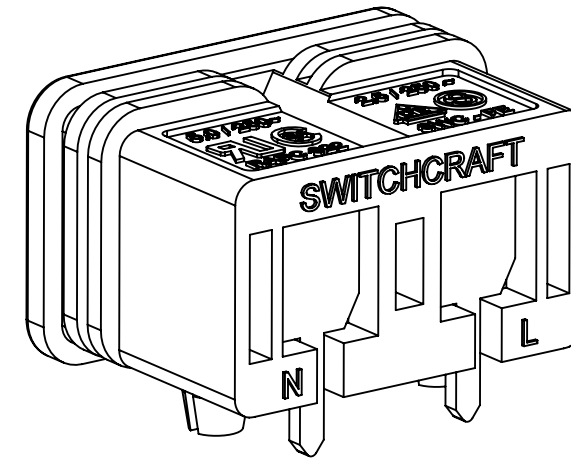
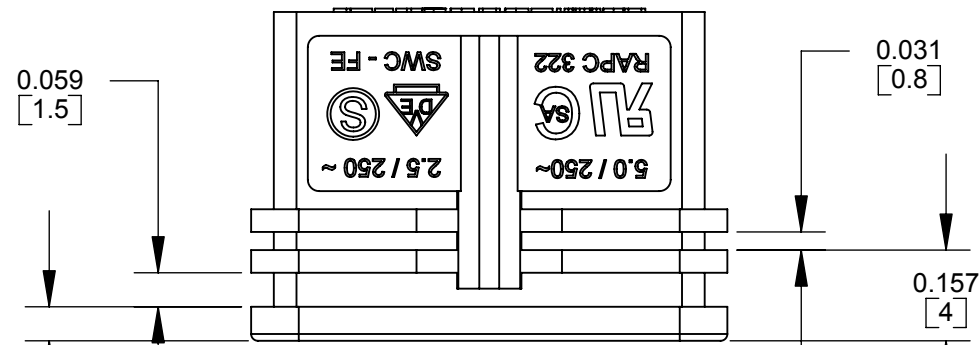
Contact us

Tel: +86-755-8981 8866 Fax: +86-755-8427 6832

Email & Skype: info@chipsmall.com Web: www.chipsmall.com

Address: A1208, Overseas Decoration Building, #122 Zhenhua RD., Futian, Shenzhen, China





SPECIFICATIONS

GENERAL:
CURRENT RATING: 5A, UL AND CSA
2.5A, VDE AND SEMKO
NOMINAL VOLTAGE: 250V
TEMPERATURE RANGE: -55°C TO 65°C
DIELECTRIC STRENGTH: 2000V @ 1 MINUTE

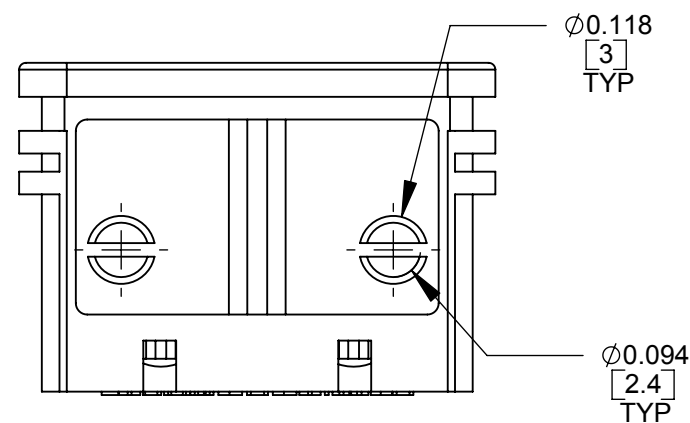
MATERIALS:

HOUSING: BLACK, MOLDED THERMOPLASTIC
UL 94V-0
MALE PINS: COPPER ALLOY, NICKEL PLATED
PC TERMINALS: COPPER ALLOY, TIN PLATED
(LEAD FREE)

NOTES:

1. ALL DIMENSIONS SHOWN ARE FOR REFERENCE ONLY.
2. THIS PRODUCT IS RoHS COMPLIANT.

CUSTOMER DRAWING



REV	ECO NUMBER	DATE	BY	APVD
A	26126	9-12-06	RF	TJK
REVISIONS				

UNLESS OTHERWISE SPECIFIED

1. ALL DIMENSIONS IN INCHES
- TWO PLACE DECIMALS ±0.02
- THREE PLACE DECIMALS ±0.005

DO NOT SCALE DRAWING

THIS DRAWING DESCRIBES A DESIGN CONSIDERED PROPRIETARY IN NATURE, DEVELOPED AND MANUFACTURED BY SWITCHCRAFT INC. AND IS RELEASED ON A CONFIDENTIAL BASIS FOR IDENTIFICATION PURPOSES ONLY.									
SIZE	WIDTH	MULT	LBS/M	TEMPER					
FINISH					MATERIAL				
SPEC No.					SPEC No.				
FIRST USED ON					SCALE				
					1:0.333333				
DATE DRAWN	BY	CHKD	APVD						
9-12-06	RF	RF	TJK						
			9-12-06	9-12-06					
NAME					PART No.				
2 PIN MALE RECEPTACLE, RoHS					RAPC322X				
					SHEET 1 OF 1				
					REV A				