



Chipsmall Limited consists of a professional team with an average of over 10 year of expertise in the distribution of electronic components. Based in Hongkong, we have already established firm and mutual-benefit business relationships with customers from,Europe,America and south Asia,supplying obsolete and hard-to-find components to meet their specific needs.

With the principle of “Quality Parts,Customers Priority,Honest Operation,and Considerate Service”,our business mainly focus on the distribution of electronic components. Line cards we deal with include Microchip,ALPS,ROHM,Xilinx,Pulse,ON,Everlight and Freescale. Main products comprise IC,Modules,Potentiometer,IC Socket,Relay,Connector.Our parts cover such applications as commercial,industrial, and automotives areas.

We are looking forward to setting up business relationship with you and hope to provide you with the best service and solution. Let us make a better world for our industry!



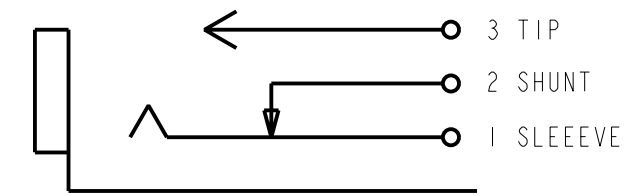
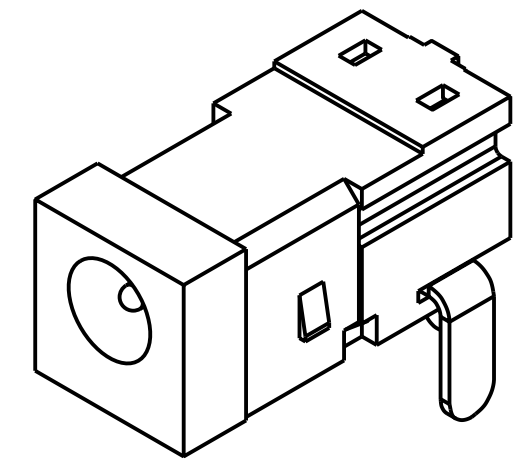
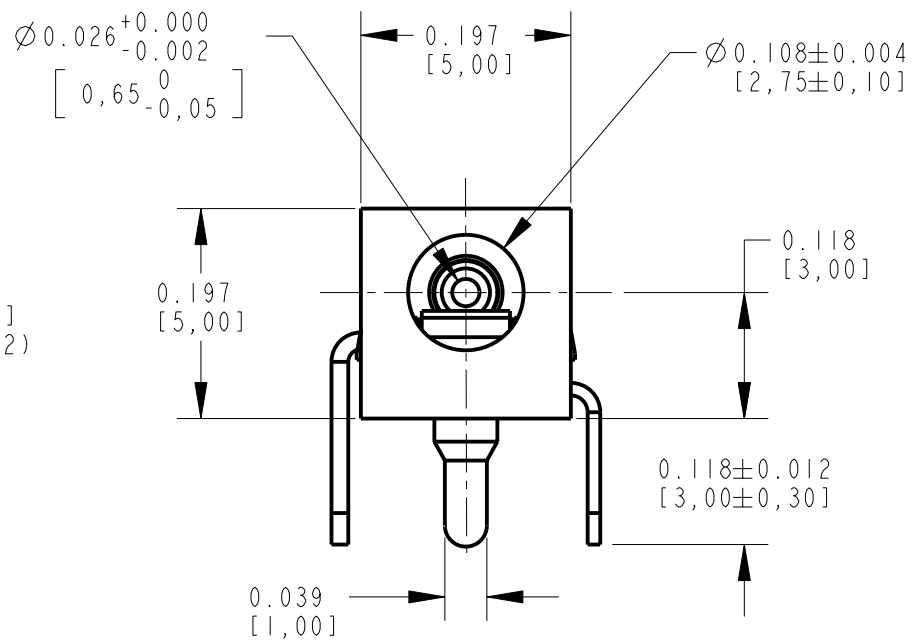
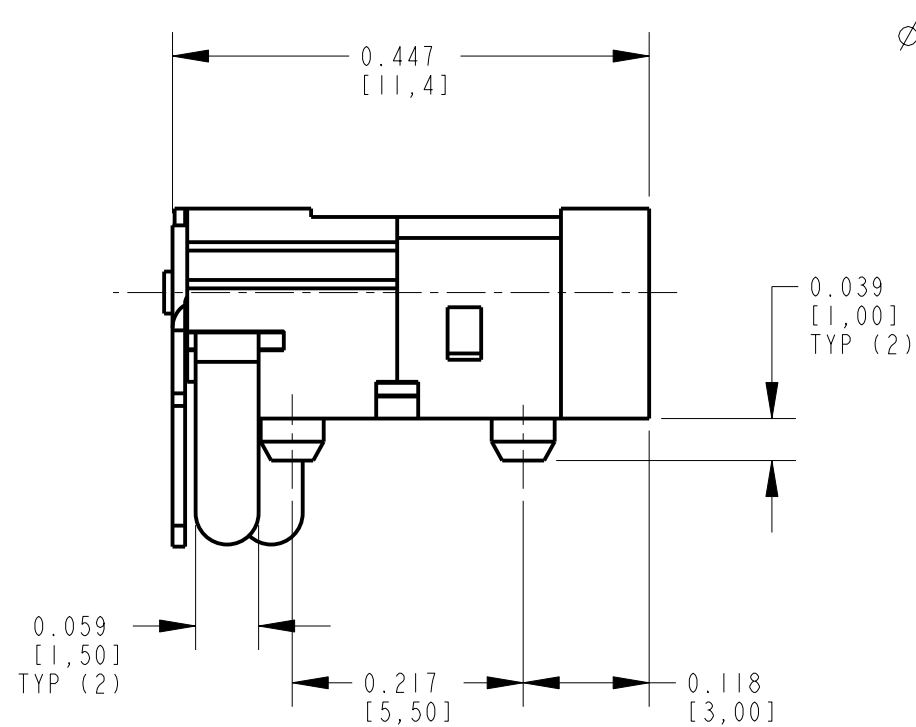
Contact us

Tel: +86-755-8981 8866 Fax: +86-755-8427 6832

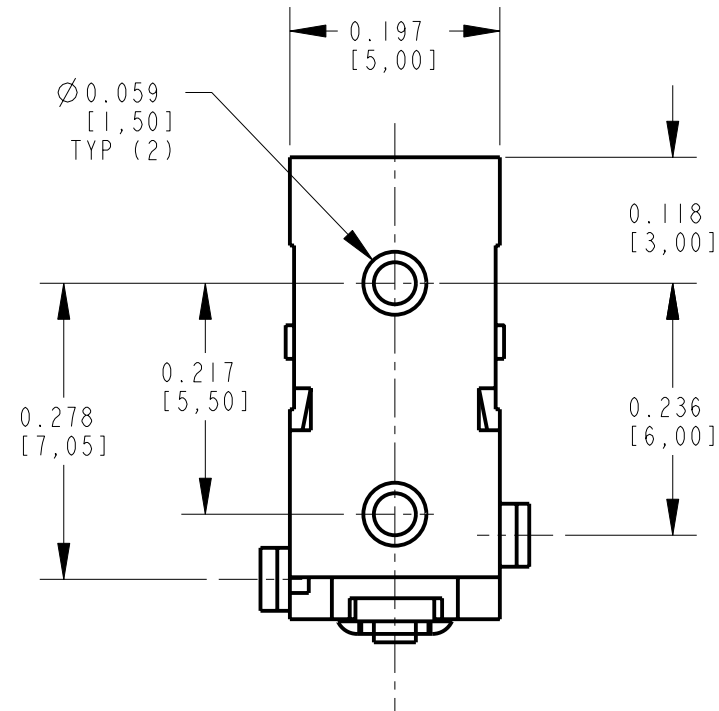
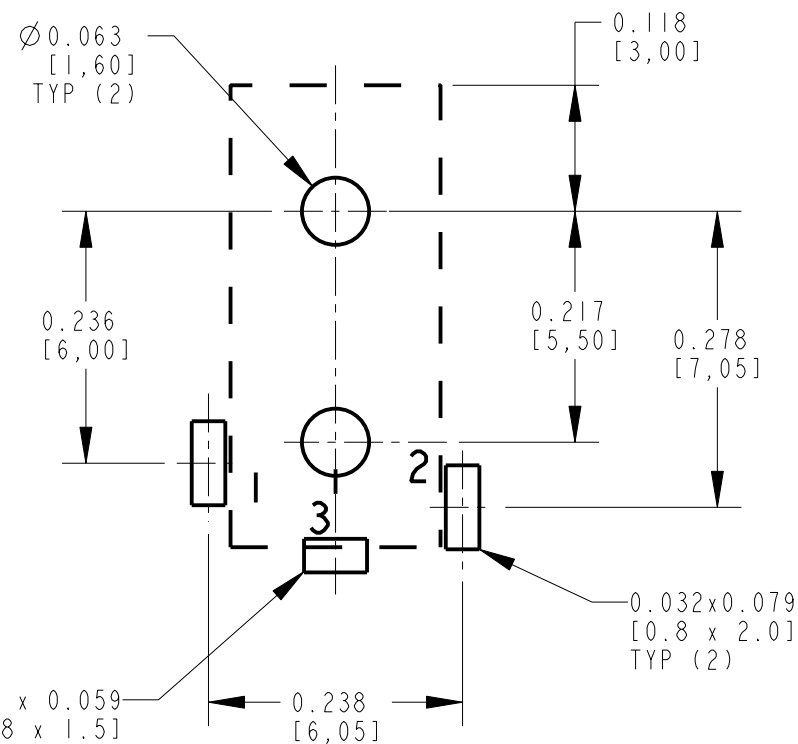
Email & Skype: info@chipsmall.com Web: www.chipsmall.com

Address: A1208, Overseas Decoration Building, #122 Zhenhua RD., Futian, Shenzhen, China





SCHEMATIC



NOTES:

1. ALL DIMENSIONS ARE REFERENCE.
2. MATERIALS:
HOUSING: THERMOPLASTIC, BLACK
SPRING CONTACT: COPPER ALLOY, SILVER PLATED
SHUNT TERMINAL: COPPER ALLOY, SILVER PLATED
CENTER PIN: COPPER ALLOY, SILVER PLATED
3. THIS PRODUCT IS RoHS COMPLIANT

CUSTOMER DRAWING

PC BOARD LAYOUT
COMPONENT SIDE

					★ STAR SYMBOL DENOTES CRITICAL DIMENSION					THIS DRAWING DESCRIBES A DESIGN CONSIDERED PROPRIETARY IN NATURE, DEVELOPED AND MANUFACTURED BY SWITCHCRAFT INC. AND IS RELEASED ON A CONFIDENTIAL BASIS FOR IDENTIFICATION PURPOSES ONLY.												
					UNLESS OTHERWISE SPECIFIED					SIZE		WIDTH		MULT		LBS/M		TEMPER				
					1. ALL DIMENSIONS IN INCHES - TWO PLACE DECIMALS ±0.01 - THREE PLACE DECIMALS ±0.005 - ANGLES ±1° - ALL DIA. CONCENTRIC WITHIN 0.005 T.I.R.					FINISH		MATERIAL		SPEC No.		SPEC No.						
					2. FEATURES ON THE SAME CENTERLINE MUST BE ALIGNED WITHIN ±0.002					FIRST USED ON		SCALE		DATE DRAWN		BY		CHKD		APVD		
					3. REMOVE ALL BURRS					09-Sep-05		5 : 1		09-Sep-05		JL		MW		MW		
A					25129					DO NOT SCALE DRAWING					NAME		RIGHT ANGLE PCB DC JACK		PART No.		REV	
REV					ECO NUMBER										Ø0.65mm PIN, RoHS		RAPC752X		A			
REVISIONS																						