



Chipsmall Limited consists of a professional team with an average of over 10 year of expertise in the distribution of electronic components. Based in Hongkong, we have already established firm and mutual-benefit business relationships with customers from,Europe,America and south Asia,supplying obsolete and hard-to-find components to meet their specific needs.

With the principle of “Quality Parts,Customers Priority,Honest Operation,and Considerate Service”,our business mainly focus on the distribution of electronic components. Line cards we deal with include Microchip,ALPS,ROHM,Xilinx,Pulse,ON,Everlight and Freescale. Main products comprise IC,Modules,Potentiometer,IC Socket,Relay,Connector.Our parts cover such applications as commercial,industrial, and automotives areas.

We are looking forward to setting up business relationship with you and hope to provide you with the best service and solution. Let us make a better world for our industry!



Contact us

Tel: +86-755-8981 8866 Fax: +86-755-8427 6832

Email & Skype: info@chipsmall.com Web: www.chipsmall.com

Address: A1208, Overseas Decoration Building, #122 Zhenhua RD., Futian, Shenzhen, China

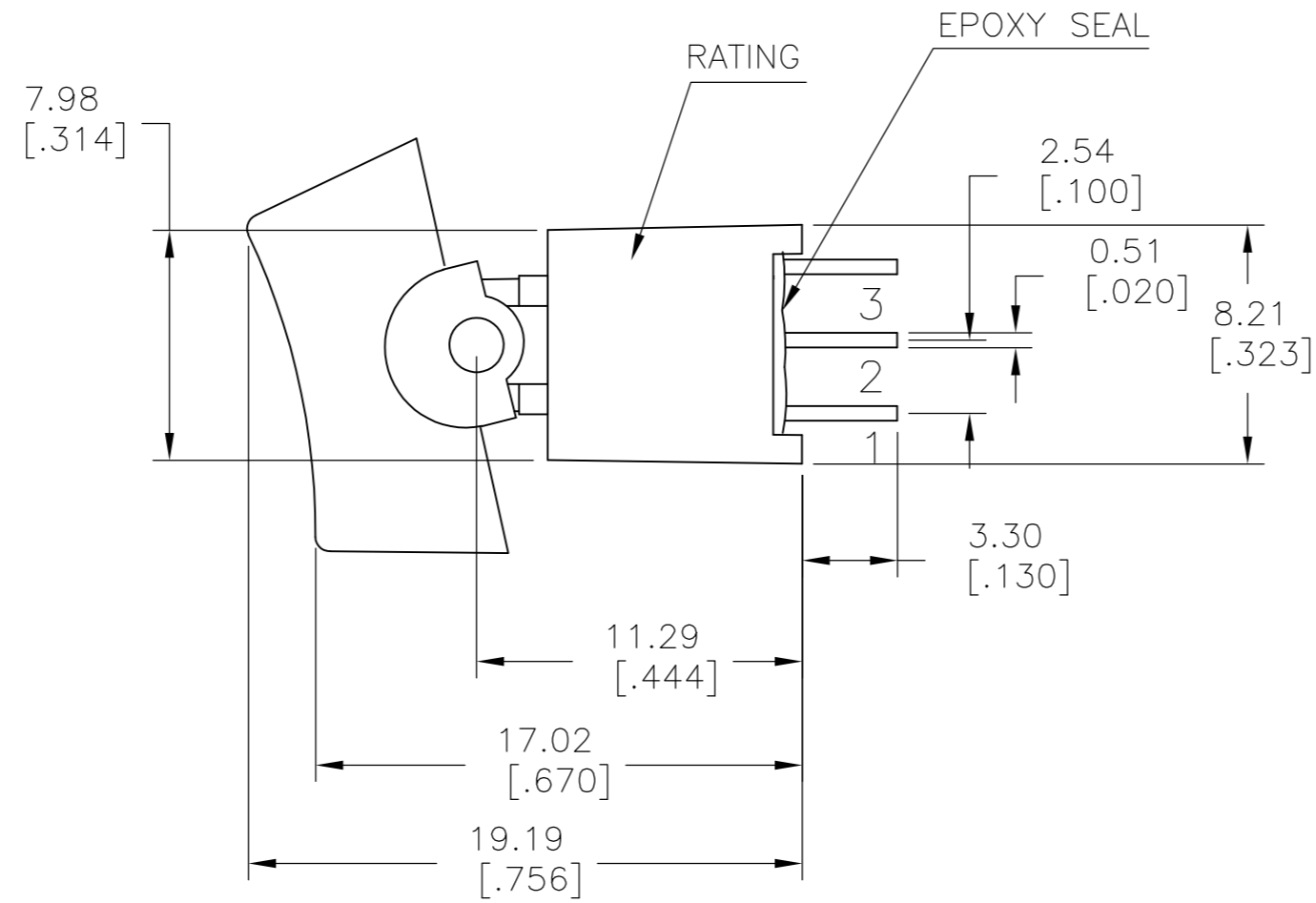
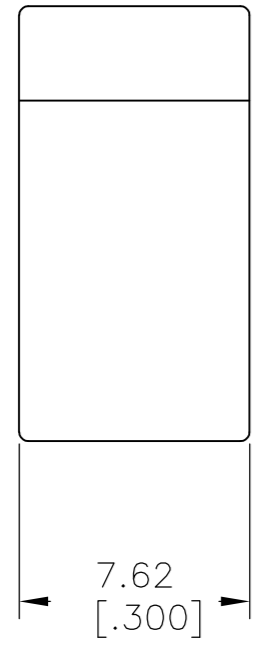


THIS DRAWING IS UNPUBLISHED. RELEASED FOR PUBLICATION
 © COPYRIGHT - By - ALL RIGHTS RESERVED.

LOC		DIST		REVISIONS			
P	LTR	DESCRIPTION		DATE	DWN	APVD	
-	-	A		NEW DRAWING PER ECO-14-009318	10JUL2014	NK	RH

SPECIFICATIONS

MECHANICAL LIFE: 30,000 MAKE-AND-BREAK CYCLES.
 CONTACT RESISTANCE: 20 mΩ MAX. INITIAL @ 2-4VDC
 100mA FOR BOTH SILVER AND GOLD
 PLATED CONTACTS.
 CONTACT RATING: GOLD-0.4 VA MAX @ 20 V MAX (AC OR DC)
 SILVER-3 A @ 120 VAC OR 28 VDC
 1 A @ 250 VAC
 INSULATION RESISTANCE: 1,000 MΩ MIN.
 DIELECTRIC STRENGTH: 1,000 Vrms @SEA LEVEL.
 OPERATING TEMPERATURE: -30°C TO 85°C.



SILVER	2-1,5-4	2-3,5-6	ON-ON	V-BRACKET	VERTICAL	2	2	RAD1R102VS2QES	2267088-8
GOLD	2-1	2-3	ON-ON	V-BRACKET	VERTICAL	1	2	RAS1R102VS2RES	2267088-7
GOLD	2-1,5-4	2-3,5-6	ON-ON	PC THROUGH HOLE	VERTICAL RIGHT ANGLE	2	2	RAD1R102M7RES	2267088-6
GOLD	2-1	2-3	ON-ON	PC THROUGH HOLE	VERTICAL RIGHT ANGLE	1	2	RAS1R102M7RES	2267088-5
SILVER	2-1,5-4	2-3,5-6	ON-ON	PC THROUGH HOLE	RIGHT ANGLE	2	2	RAD1R102M6QES	2267088-4
SILVER	2-1	2-3	ON-ON	PC THROUGH HOLE	RIGHT ANGLE	1	2	RAS1R202M6QES	2267088-3
SILVER	2-1,5-4	2-3,5-6	ON-ON	PC THROUGH HOLE	VERTICAL	2	2	RAD1R102M2QES	2267088-2
GOLD	2-1	2-3	ON-ON	PC THROUGH HOLE	VERTICAL	1	2	RAS1R102M2RES	2267088-1
CONTACT MATERIAL	POS 2	POS 1	FUNCTION	TERMINATION	MOUNT ANGLE	POLES	THROWS	DESCRIPTIVE PN	TE PN

THIS DRAWING IS A CONTROLLED DOCUMENT.

DWN	10JUL2014	NAGALAKSHMI K	
CHK	10JUL2014	HILL, RYAN	
APVD	10JUL2014	HILL, RYAN	
PRODUCT SPEC	-		
APPLICATION SPEC	-		
WEIGHT	-	SIZE	A2
CUSTOMER DRAWING	SCALE	3:1	SHEET
		1	OF 5
		REV	A

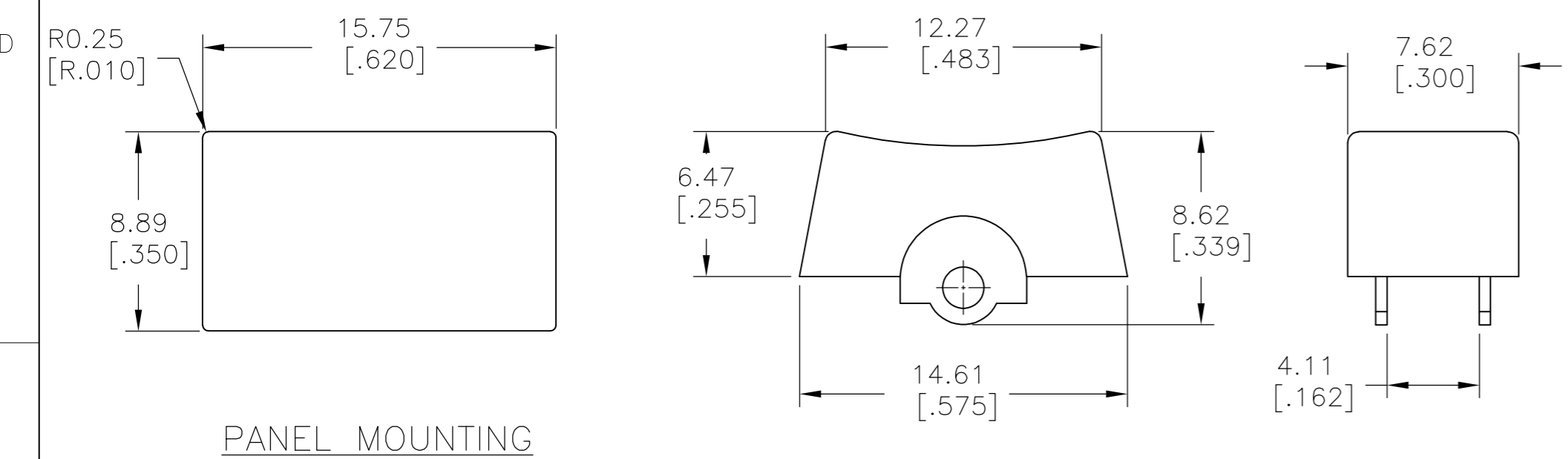
TE Connectivity
 SUBMINIATURE ROCKER SWITCHES

00779 C=2267088

THIS DRAWING IS UNPUBLISHED. RELEASED FOR PUBLICATION
 © COPYRIGHT - By - ALL RIGHTS RESERVED.

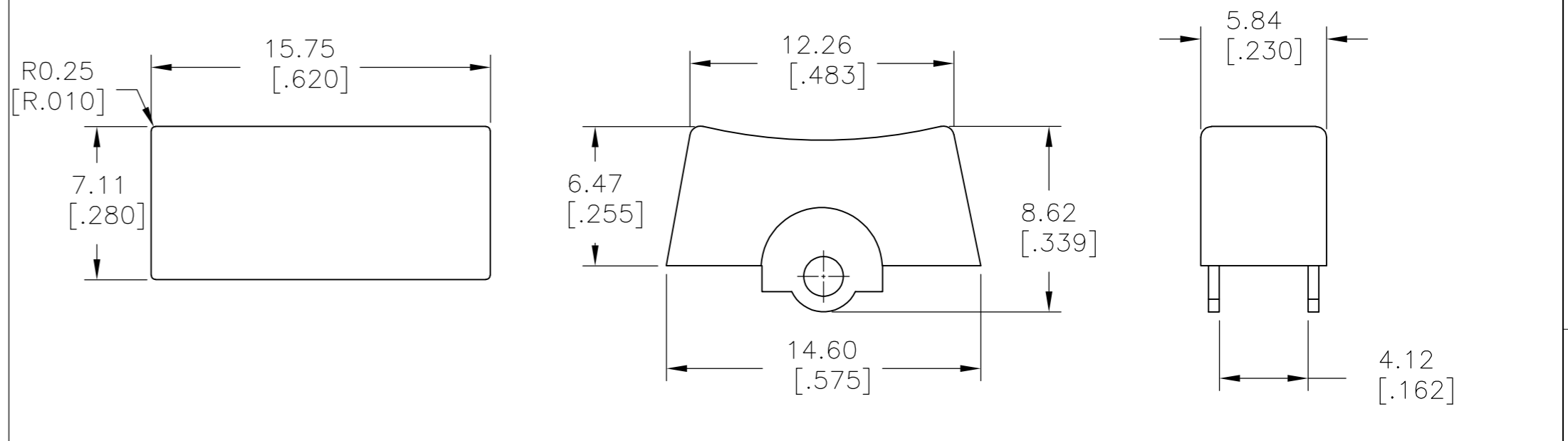
LOC		DIST		REVISIONS			
P	LTR	DESCRIPTION	DATE	DWN	APVD		
-	-	SEE SHEET 1	-	-	-		

ACTUATOR OPTIONS



PANEL MOUNTING

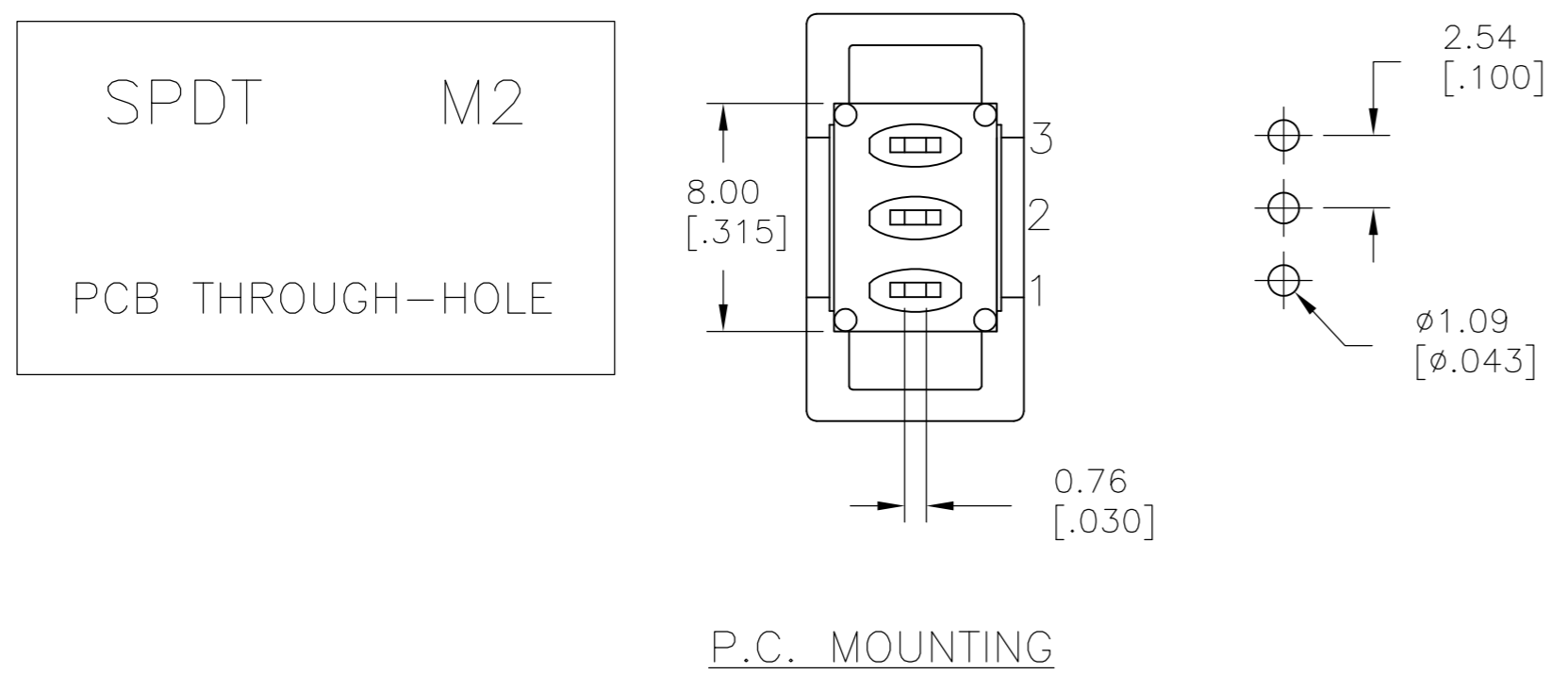
R1
WIDE ACTUATOR



PANEL MOUNTING

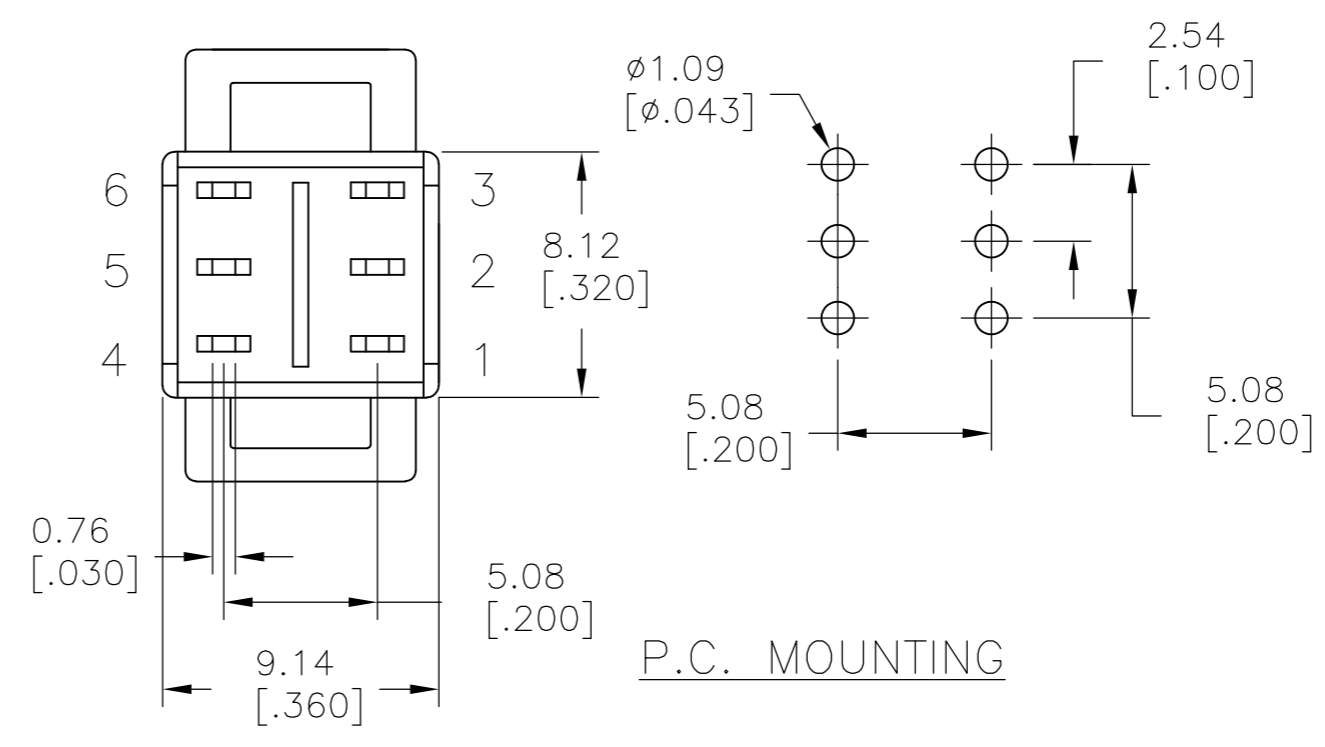
R2
NARROW ACTUATOR

TERMINATION OPTIONS



P.C. MOUNTING

SPDT M2
PCB THROUGH-HOLE



P.C. MOUNTING

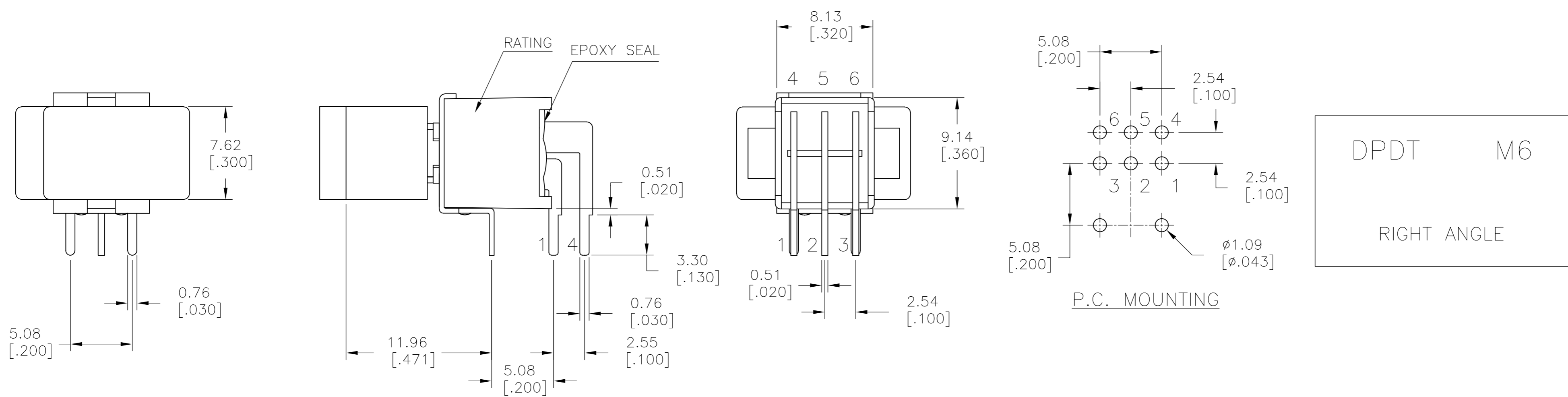
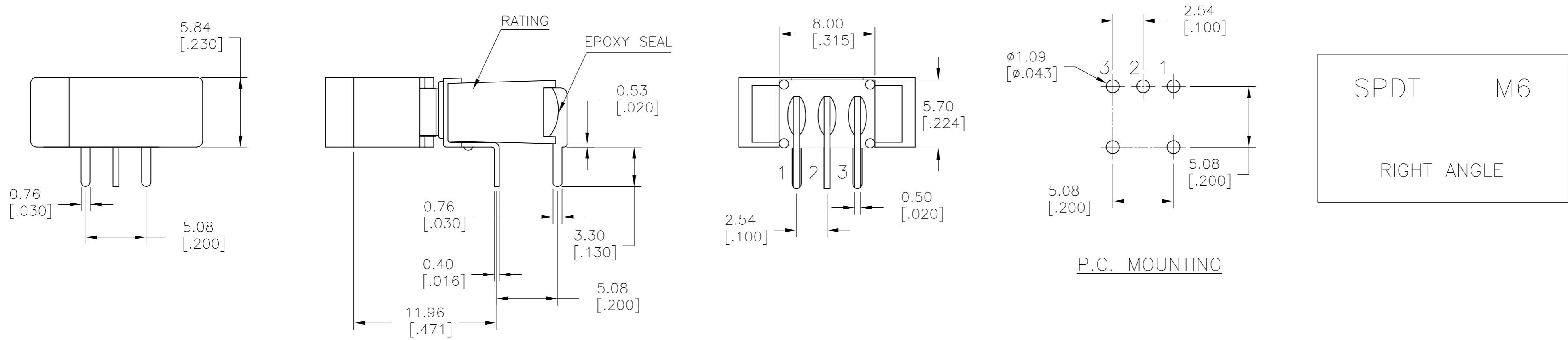
DPDT M2
PCB THROUGH-HOLE

LAYOUT FOR PN 2267088-1 & 2

THIS DRAWING IS A CONTROLLED DOCUMENT.		DWN NAGALAKSHMI K 10JUL2014	STE TE Connectivity	
DIMENSIONS: mm [INCHES]		CHK HILL, RYAN 10JUL2014		
TOLERANCES UNLESS OTHERWISE SPECIFIED:		APVD HILL, RYAN 10JUL2014	NAME SUBMINIATURE ROCKER SWITCHES	
0 PLC ± -	1 PLC ± 0.38[.015]	PRODUCT SPEC	SIZE A2	CAGE CODE 00779
2 PLC ± 0.25[.010]	3 PLC ± -	APPLICATION SPEC	DRAWING NO C=2267088	RESTRICTED TO -
4 PLC ± -	ANGLES ± 5°	WEIGHT -	SCALE 3:1	SHEET 2 of 5
MATERIAL -	FINISH -	CUSTOMER DRAWING	REV A	

THIS DRAWING IS UNPUBLISHED. RELEASED FOR PUBLICATION
 © COPYRIGHT - By - ALL RIGHTS RESERVED.

LOC		DIST		REVISIONS			
P	LTR	DESCRIPTION	DATE	DWN	APVD		
-	-	SEE SHEET 1	-	-	-		

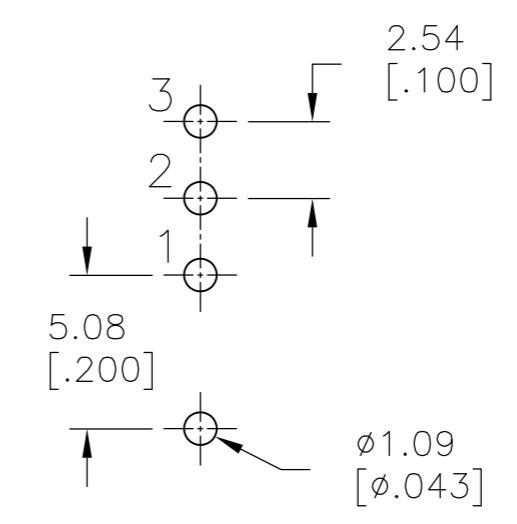
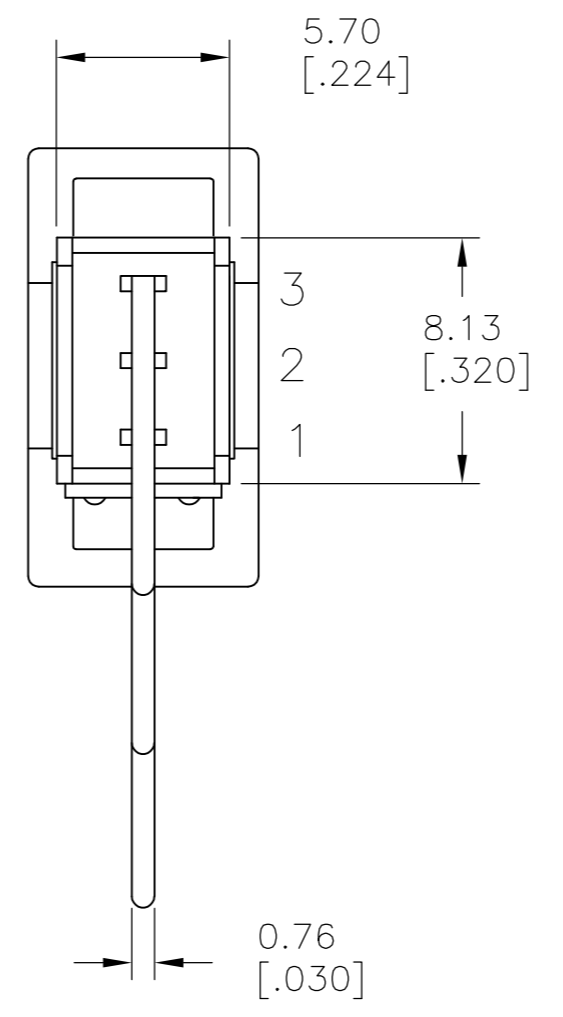
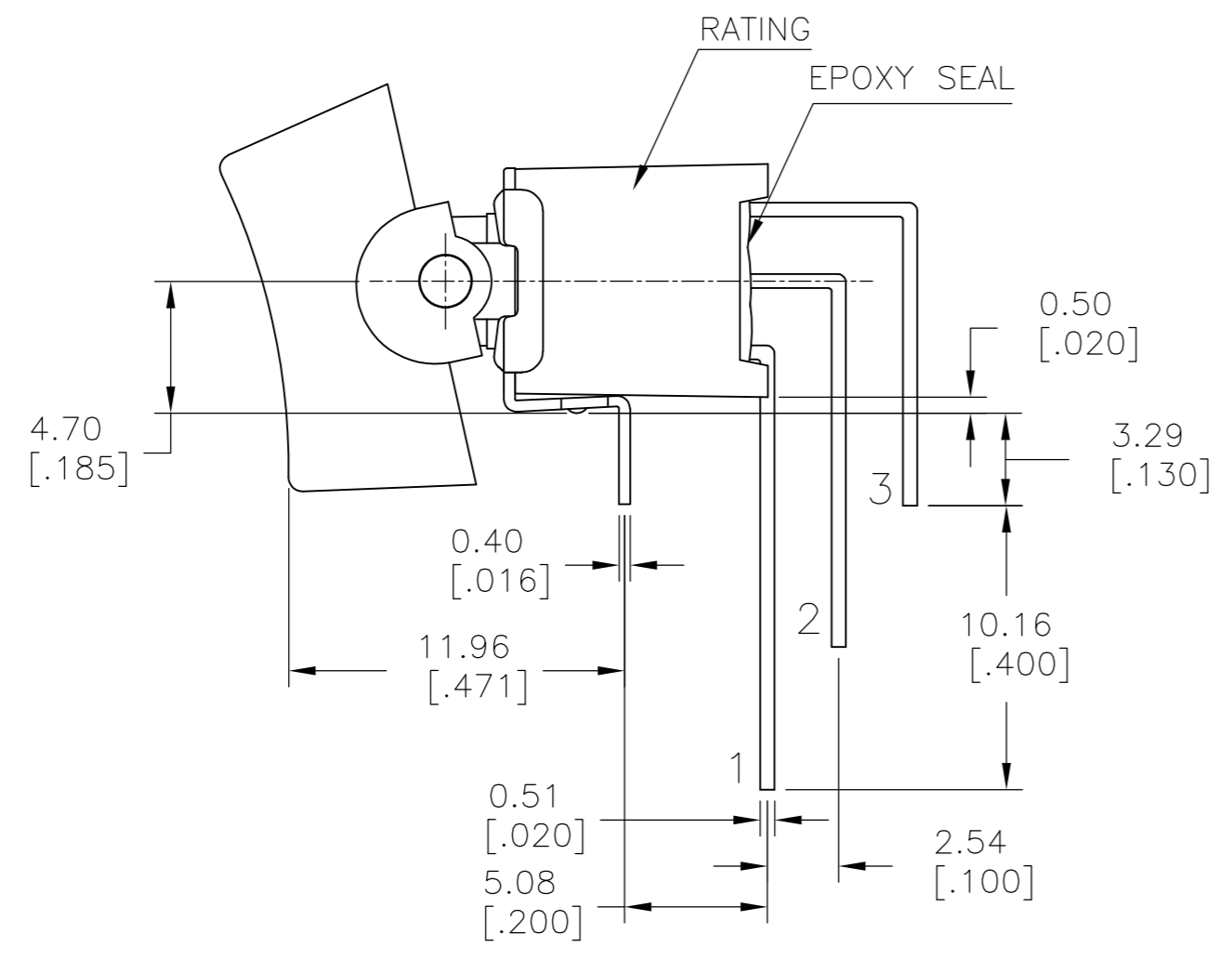
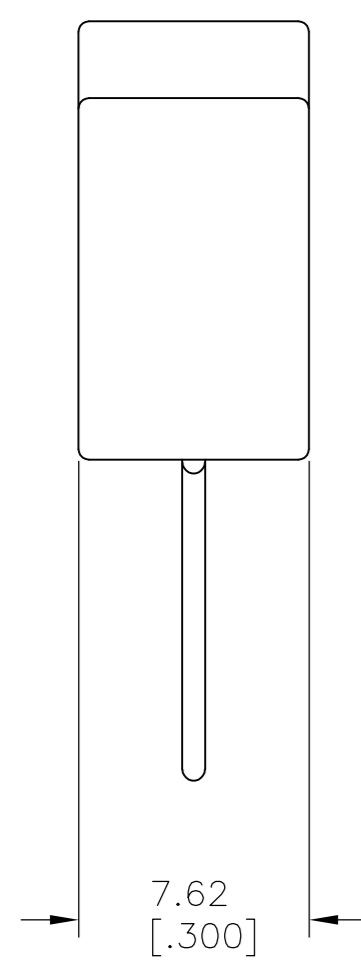


LAYOUT FOR PN 2267088-3 & 4

THIS DRAWING IS A CONTROLLED DOCUMENT.		DWN NAGALAKSHMI K 10JUL2014		
DIMENSIONS: mm [INCHES]		CHK HILL, RYAN 10JUL2014		
TOLERANCES UNLESS OTHERWISE SPECIFIED:		APVD HILL, RYAN 10JUL2014	NAME SUBMINIATURE ROCKER SWITCHES	
0 PLC ± - 1 PLC ± 0.38[.015] 2 PLC ± 0.25[.010] 3 PLC ± - 4 PLC ± - ANGLES ± 5°		PRODUCT SPEC	SIZE A2	
MATERIAL		APPLICATION SPEC	CAGE CODE 00779	DRAWING NO C=2267088
FINISH		WEIGHT	RESTRICTED TO	
		CUSTOMER DRAWING	SCALE 3:1	SHEET 3 OF 5
			REV A	

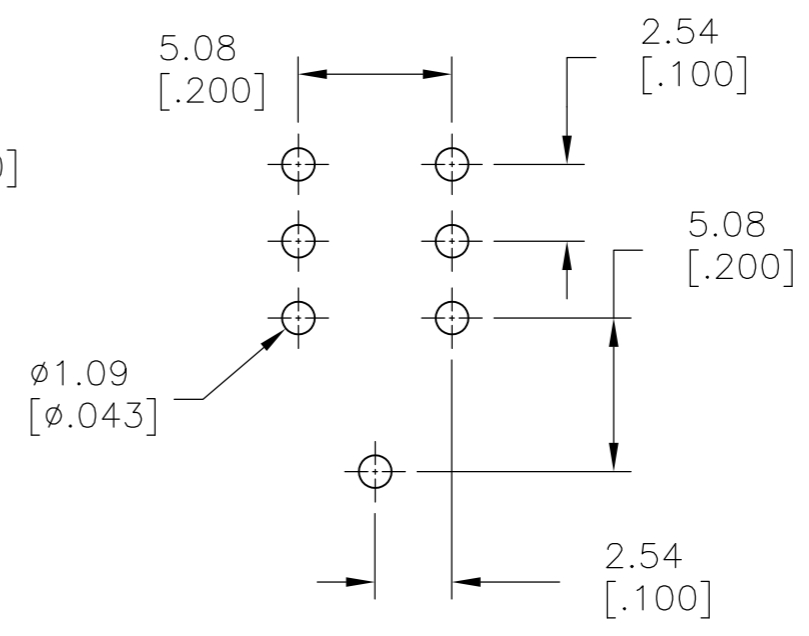
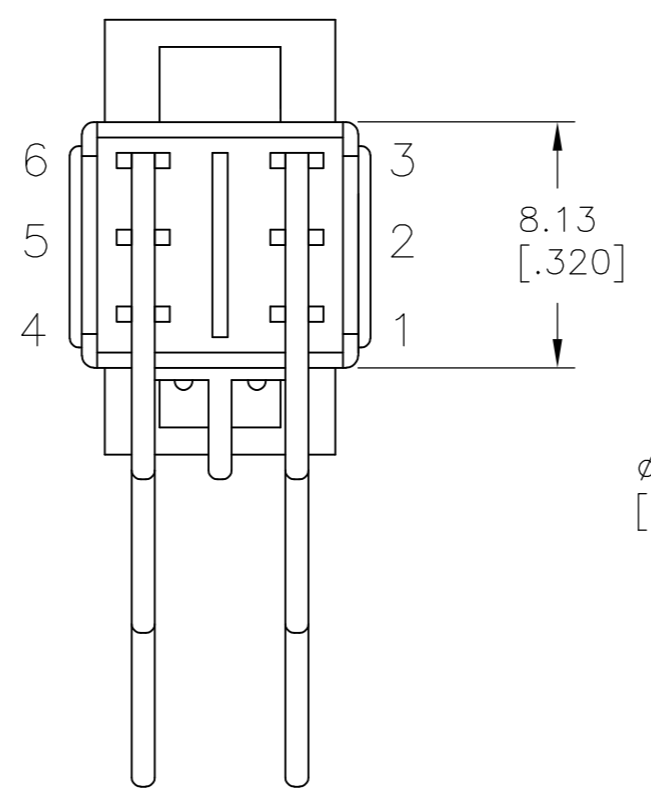
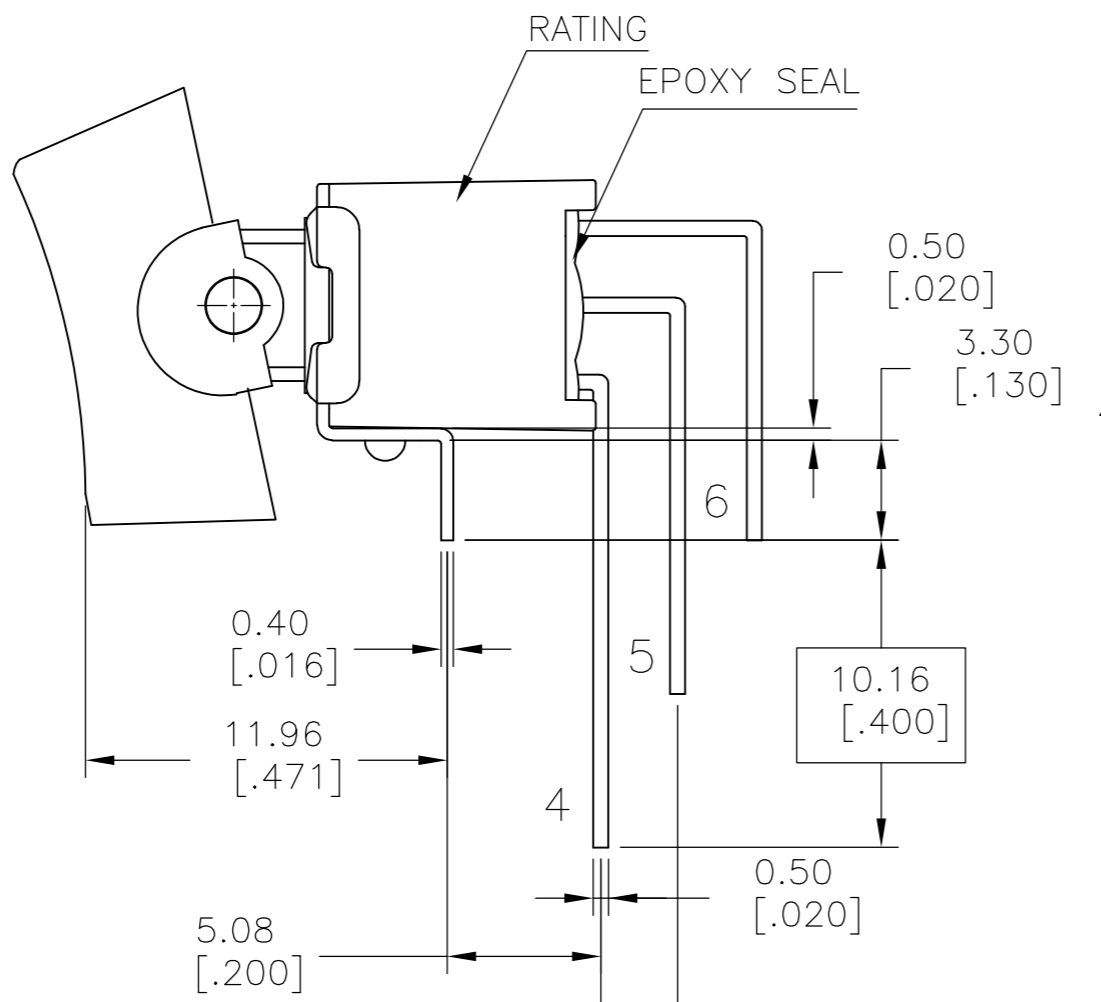
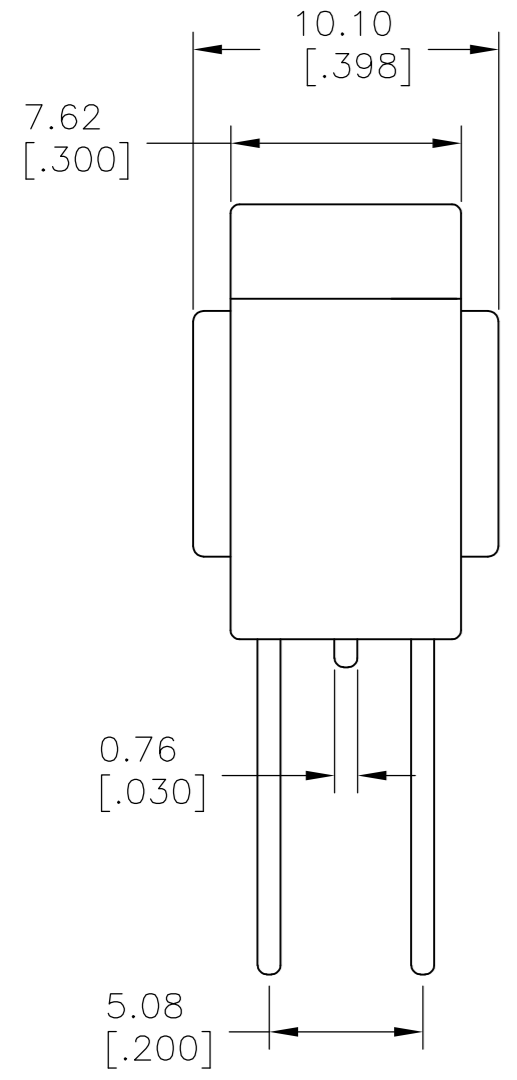
THIS DRAWING IS UNPUBLISHED. RELEASED FOR PUBLICATION
 © COPYRIGHT - By - ALL RIGHTS RESERVED.

LOC		DIST		REVISIONS			
P	LTR	DESCRIPTION	DATE	DWN	APVD		
-	-	SEE SHEET 1	-	-	-		



SPDT M7
 VERTICAL
 RIGHT ANGLE

P.C. MOUNTING



DPDT M7
 VERTICAL
 RIGHT ANGLE

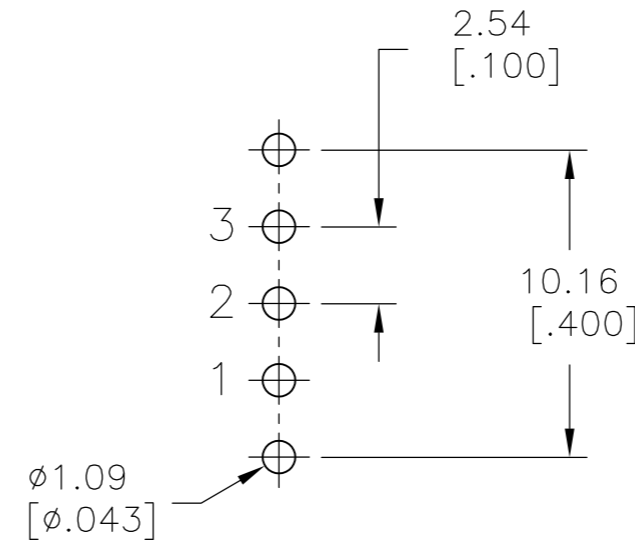
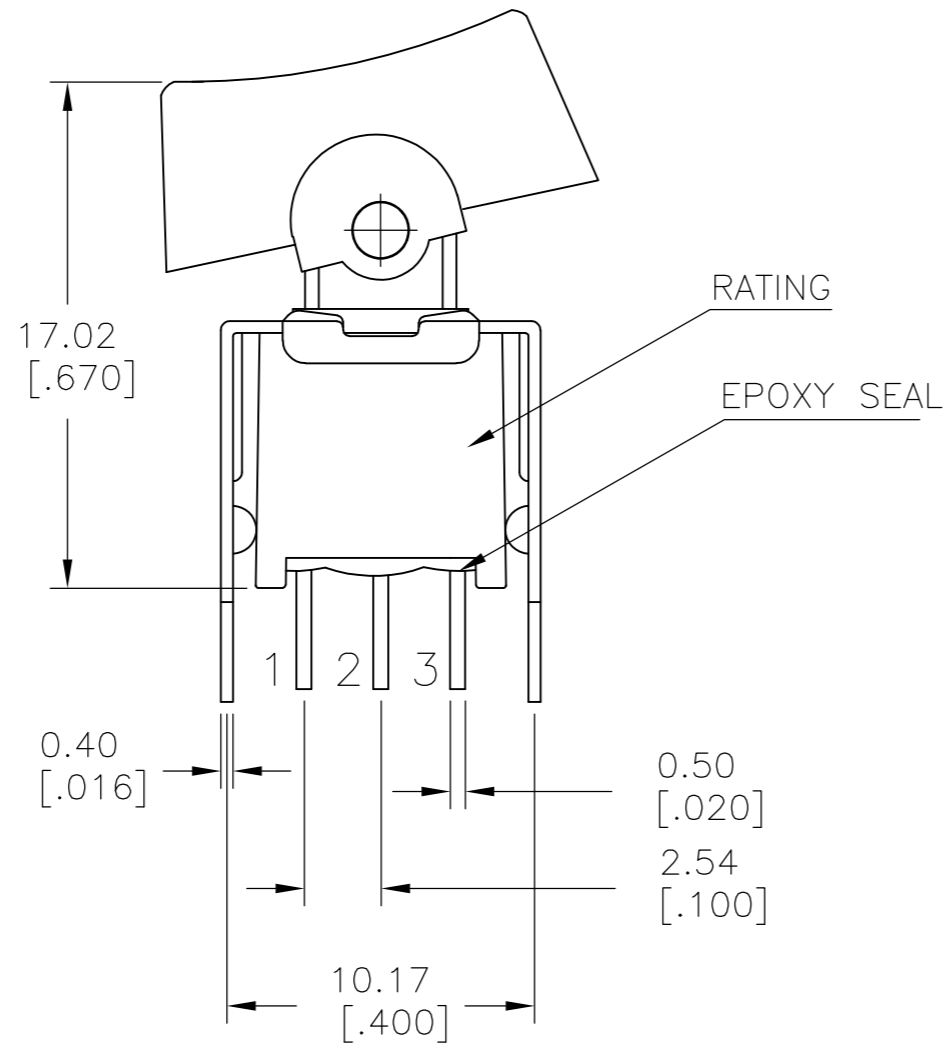
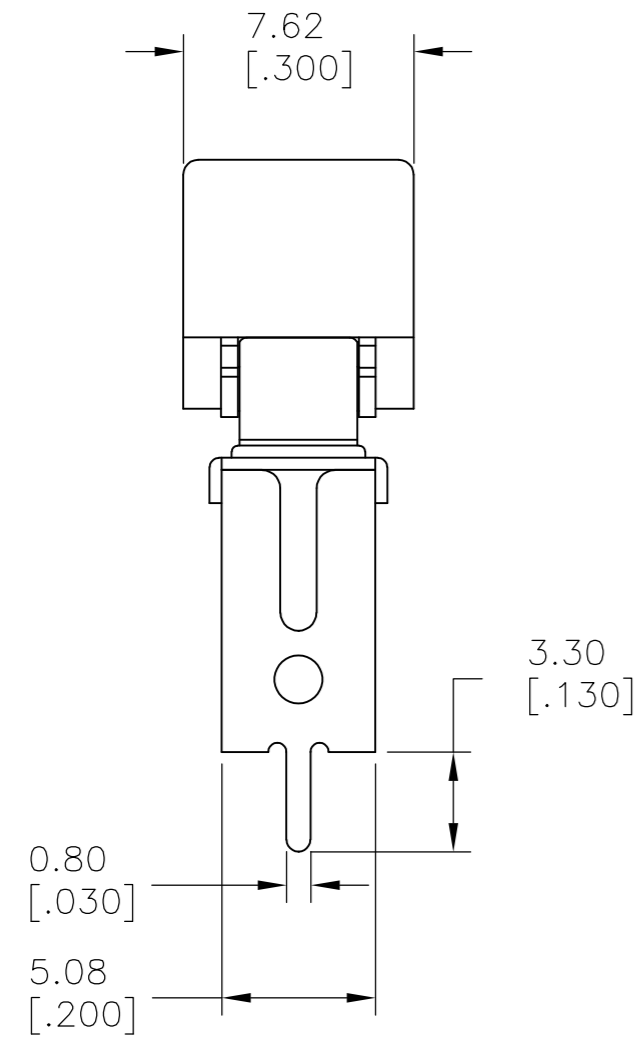
P.C. MOUNTING

LAYOUT FOR PN 2267088-5 & 6

THIS DRAWING IS A CONTROLLED DOCUMENT.		DWN NAGALAKSHMI K 10JUL2014	TE Connectivity	
DIMENSIONS: mm [INCHES]		CHK HILL, RYAN 10JUL2014		
TOLERANCES UNLESS OTHERWISE SPECIFIED:		APVD HILL, RYAN 10JUL2014	NAME SUBMINIATURE ROCKER SWITCHES	
0 PLC ± - 1 PLC ± 0.38[.015] 2 PLC ± 0.25[.010] 3 PLC ± - 4 PLC ± - ANGLES ± 5°		PRODUCT SPEC	RESTRICTED TO	
MATERIAL		APPLICATION SPEC	SIZE A2	CAGE CODE 00779
FINISH		WEIGHT	DRAWING NO C=2267088	SCALE 3:1
		CUSTOMER DRAWING	SHEET 4 OF 5	REV A

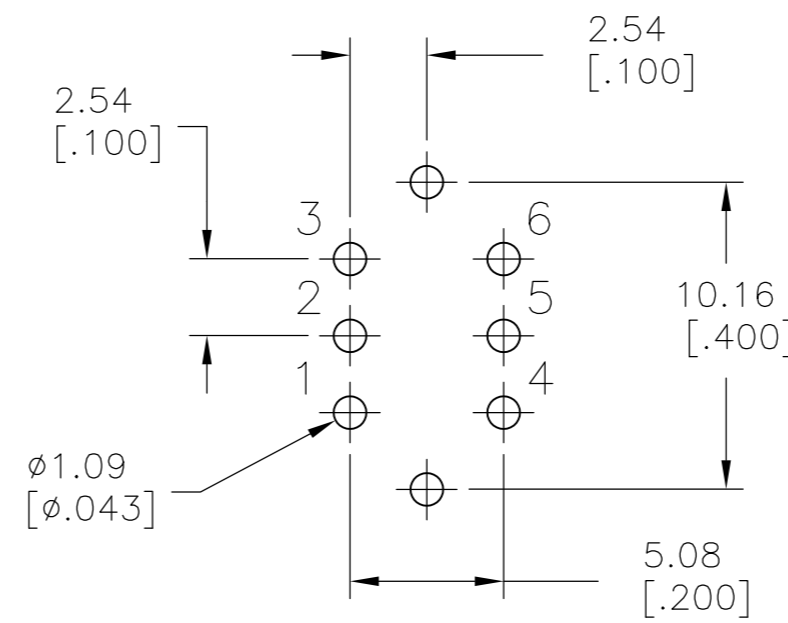
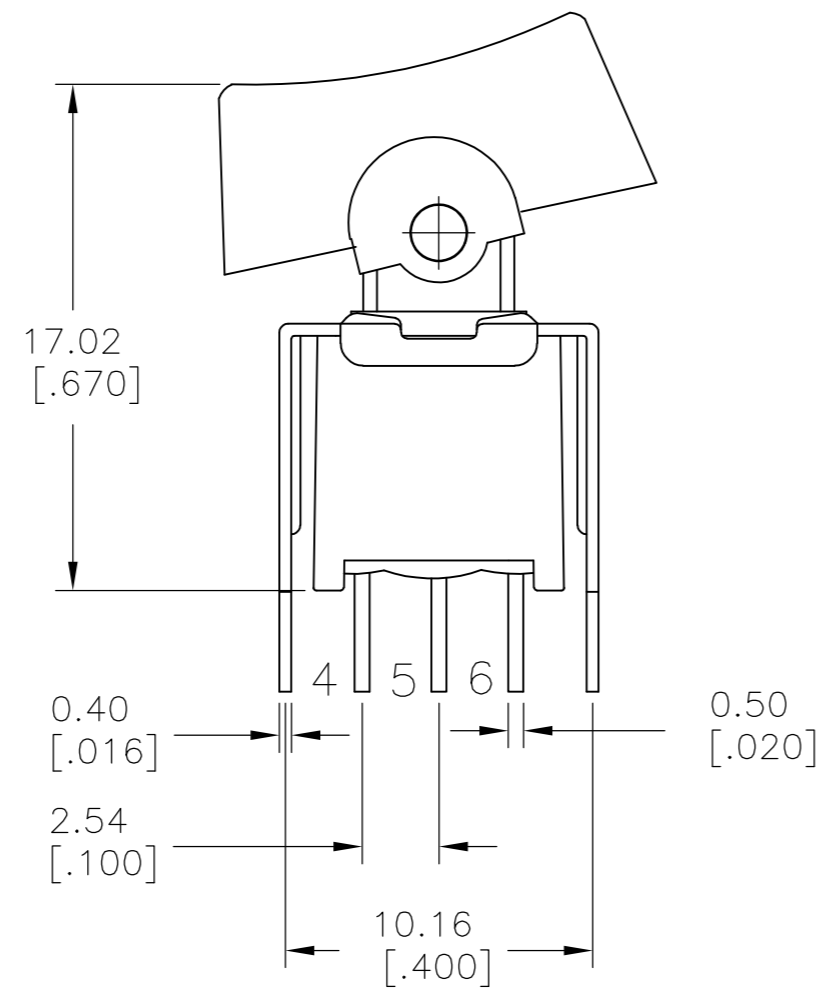
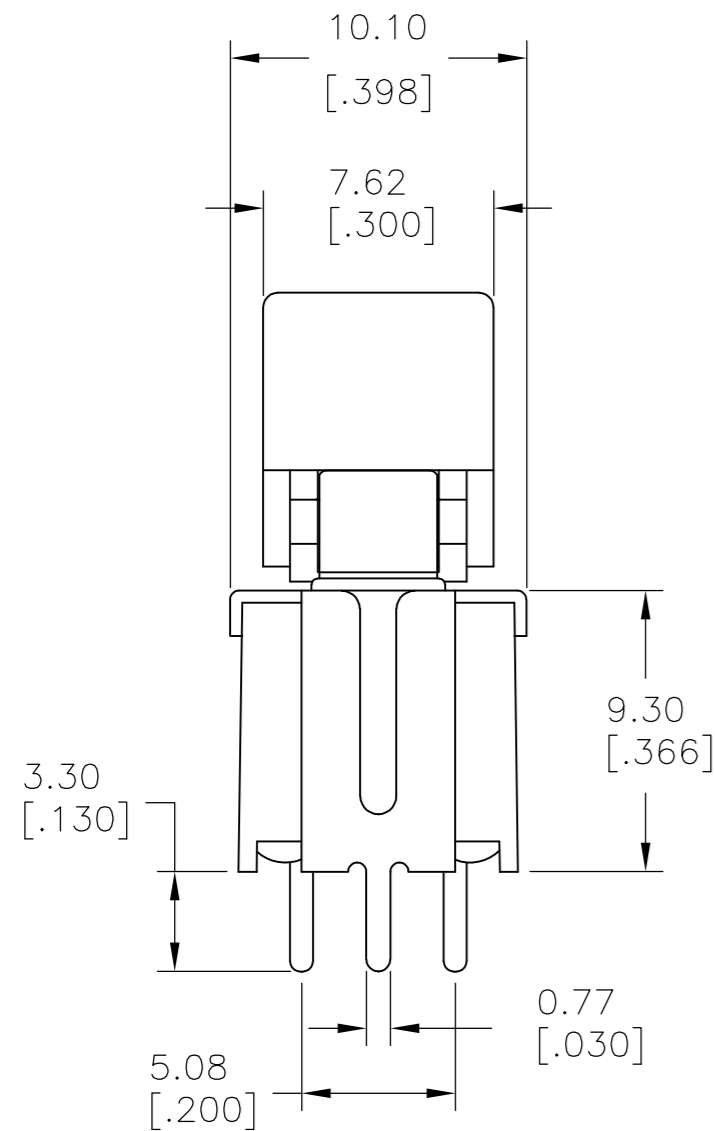
THIS DRAWING IS UNPUBLISHED. RELEASED FOR PUBLICATION
 © COPYRIGHT - By - ALL RIGHTS RESERVED.

LOC		DIST		REVISIONS			
P	LTR	DESCRIPTION	DATE	DWN	APVD		
-	-	SEE SHEET 1	-	-	-		



SPDT VS2
 VERTICAL V-BRACKET

P.C. MOUNTING



DPDT VS2
 VERTICAL V-BRACKET

P.C. MOUNTING

LAYOUT FOR PN 2267088-7 & 8

THIS DRAWING IS A CONTROLLED DOCUMENT.		DWN NAGALAKSHMI K 10JUL2014																				
DIMENSIONS: mm [INCHES]		CHK HILL, RYAN 10JUL2014																				
TOLERANCES UNLESS OTHERWISE SPECIFIED:		APVD HILL, RYAN 10JUL2014	NAME SUBMINIATURE ROCKER SWITCHES																			
<table border="1"> <tr><td>0 PLC</td><td>±</td><td>-</td></tr> <tr><td>1 PLC</td><td>±</td><td>0.38[.015]</td></tr> <tr><td>2 PLC</td><td>±</td><td>0.25[.010]</td></tr> <tr><td>3 PLC</td><td>±</td><td>-</td></tr> <tr><td>4 PLC</td><td>±</td><td>-</td></tr> <tr><td>ANGLES</td><td>±</td><td>5°</td></tr> </table>		0 PLC	±	-	1 PLC	±	0.38[.015]	2 PLC	±	0.25[.010]	3 PLC	±	-	4 PLC	±	-	ANGLES	±	5°	PRODUCT SPEC -	SIZE A2	
0 PLC	±	-																				
1 PLC	±	0.38[.015]																				
2 PLC	±	0.25[.010]																				
3 PLC	±	-																				
4 PLC	±	-																				
ANGLES	±	5°																				
MATERIAL -		APPLICATION SPEC -	CAGE CODE 00779	DRAWING NO C=2267088																		
FINISH -		WEIGHT -	SCALE 3:1	SHEET 5 of 5																		
CUSTOMER DRAWING			RESTRICTED TO -	REV A																		