



Chipsmall Limited consists of a professional team with an average of over 10 year of expertise in the distribution of electronic components. Based in Hongkong, we have already established firm and mutual-benefit business relationships with customers from,Europe,America and south Asia,supplying obsolete and hard-to-find components to meet their specific needs.

With the principle of “Quality Parts,Customers Priority,Honest Operation,and Considerate Service”,our business mainly focus on the distribution of electronic components. Line cards we deal with include Microchip,ALPS,ROHM,Xilinx,Pulse,ON,Everlight and Freescale. Main products comprise IC,Modules,Potentiometer,IC Socket,Relay,Connector.Our parts cover such applications as commercial,industrial, and automotives areas.

We are looking forward to setting up business relationship with you and hope to provide you with the best service and solution. Let us make a better world for our industry!



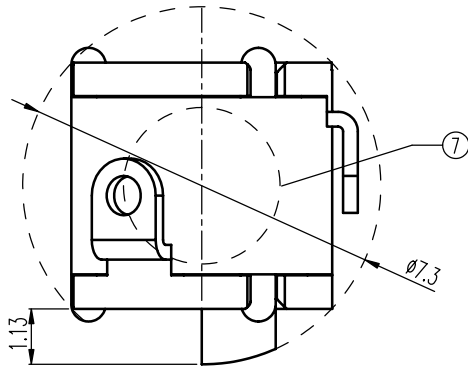
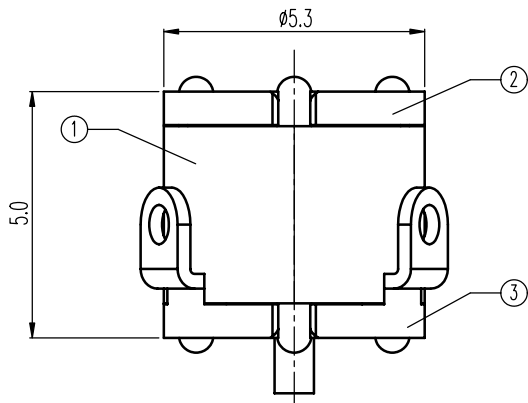
## Contact us

Tel: +86-755-8981 8866 Fax: +86-755-8427 6832

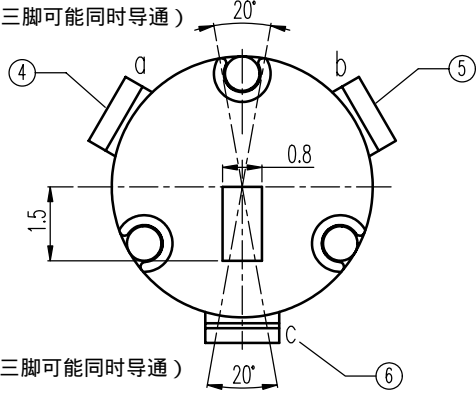
Email & Skype: info@chipsmall.com Web: www.chipsmall.com

Address: A1208, Overseas Decoration Building, #122 Zhenhua RD., Futian, Shenzhen, China

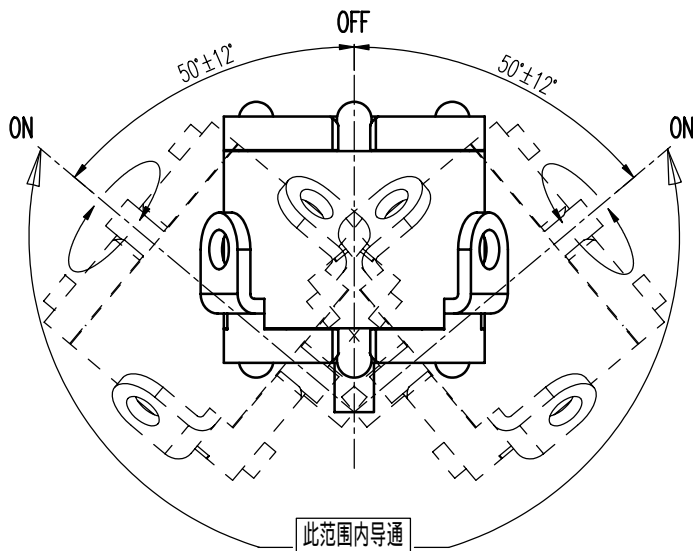
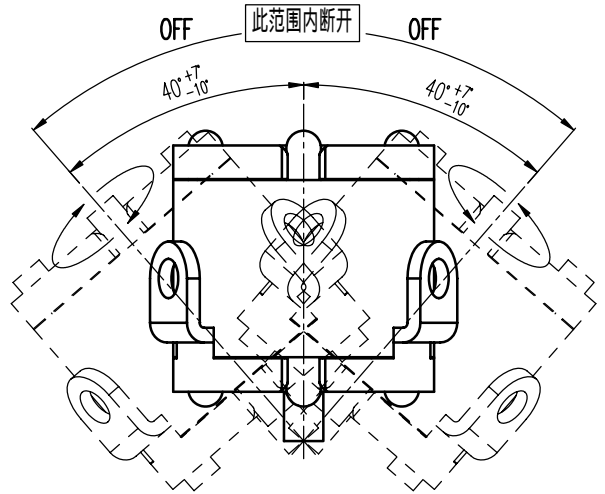




(此范围内三脚可能同时导通)

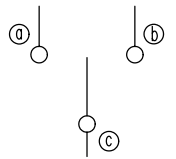


(此范围内三脚可能同时导通)



此范围内导通

电路示意图 CIRCUIT SCHEMATIC



规格 Specifications ①

额定负荷 Ratings	DC 3V 1mA
绝缘电阻 Insulation Resistance	DC 500V 60±5Sec. 10MΩ Min.
抗电强度 Dielectric Voltage	AC 500V 60±5Sec.
负荷寿命 Operating Life With Load	100,000次
专利申请号 Requisition of patent No	China: 200720118725.6

7	铜珠 BALL	BRASS	1	Au PLATED				
6	端子C TERMINAL C	C2680R	1	Au PLATED	A05	变更内容详见图中标示处 ①	王小东	2008-1-17
5	端子B TERMINAL B	C2680R	1	Au PLATED	A04	变更初始导通角度公差为50±12°, 见标示 ③	王小东	2007/5/15
4	端子A TERMINAL A	C2680R	1	Au PLATED	A03	增加专利号内容, 详见图中标示处 ①	王小东	2007/3/15
3	胶盖B COVER B	PA	1	BLACK C	A02	变更内容详见图中标示处 ①	王小东	07-01-26
2	胶盖A COVER A	PA	1	BLACK C	A01		王小东	07-01-23
1	胶壳 HOUSING	PA	1	BLACK C	标号 REV	内容 DESCRIPTION	签名 SIGN.	日期 DATE
序号 NO.	零件 PART	材料 MATERIAL	数量 QTY	备注 REMARKS	DWG NO. ITEM2793			

TOLERANCES UNLESS OTHERWISE SPEC.		TITLE	ROLLING BALL SENSOR ①		ITEM NO	RB-3R0232-50		
UNDER 1	± 0.10	DRAWN	王小东	2008-1-17	VERSION	A05	PAGE 1	OF 1
1 - 10	± 0.30	REVIEWED	方勇	2008-1-18	SCALE		UNIT	mm
OVER 10	± 0.50	APPROVED	程先金	2008-1-18	PROJECTION			

**COMAX** ELECTRONICS (HUIZHOU) CO.,LTD.