



Chipsmall Limited consists of a professional team with an average of over 10 year of expertise in the distribution of electronic components. Based in Hongkong, we have already established firm and mutual-benefit business relationships with customers from,Europe,America and south Asia,supplying obsolete and hard-to-find components to meet their specific needs.

With the principle of “Quality Parts,Customers Priority,Honest Operation,and Considerate Service”,our business mainly focus on the distribution of electronic components. Line cards we deal with include Microchip,ALPS,ROHM,Xilinx,Pulse,ON,Everlight and Freescale. Main products comprise IC,Modules,Potentiometer,IC Socket,Relay,Connector.Our parts cover such applications as commercial,industrial, and automotives areas.

We are looking forward to setting up business relationship with you and hope to provide you with the best service and solution. Let us make a better world for our industry!



Contact us

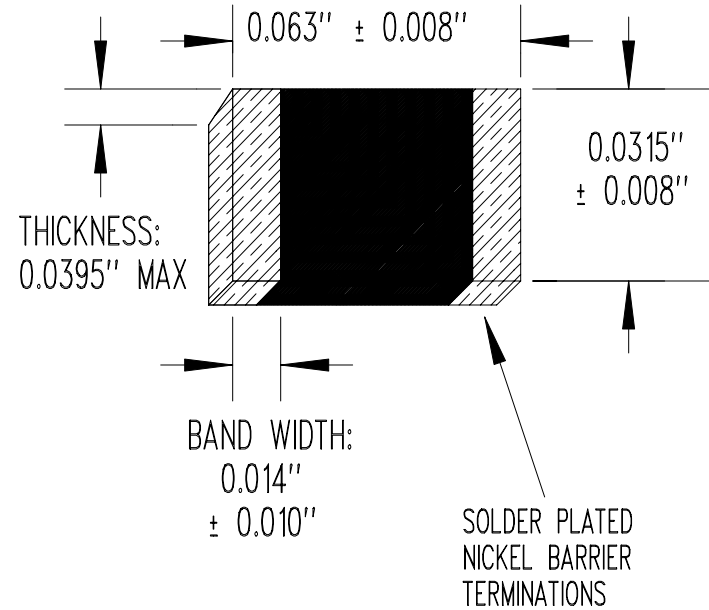
Tel: +86-755-8981 8866 Fax: +86-755-8427 6832

Email & Skype: info@chipsmall.com Web: www.chipsmall.com

Address: A1208, Overseas Decoration Building, #122 Zhenhua RD., Futian, Shenzhen, China



RESISTANCE/TEMPERATURE TABLE			
TEMP (°C)	RESIS (Ω)	TEMP (°C)	RESIS (Ω)
-40	220,820	45	4,642
-35	164,674	50	3,875
-30	124,193	55	3,247
-25	94,660	60	2,732
-20	72,873	65	2,308
-15	56,631	70	1,956
-10	44,402	75	1,664
-5	35,108	80	1,420
0	27,980	85	1,216
5	22,469	90	1,047
10	18,172	95	904.9
15	14,797	100	784.7
20	12,127	105	682.8
25	10,000	110	595.9
30	8,196	115	521.7
35	6,750	120	458.1
40	5,585	125	403.4



RESISTANCE @ +25°C = 10,000 Ω ± 5%
 BETA "β" (0 TO +50°C) = 3,712°K NOMINAL
 BETA "β" (+25 TO +85°C) = 3,750°K NOMINAL
 POWER RATING = 150 mW
 OPERATING TEMPERATURE RANGE = -40 TO +125°C

SEE MANUFACTURING SPECIFICATION (LAYER 1)

"B"	ADDED RESISTANCE VERSUS TEMPERATURE CHART	12/11/03	DD
"A"	BANDWIDTH DIMENSION WAS 0.005" MINIMUM	11/14/03	DD
NONE	RELEASE TO PRODUCTION	09/15/03	DD
REV	REVISION RECORD	DATE	APP

SCALE	NONE	U.S. SENSOR CORP. 1832 W. COLLINS AVE. ORANGE, CA. 92867 714-639-1000 www.ussensor.com
DRAWN BY	DAN DANKERT	
DATE	09/15/03	
REV.	"B"	
LAYER	0 OF 2	THERMISTOR, NTC CHIP P/N RB103G0J