



Chipsmall Limited consists of a professional team with an average of over 10 year of expertise in the distribution of electronic components. Based in Hongkong, we have already established firm and mutual-benefit business relationships with customers from,Europe,America and south Asia,supplying obsolete and hard-to-find components to meet their specific needs.

With the principle of “Quality Parts,Customers Priority,Honest Operation,and Considerate Service”,our business mainly focus on the distribution of electronic components. Line cards we deal with include Microchip,ALPS,ROHM,Xilinx,Pulse,ON,Everlight and Freescale. Main products comprise IC,Modules,Potentiometer,IC Socket,Relay,Connector.Our parts cover such applications as commercial,industrial, and automotives areas.

We are looking forward to setting up business relationship with you and hope to provide you with the best service and solution. Let us make a better world for our industry!



Contact us

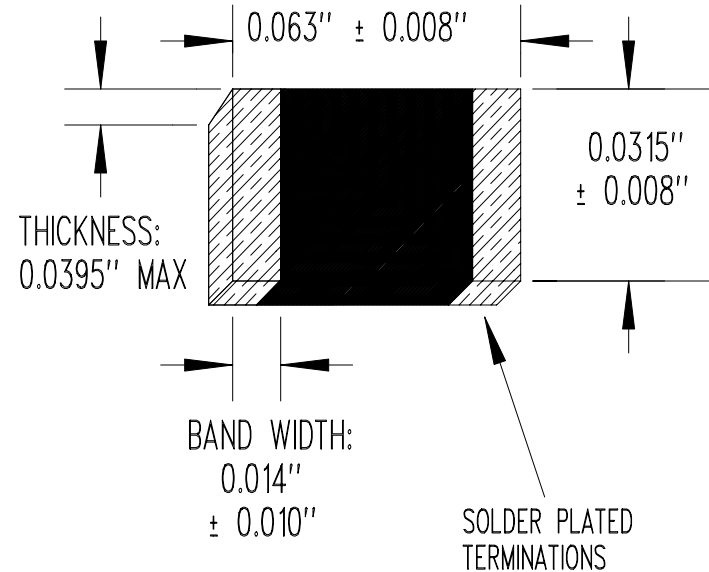
Tel: +86-755-8981 8866 Fax: +86-755-8427 6832

Email & Skype: info@chipsmall.com Web: www.chipsmall.com

Address: A1208, Overseas Decoration Building, #122 Zhenhua RD., Futian, Shenzhen, China



RESISTANCE/TEMPERATURE TABLE			
TEMP (°C)	RESIS (Ω)	TEMP (°C)	RESIS (Ω)
-40	7,555,901	45	83,102
-35	5,415,994	50	67,671
-30	3,924,103	55	55,390
-25	2,872,210	60	45,564
-20	2,122,601	65	37,660
-15	1,582,986	70	31,269
-10	1,190,799	75	26,076
-5	903,155	80	21,838
0	690,356	85	18,362
5	531,625	90	15,505
10	412,293	95	13,143
15	321,908	100	11,182
20	252,958	105	9,547
25	200,000	110	8,179
30	159,135	115	7,030
35	127,405	120	6,061
40	102,606	125	5,242



RESISTANCE @ +25°C = 200,000 Ω ± 5%
 BETA "β" (+25 TO +85°C) = 4,250°K NOMINAL
 POWER RATING = 150 mW
 OPERATING TEMPERATURE RANGE = -40 TO +125°C

SEE MANUFACTURING SPECIFICATION (LAYER 1)

NONE	RELEASE TO PRODUCTION	12/05/03	DD
REV	REVISION RECORD	DATE	APP

SCALE NONE	U.S. SENSOR CORP. 1832 W. COLL INS AVE. ORANGE, CA. 92867 714-639-1000 www.ussensor.com
DRAWN BY DAN DANKERT	
DATE 12/05/03	
REV. NONE	
LAYER 0 OF 2	
THERMISTOR, NTC CHIP	
P/N RB204R0J	