



Chipsmall Limited consists of a professional team with an average of over 10 year of expertise in the distribution of electronic components. Based in Hongkong, we have already established firm and mutual-benefit business relationships with customers from,Europe,America and south Asia,supplying obsolete and hard-to-find components to meet their specific needs.

With the principle of “Quality Parts,Customers Priority,Honest Operation,and Considerate Service”,our business mainly focus on the distribution of electronic components. Line cards we deal with include Microchip,ALPS,ROHM,Xilinx,Pulse,ON,Everlight and Freescale. Main products comprise IC,Modules,Potentiometer,IC Socket,Relay,Connector.Our parts cover such applications as commercial,industrial, and automotives areas.

We are looking forward to setting up business relationship with you and hope to provide you with the best service and solution. Let us make a better world for our industry!



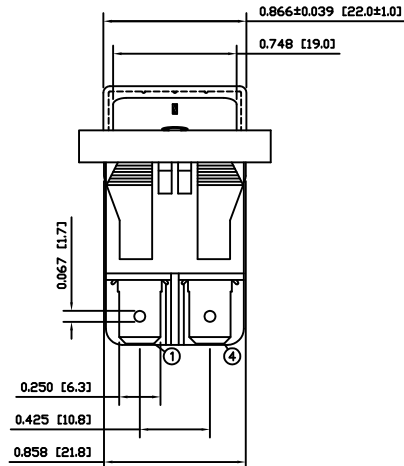
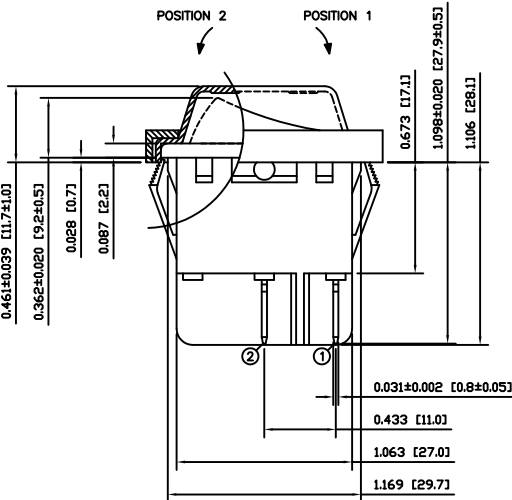
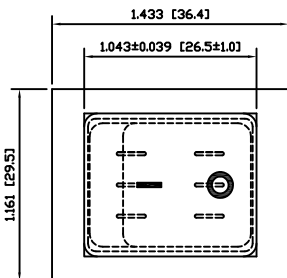
## Contact us

Tel: +86-755-8981 8866 Fax: +86-755-8427 6832

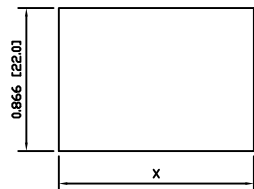
Email & Skype: info@chipsmall.com Web: www.chipsmall.com

Address: A1208, Overseas Decoration Building, #122 Zhenhua RD., Futian, Shenzhen, China



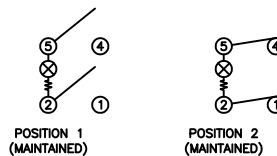


SUGGESTED PANEL CUTOUT



PANEL THICKNESS	X
0.030~0.049 [0.75~1.25]	1.189 [30.2]
0.049~0.079 [1.25~2.00]	1.200 [30.5]

SCHEMATIC



SPECIFICATIONS

**FUNCTION:**  
2P1T OFF-ON

**RATINGS:**  
ANSI/UL 1054 and CAN/CSA C22.2 No. 55 (E194579):  
20A 125VAC [UR, cUR]  
16A 125VAC 1/4HP [cURus]  
16A 250VAC 1/4HP [cURus]  
6.9A 250VAC 3/4HP [cURus]

ANSI/UL 1054 (233821):  
16A 125VAC 1/4HP [CSAus]  
16A 250VAC 1/4HP [CSAus]

EN 61058-1:2002 and DIN/VDE 0630-1:2003-03 (40017928):  
16(8) 250V~ T125/55 1E4 [ENEC10, VDE]  
10(2) 250V~ T125/55 5E4 [ENEC10, VDE]  
16(4) 250V~ T125/55 1E4 [ENEC10, VDE]

**ILLUMINATION VOLTAGE:**  
125V

**CONTACT RESISTANCE:**  
Initial: 20mΩ Max.

**INSULATION RESISTANCE:**  
100MΩ Min. at 500VDC

**DIELECTRIC STRENGTH:**  
1,000VAC For 1 Minute

**ELECTRICAL LIFE:**  
6,000 Cycles [cURus, CSAus]  
10,000 Cycles [ENEC10, VDE: 16(8)A 250V~]  
50,000 Cycles [ENEC10, VDE: 10(2)A 250V~]

**TEMPERATURE:**  
-20°C to 65°C [cURus]  
-20°C to 125°C [ENEC10, VDE]

**APPROVALS:**

COLORS AND MARKINGS

**BODY:**  
Black

**ACTUATOR:**  
Transparent Green

**MARKING:**  
I/O Vertical (1)

**MARKING COLOR:**  
White

**FRAME:**  
Black

MATERIALS

**BODY:**  
Polyamide 6/6 (PA66), UL94 V-2

**ACTUATOR:**  
Polycarbonate (PC), UL94 V-2

**LAMP CARRIER:**  
Polyamide 6/6 (PA66), UL94 V-2

**LAMP:**  
Neon Bulb

**SPRING:**  
Piano Wire

**CONTACTS:**  
Silver Alloy

**TERMINALS:**  
Silver Plated Copper  
Silver Plated Brass

**CAP:**  
Polyvinyl Chloride (PVC)

**FRAME:**  
Polyamide 6/6 (PA66), UL94 V-2

ACTUATOR	A	09/07/02	CAB
BODY	A	09/07/06	CAB
COLORS	A	09/06/13	CAB
MATERIALS	A	09/07/06	CAB
SPECIFICATIONS	A	09/07/02	CAB
REFERENCE	REV.	DATE	BY

THE INFORMATION CONTAINED IN THIS DOCUMENT IS PROPRIETARY TO E-SWITCH AND IS NOT TO BE COPIED OR TRANSFERRED

REV.	DESCRIPTION	20363	12/22/11	BMA
A	INITIAL RELEASE	18993	10/02/22	CAB
REV.	DESCRIPTION	PCR	DATE	DRAWN BY

DIMENSIONS	
INCHES [MILLIMETERS]	
GENERAL TOLERANCES	
±0.008 [±0.2] / ±1'	
SCALE	PROJECTION
DRAWING NOT TO SCALE	

RB242D1021-136ACCF021			
ITEM NUMBER	DATE	REVISION	
14-RB2S00055	FEBRUARY 22, 2010	B	