



Chipsmall Limited consists of a professional team with an average of over 10 year of expertise in the distribution of electronic components. Based in Hongkong, we have already established firm and mutual-benefit business relationships with customers from,Europe,America and south Asia,supplying obsolete and hard-to-find components to meet their specific needs.

With the principle of “Quality Parts,Customers Priority,Honest Operation,and Considerate Service”,our business mainly focus on the distribution of electronic components. Line cards we deal with include Microchip,ALPS,ROHM,Xilinx,Pulse,ON,Everlight and Freescale. Main products comprise IC,Modules,Potentiometer,IC Socket,Relay,Connector.Our parts cover such applications as commercial,industrial, and automotives areas.

We are looking forward to setting up business relationship with you and hope to provide you with the best service and solution. Let us make a better world for our industry!



## Contact us

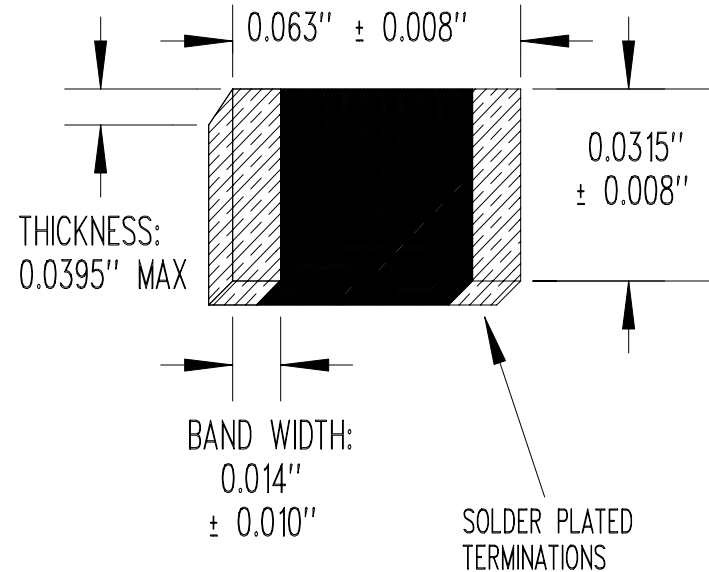
Tel: +86-755-8981 8866 Fax: +86-755-8427 6832

Email & Skype: info@chipsmall.com Web: www.chipsmall.com

Address: A1208, Overseas Decoration Building, #122 Zhenhua RD., Futian, Shenzhen, China



RESISTANCE/TEMPERATURE TABLE			
TEMP (°C)	RESIS (Ω)	TEMP (°C)	RESIS (Ω)
-40	133,767	45	1,038
-35	90,996	50	849.9
-30	62,912	55	700.4
-25	44,162	60	581.0
-20	31,447	65	485.1
-15	22,696	70	407.5
-10	16,590	75	344.2
-5	12,272	80	292.4
0	9,182	85	249.7
5	6,944	90	214.3
10	5,304	95	184.8
15	4,091	100	160.1
20	3,184	105	139.3
25	2,500	110	121.7
30	1,982	115	106.8
35	1,585	120	94.04
40	1,278	125	83.14



RESISTANCE @ +25°C = 2,500 Ω ± 5%  
 BETA "β" (+25 TO +85°C) = 4,100°K NOMINAL  
 POWER RATING = 150 mW  
 OPERATING TEMPERATURE RANGE = -40 TO +125°C

SEE MANUFACTURING SPECIFICATION (LAYER 1)

NONE	RELEASE TO PRODUCTION	12/11/03	DD
REV	REVISION RECORD	DATE	APP

SCALE NONE	<b>U.S. SENSOR CORP.</b> 1832 W. COLL INS AVE. ORANGE, CA. 92867 714-639-1000 www.ussensor.com <b>THERMISTOR, NTC CHIP</b> <b>P/N RB252LOJ</b>
DRAWN BY DAN DANKERT	
DATE 12/11/03	
REV. NONE	
LAYER 0 OF 2	