



Chipsmall Limited consists of a professional team with an average of over 10 year of expertise in the distribution of electronic components. Based in Hongkong, we have already established firm and mutual-benefit business relationships with customers from,Europe,America and south Asia,supplying obsolete and hard-to-find components to meet their specific needs.

With the principle of “Quality Parts,Customers Priority,Honest Operation,and Considerate Service”,our business mainly focus on the distribution of electronic components. Line cards we deal with include Microchip,ALPS,ROHM,Xilinx,Pulse,ON,Everlight and Freescale. Main products comprise IC,Modules,Potentiometer,IC Socket,Relay,Connector.Our parts cover such applications as commercial,industrial, and automotives areas.

We are looking forward to setting up business relationship with you and hope to provide you with the best service and solution. Let us make a better world for our industry!



Contact us

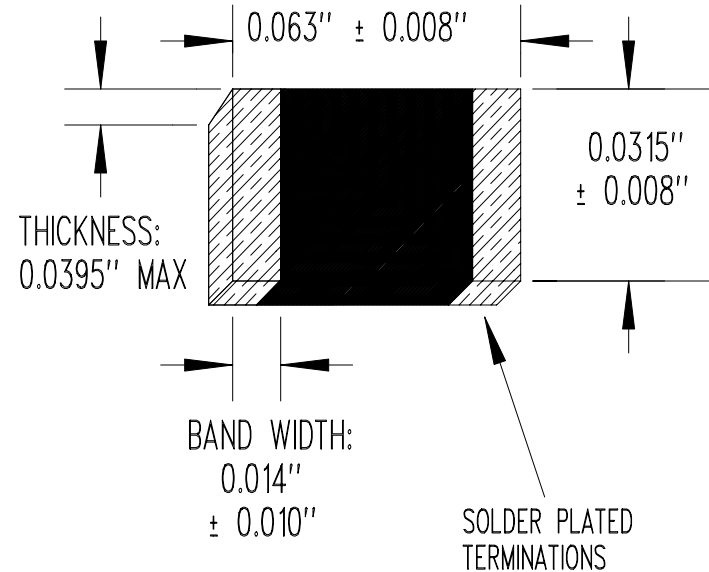
Tel: +86-755-8981 8866 Fax: +86-755-8427 6832

Email & Skype: info@chipsmall.com Web: www.chipsmall.com

Address: A1208, Overseas Decoration Building, #122 Zhenhua RD., Futian, Shenzhen, China



RESISTANCE/TEMPERATURE TABLE			
TEMP (°C)	RESIS (Ω)	TEMP (°C)	RESIS (Ω)
-40	9,205	45	255.7
-35	6,978	50	218.9
-30	5,348	55	188.2
-25	4,139	60	162.6
-20	3,235	65	141.0
-15	2,551	70	122.8
-10	2,029	75	107.3
-5	1,627	80	94.09
0	1,314	85	82.81
5	1,069	90	73.15
10	875.9	95	64.82
15	722.2	100	57.62
20	599.2	105	51.37
25	500.0	110	45.93
30	419.5	115	41.18
35	353.9	120	37.02
40	300.0	125	33.37



RESISTANCE @ +25°C = 500 Ω ± 5%
 BETA "β" (+25 TO +85°C) = 3,200°K NOMINAL
 POWER RATING = 150 mW
 OPERATING TEMPERATURE RANGE = -40 TO +125°C

SEE MANUFACTURING SPECIFICATION (LAYER 1)

NONE	RELEASE TO PRODUCTION	12/08/03	DD
REV	REVISION RECORD	DATE	APP

SCALE NONE	U.S. SENSOR CORP. 1832 W. COLLINS AVE. ORANGE, CA. 92867 714-639-1000 www.ussensor.com THERMISTOR, NTC CHIP P/N RB501DOJ
DRAWN BY DAN DANKERT	
DATE 12/08/03	
REV. NONE	
LAYER 0 OF 2	