



Chipsmall Limited consists of a professional team with an average of over 10 year of expertise in the distribution of electronic components. Based in Hongkong, we have already established firm and mutual-benefit business relationships with customers from,Europe,America and south Asia,supplying obsolete and hard-to-find components to meet their specific needs.

With the principle of "Quality Parts,Customers Priority,Honest Operation,and Considerate Service",our business mainly focus on the distribution of electronic components. Line cards we deal with include Microchip,ALPS,ROHM,Xilinx,Pulse,ON,Everlight and Freescale. Main products comprise IC,Modules,Potentiometer,IC Socket,Relay,Connector.Our parts cover such applications as commercial,industrial, and automotives areas.

We are looking forward to setting up business relationship with you and hope to provide you with the best service and solution. Let us make a better world for our industry!



Contact us

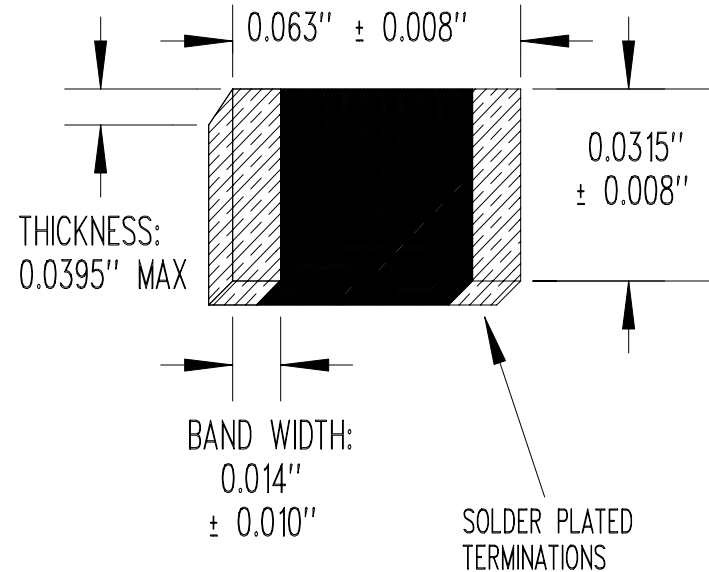
Tel: +86-755-8981 8866 Fax: +86-755-8427 6832

Email & Skype: info@chipsmall.com Web: www.chipsmall.com

Address: A1208, Overseas Decoration Building, #122 Zhenhua RD., Futian, Shenzhen, China



RESISTANCE/TEMPERATURE TABLE			
TEMP (°C)	RESIS (Ω)	TEMP (°C)	RESIS (Ω)
-40	1,705,167	45	21,732
-35	1,225,673	50	17,903
-30	891,539	55	14,827
-25	655,792	60	12,342
-20	487,505	65	10,323
-15	366,037	70	8,675
-10	277,441	75	7,322
-5	212,176	80	6,207
0	163,645	85	5,283
5	127,233	90	4,519
10	99,681	95	3,880
15	78,664	100	3,345
20	62,509	105	2,894
25	50,000	110	2,513
30	40,224	115	2,189
35	32,566	120	1,914
40	26,526	125	1,678



RESISTANCE @ +25°C = 50,000 Ω ± 5%
 BETA "β" (+25 TO +85°C) = 4,000°K NOMINAL
 POWER RATING = 150 mW
 OPERATING TEMPERATURE RANGE = -40 TO +125°C

SEE MANUFACTURING SPECIFICATION (LAYER 1)

NONE	RELEASE TO PRODUCTION	12/12/03	DD
REV	REVISION RECORD	DATE	APP

SCALE	NONE	U.S. SENSOR CORP. 1832 W. COLLINS AVE. ORANGE, CA. 92867 714-639-1000 www.ussensor.com
DRAWN BY	DAN DANKERT	
DATE	12/12/03	
REV.	NONE	
LAYER	0 OF 2	
		THERMISTOR, NTC CHIP
		P/N RB503K0J