



Chipsmall Limited consists of a professional team with an average of over 10 year of expertise in the distribution of electronic components. Based in Hongkong, we have already established firm and mutual-benefit business relationships with customers from,Europe,America and south Asia,supplying obsolete and hard-to-find components to meet their specific needs.

With the principle of “Quality Parts,Customers Priority,Honest Operation,and Considerate Service”,our business mainly focus on the distribution of electronic components. Line cards we deal with include Microchip,ALPS,ROHM,Xilinx,Pulse,ON,Everlight and Freescale. Main products comprise IC,Modules,Potentiometer,IC Socket,Relay,Connector.Our parts cover such applications as commercial,industrial, and automotives areas.

We are looking forward to setting up business relationship with you and hope to provide you with the best service and solution. Let us make a better world for our industry!



Contact us

Tel: +86-755-8981 8866 Fax: +86-755-8427 6832

Email & Skype: info@chipsmall.com Web: www.chipsmall.com

Address: A1208, Overseas Decoration Building, #122 Zhenhua RD., Futian, Shenzhen, China



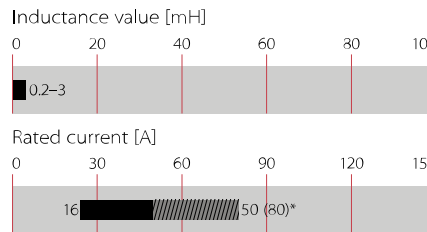
Current-compensated Chokes



- Rated currents from 16 to 50 A
- Up to 600 VAC or 1000 VDC
- 2- and 3-wire configurations
- Horizontal and vertical PCB mounting types
- Ruggedized saturation and thermal behavior
- Open construction for forced and convection cooling
- Straightforward pin-out for easy PCB design



Performance indicators



Technical specifications

Maximum continuous operating voltage	600 VAC/1000 VDC
Operating frequency	DC to 400 Hz
Rated currents	16 to 50 A @ 60°C max. convection cooling
High potential test voltage	
winding-to-winding	2500 VAC, 60 sec, guaranteed, 2 sec factory test
Temperature range (operation and storage)	-40°C to +125°C (40/125/21)
Flammability corresponding to	UL 94 V-0
Cooling	convection/forced cooling
MTBF @ 40°C/230 V (Mil-HB-217F)	>5,000,000 hours

Approvals

ROHS

RB common-mode chokes are mainly used to filter EMI noise on AC power lines up to 600 VAC but they are as well applicable in DC power lines of photovoltaic installations or similar applications up to 1000 VDC. EMI noise of electronic equipment can go to the power lines and disturb the proper function of other devices like TV sets or radios. Thus noise generated by the equipment from switched power electronics or by high slew rates of controllers needs to be filtered. RB common-mode chokes are used to suppress EMI noise in PCB integrated filter designs with line bypass capacitors or in combination with single phase filters for extra low leakage filter designs.

Features and benefits

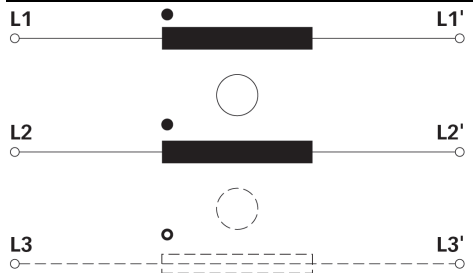
- Cost-effective PCB designs for up to 80 A with forced cooling *
- Compact size and light weight
- Low magnetic leakage flux
- Excellent winding insulation
- Standardized foot print
- Broad range of inductance ratings
- Custom-specific versions on request
- Evaluation Board and PCB footprints available

* See Application Note for forced cooling

Typical applications

- AC and DC filtering for midsize power range drives, photovoltaic inverters, fast chargers, charging stations, UPS and switch mode power supplies
- Filter with low leakage current noise or improved immunity against grid disturbances
- Electronic devices, automation
- Converters

Typical electrical schematic



RB Series

Selection table	convection	*forced cooling	Inductance	Inductance	Resistance	Choke	Ø Pin	Length	Weight	Eval.
	cooling nominal current @ 60°C [A]	3 m/s nominal current @ 60°C [A]	Ln @ 25°C [mH/path]	Ls @ 25°C [µH/path]	R @ 25°C [mΩ/path]	[size]	D [mm]	Pin L [mm]	[g]	Board No.
RB 6122-16-1M0	16	25	1.00	6.3	4.8	1	2.0 ±0.1	4.5 ±0.5	130	1
RB 6122-25-0M6	25	39	0.64	4.0	2.7	1	2.4 ±0.1	4.5 ±0.5	135	1
RB 6122-36-0M5	36	53	0.45	3.6	1.5	2	2.2 ±0.1	4.5 ±0.5	180	1
RB 6122-50-0M3	50	80	0.25	1.8	0.9	2	2.5 ±0.1	5.0 ±0.5	172	1
RB 6522-16-1M0	16	25	1.00	6.2	4.6	3	2.0 ±0.1	4.5 ±0.5	132	2
RB 6522-25-0M6	25	39	0.64	3.9	2.6	3	2.4 ±0.1	4.5 ±0.5	126	2
RB 6522-36-0M5	36	53	0.45	3.6	1.5	4	2.2 ±0.1	4.5 ±0.5	180	2
RB 6522-50-0M3	50	80	0.25	2.0	0.9	4	2.5 ±0.1	5.0 ±0.5	175	2
RB 8522-16-3M0	16	25	3.00	22.2	8.4	4	2.0 ±0.1	4.5 ±0.5	172	3
RB 8522-25-2M0	25	39	2.00	13.6	4.2	5	2.6 ±0.1	5.0 ±0.5	268	3
RB 8522-36-1M5	36	53	1.50	12.8	3.0	6	2.2 ±0.1	4.5 ±0.5	440	3
RB 8522-50-0M8	50	83	0.75	6.5	1.7	6	2.5 ±0.1	5.0 ±0.5	430	3
RB 6132-16-0M8	16	26.5	0.80	5.8	4.6	7	2.0 ±0.1	4.5 ±0.5	162	4
RB 6132-25-0M5	25	41	0.47	3.3	2.4	7	2.5 ±0.1	5.0 ±0.5	175	4
RB 6132-36-0M4	36	60	0.42	2.9	1.4	8	2.2 ±0.1	4.5 ±0.5	278	5
RB 6132-50-0M2	50	80	0.18	1.9	0.9	8	2.5 ±0.1	5.0 ±0.5	765	5
RB 6532-16-0M8	16	26.5	0.80	6.9	4.7	9	2.0 ±0.1	4.5 ±0.5	165	6
RB 6532-25-0M5	25	41	0.47	3.6	2.4	9	2.5 ±0.1	5.0 ±0.5	180	6
RB 6532-36-0M4	36	60	0.42	4.2	1.5	10	2.2 ±0.1	4.5 ±0.5	280	6
RB 6532-50-0M2	50	81	0.18	1.5	0.8	10	2.5 ±0.1	5.0 ±0.5	168	6
RB 8532-16-1M3	16	27	1.30	9.1	5.7	9	2.0 ±0.1	4.5 ±0.5	167	7
RB 8532-25-0M9	25	41	0.94	6.7	3.0	11	2.0 ±0.1	5.0 ±0.5	282	7
RB 8532-36-0M8	36	58	0.83	7.3	2.3	12	2.4 ±0.1	4.5 ±0.5	478	7
RB 8532-50-0M3	50	82	0.33	3.1	1.2	12	2.2 ±0.1	5.0 ±0.5	442	7

Test conditions:

Measuring frequency: 1 kHz; 500 µA >0.16 mH <1.6 mH; 50 µA >1.6 mH <160 mH

Inductance tolerance: +50%, -30%

Resistance tolerance: ±15% @ 25°C

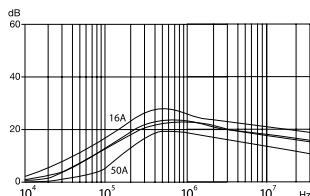
Electrical characteristics @ 25°C: ±2°C

* typical current for forced cooling with 3 m/s. Due to the possible turbulences and degradation of the air stream within an equipment please consider thermal validation.

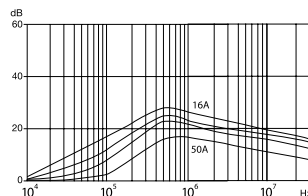
Typical choke attenuation/resonance frequency characteristics

Per CISPR 17; 50 Ω/50 Ω asym

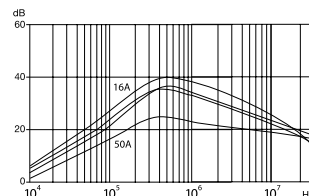
RB 6122, RB 6522



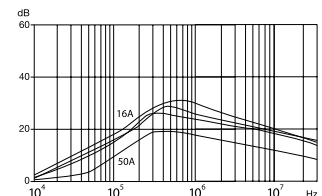
RB 6132, RB 6532



RB 8522



RB 8532



Product selector

RB xxxx-xx-xmx

Inductance value (e.g. 9M6 = 9.6 mH)

Nominal input current [A] (convection cooling)

Terminal type (2 for PCB pin)

2 = 2-wire choke

3 = 3-wire choke

1 = Horizontal

5 = Vertical

8 = high inductance series

6 = low inductance series

Schaffner standard ring-core choke series RB

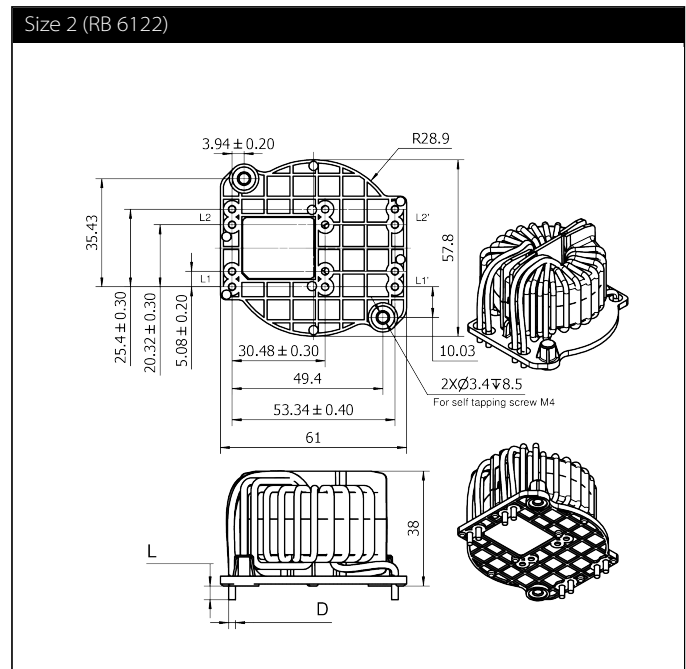
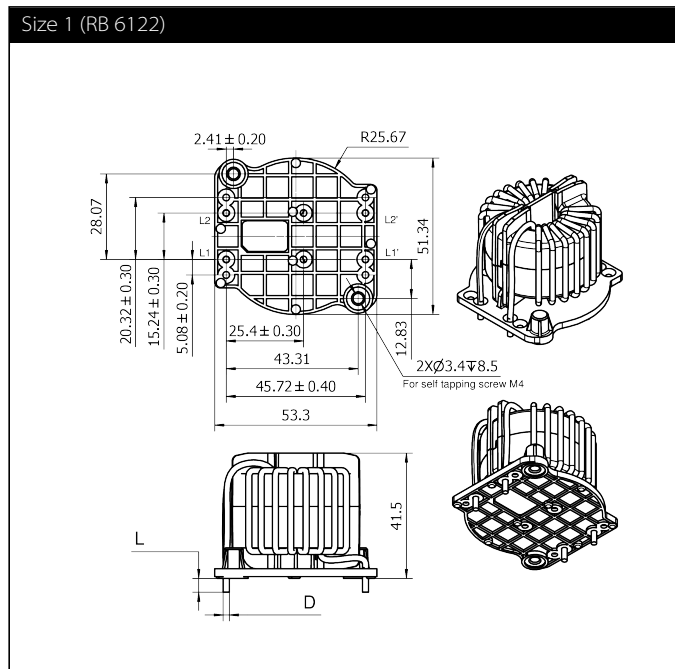
Examples:

RB 8532-16-1M3: Vertical 3-wire high inductance choke with PCB pins, for 16 A, with 1.3 mH

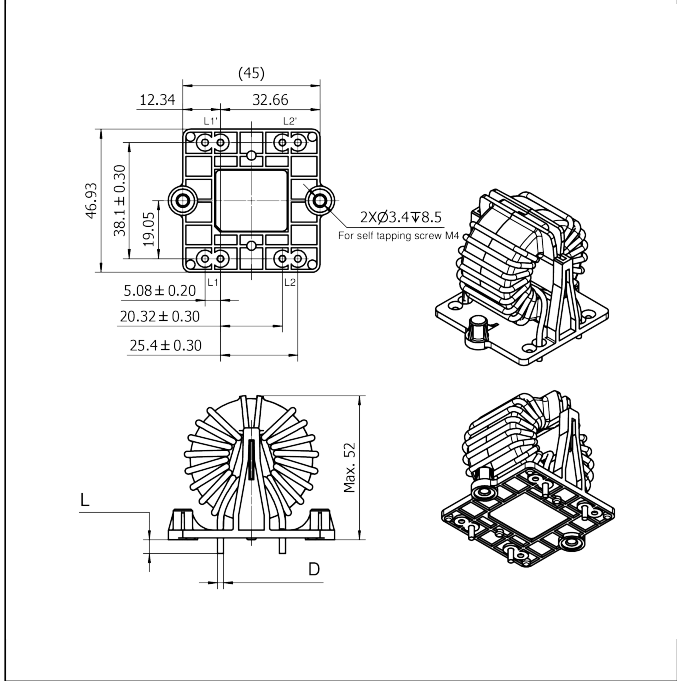
RB 6122-50-0M3: Horizontal 2-wire low inductance choke with PCB pins, for 50 A, with 0.3 mH

Mechanical data: 1-phase / DC chokes

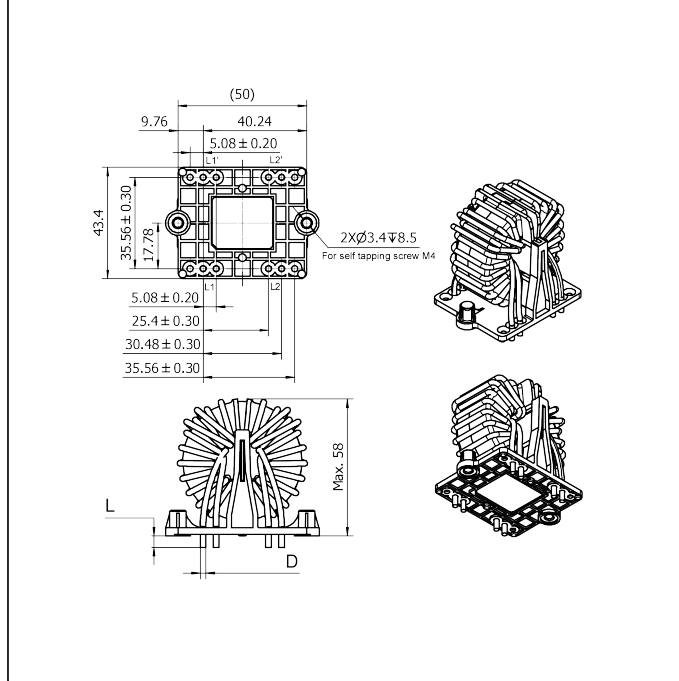
All dimensions in mm



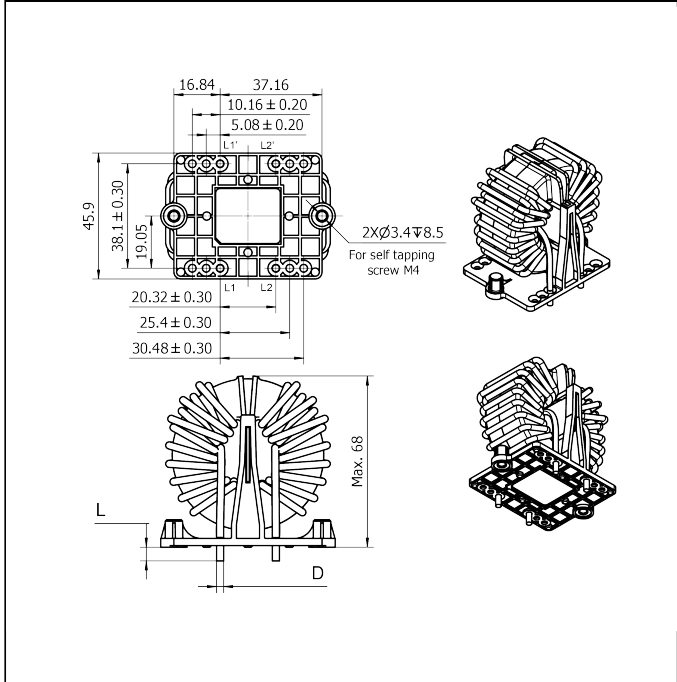
Size 3 (RB 6522)



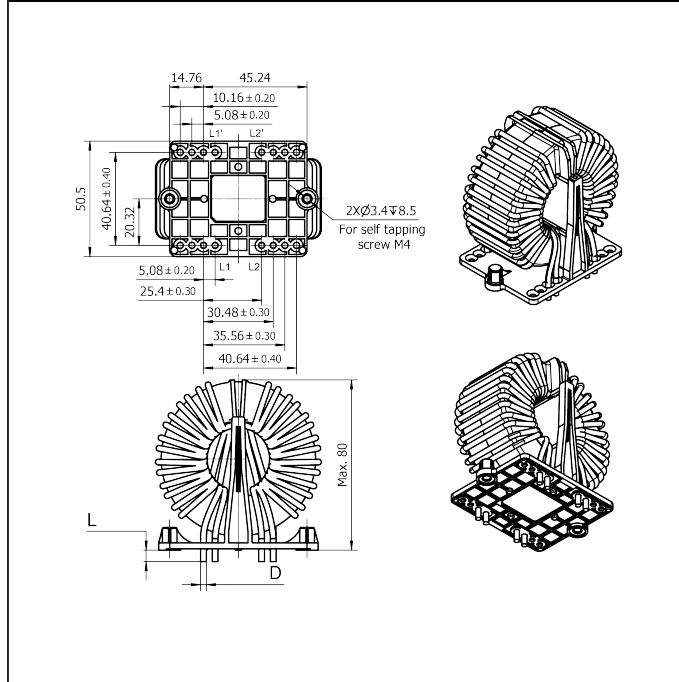
Size 4 (RB 6522/RB 8522)



Size 5 (RB 8522)

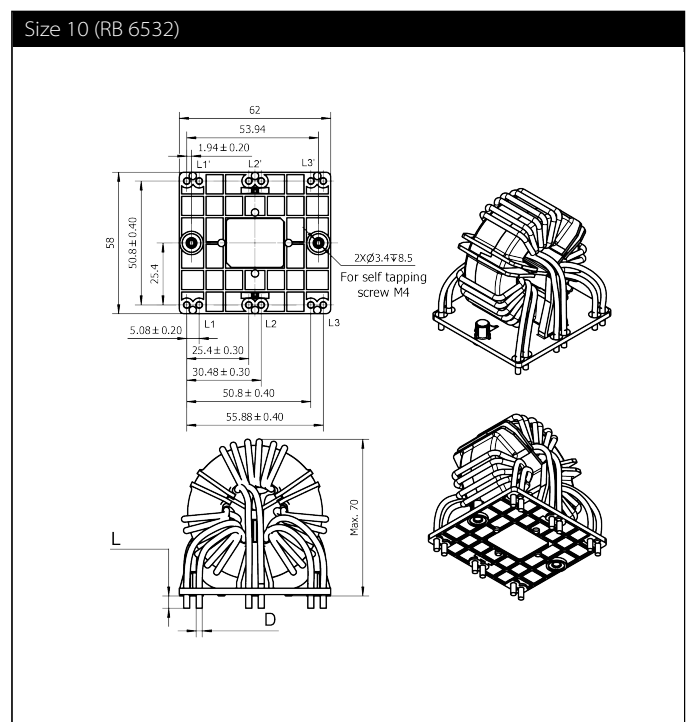
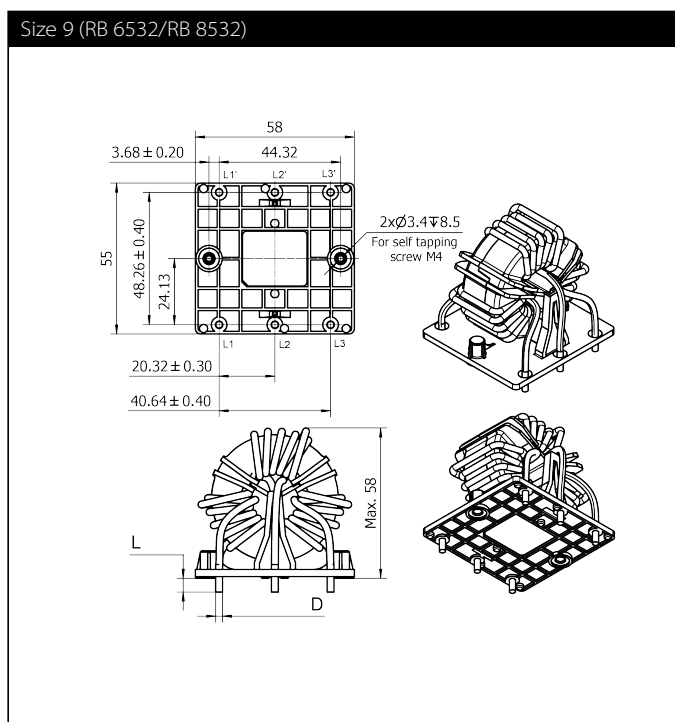
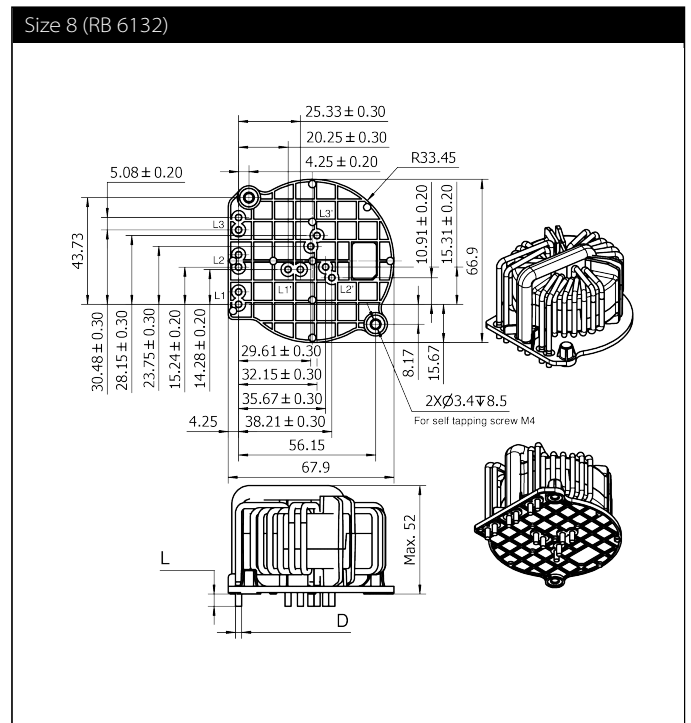
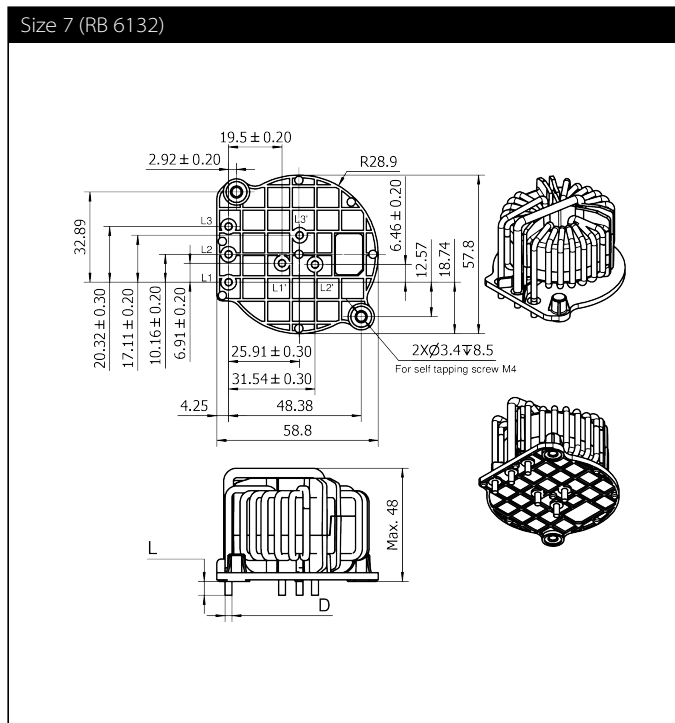


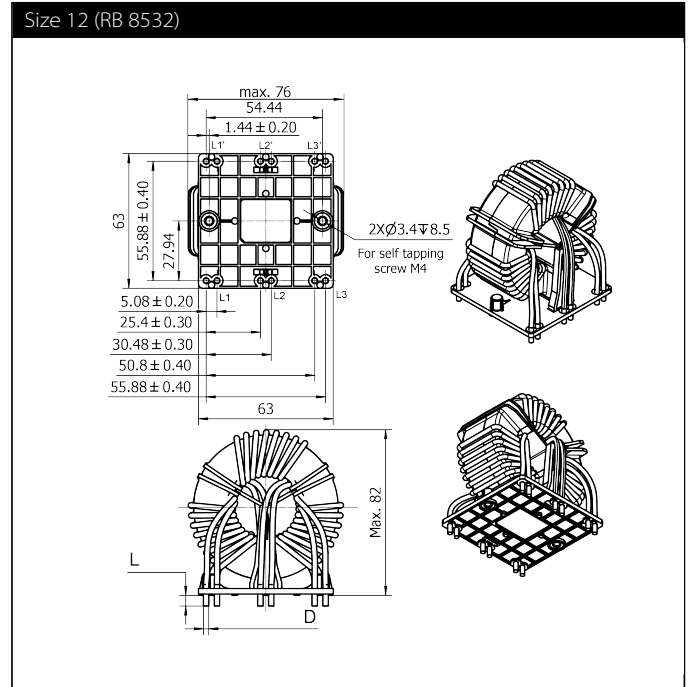
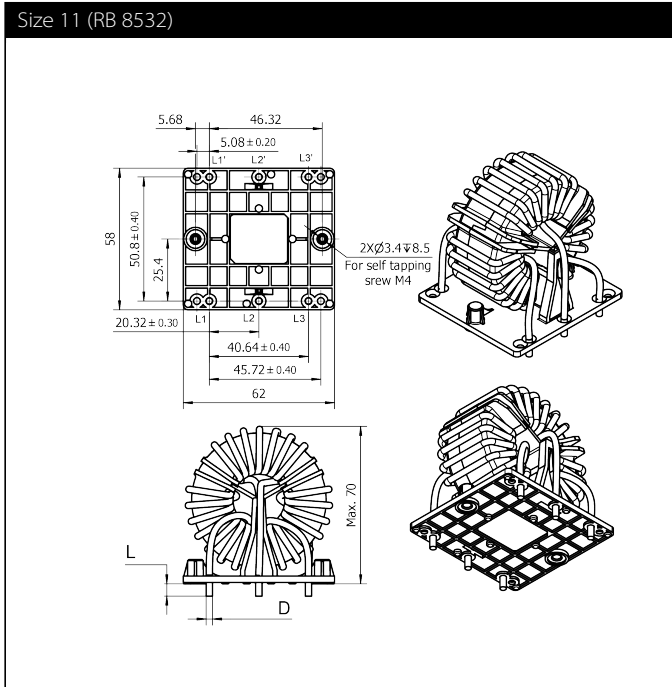
Size 6 (RB 8522)



Mechanical data: 3-phase chokes

All dimensions in mm



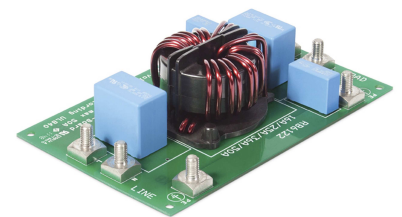


Available Supporting Material

Accessories

For all RB Choke types an Evaluationboard is available (not including Capacitors and RB Chokes)

Selection table RB Choke Type	Nom. Current of RB Choke	Eval. Board	Order Name	Order Code
[RB XXXX]	[Range A]	No		
RB 6122	16 - 50	1	EVA-BOARD FOR RB6122 SERIES	813249
RB 6522	16 - 50	2	EVA-BOARD FOR RB6522 SERIES	813252
RB 8522	16 - 50	3	EVA-BOARD FOR RB8522 SERIES	813254
RB 6132	16 - 25	4	EVA-BOARD FOR RB6132-16/25	813250
RB 6132	36 - 50	5	EVA-BOARD FOR RB6132-36/50	813251
RB 6532	16 - 50	6	EVA-BOARD FOR RB6532 SERIES	813253
RB 8532	16 - 50	7	EVA-BOARD FOR RB8532 SERIES	813255



Application Note

EMC/EMI Filter Design with RB Common Mode-Chokes

This application note addresses experienced engineers, who are familiar with the basics of EMC, and intends to provide additional information about RB choke series and Design support for PCB integrated EMC/EMI filters.

[Link to PDF](#)



Headquarters, global innovation and development

Switzerland

Schaffner Group

Nordstrasse 11
4542 Luterbach
T +41 32 681 66 26
info@schaffner.com
<http://www.schaffner.com>



Sales and application centers

China

Schaffner EMC Ltd. Shanghai

T20-3 C, No 565 Chuangye Road,
Pudong district
201201 Shanghai
T +86 21 3813 9500
cschina@schaffner.com
<http://www.schaffner.com.cn>

Finland

Schaffner Oy

Sauvonrinne 19 H
08500 Lohja
T +358 50 468 7284
finlandsales@schaffner.com

France

Schaffner EMC S.A.S.

16-20 Rue Louis Rameau
95875 Bezons
T +33 1 34 34 30 60
F +33 1 39 47 02 28
francesales@schaffner.com

Germany

Schaffner Deutschland GmbH

Schoemperlenstrasse 12B
76185 Karlsruhe
T +49 721 56910
F +49 721 569110
germanysales@schaffner.com

India

Schaffner India Pvt. Ltd

Unit 59, Level, Mfar Greenheart 7
Manyata Tech Park, Hebbal Outer Ring Road
560045 Bangalore
T +91 80 6781 9805
F +91 80 6781 9998
indiasales@schaffner.com

Italy

Schaffner EMC S.r.l.

Via Ticino, 30
20900 Monza (MB)
T +39 039 21 41 070
italysales@schaffner.com

Japan

Schaffner EMC K.K.

1-32-12, Kamiyama, Setagaya-ku
7F Mitsui-seimei Sangenjaya Bldg.
154-0011 Tokyo
T +81 3 5712 3650
F +81 3 5712 3651
japansales@schaffner.com
<http://www.schaffner.jp>

Singapore

Schaffner EMC Pte Ltd.

#05-09, Kg Ubi Ind. Estate
408705 Singapore
T +65 6377 3283
F +65 6377 3281
singaporesales@schaffner.com

Spain

Schaffner EMC España

Calle Caléndula 93, Miniparc III, Edificio E
El Soto de Moraleja, Alcobendas
28109 Madrid
T +34 917 912 900
F +34 917 912 901
spainsales@schaffner.com

Sweden

Schaffner EMC AB

Tegeluddsvägen 76, 2tr
115 28 Stockholm
T +46 8 5050 2425
swedensales@schaffner.com
<http://www.schaffner.com>

Switzerland

Schaffner EMV AG

Nordstrasse 11
4542 Luterbach
T +41 32 681 66 26
switzerlandsales@schaffner.com

Taiwan R.O.C.

Schaffner EMV Ltd.

20 Floor-2, No 97, Section 1, XinTai 5th Road
22175 XiZhi District New Taipei City 22175
T +886 2 2697 5500
F +886 2 2697 5533
taiwansales@schaffner.com
<http://www.schaffner.com.tw>

Thailand

Schaffner EMC Co. Ltd.

Northern Region Industrial Estate
67 Moo 4 Tambon Ban Klang
Amphur Muangng P.O. Box 14
51000 Lamphun
T +66 53 58 11 04
F +66 53 58 10 19
thailandsales@schaffner.com

United Kingdom

Schaffner Ltd.

5 Ashville Way, Molly Millars Lane
Wokingham
RG41 2PL Berkshire
T +44 118 9770070
F +44 118 9792969
uksales@schaffner.com

USA

Schaffner EMC Inc.

52 Mayfield Avenue
08837 Edison, New Jersey
T +1 800 367 5566
T +1 732 225 9533
F +1 732 225 4789
usasales@schaffner.com
<http://www.schaffnerusa.com>

Schaffner North America

6722 Thirlane Road
24019 Roanoke, Virginia
T +1 276 228 7943
F +1 276 228 7953

Schaffner North America

823 Fairview Road
24382 Wytheville, Virginia
T +1 276 228 7943
F +1 276 228 7258

To find your local partner within Schaffner's global network: www.schaffner.com

© 2017 Schaffner Group

The content of this document has been carefully checked and understood. However, neither Schaffner nor its subsidiaries assume any liability whatsoever for any errors or inaccuracies of this document and the consequences thereof. Published specifications are subject to change without notice. Product suitability for any area of application must ultimately be determined by the customer. In all cases, products must never be operated outside their published specifications. Schaffner does not guarantee the availability of all published products. This disclaimer shall be governed by substantive Swiss law and resulting disputes shall be settled by the courts at the place of business of Schaffner Holding AG. Latest publications and a complete disclaimer can be downloaded from the Schaffner website. All trademarks recognized.