



Chipsmall Limited consists of a professional team with an average of over 10 year of expertise in the distribution of electronic components. Based in Hongkong, we have already established firm and mutual-benefit business relationships with customers from,Europe,America and south Asia,supplying obsolete and hard-to-find components to meet their specific needs.

With the principle of “Quality Parts,Customers Priority,Honest Operation,and Considerate Service”,our business mainly focus on the distribution of electronic components. Line cards we deal with include Microchip,ALPS,ROHM,Xilinx,Pulse,ON,Everlight and Freescale. Main products comprise IC,Modules,Potentiometer,IC Socket,Relay,Connector.Our parts cover such applications as commercial,industrial, and automotives areas.

We are looking forward to setting up business relationship with you and hope to provide you with the best service and solution. Let us make a better world for our industry!



## Contact us

Tel: +86-755-8981 8866 Fax: +86-755-8427 6832

Email & Skype: info@chipsmall.com Web: www.chipsmall.com

Address: A1208, Overseas Decoration Building, #122 Zhenhua RD., Futian, Shenzhen, China



### R-Series



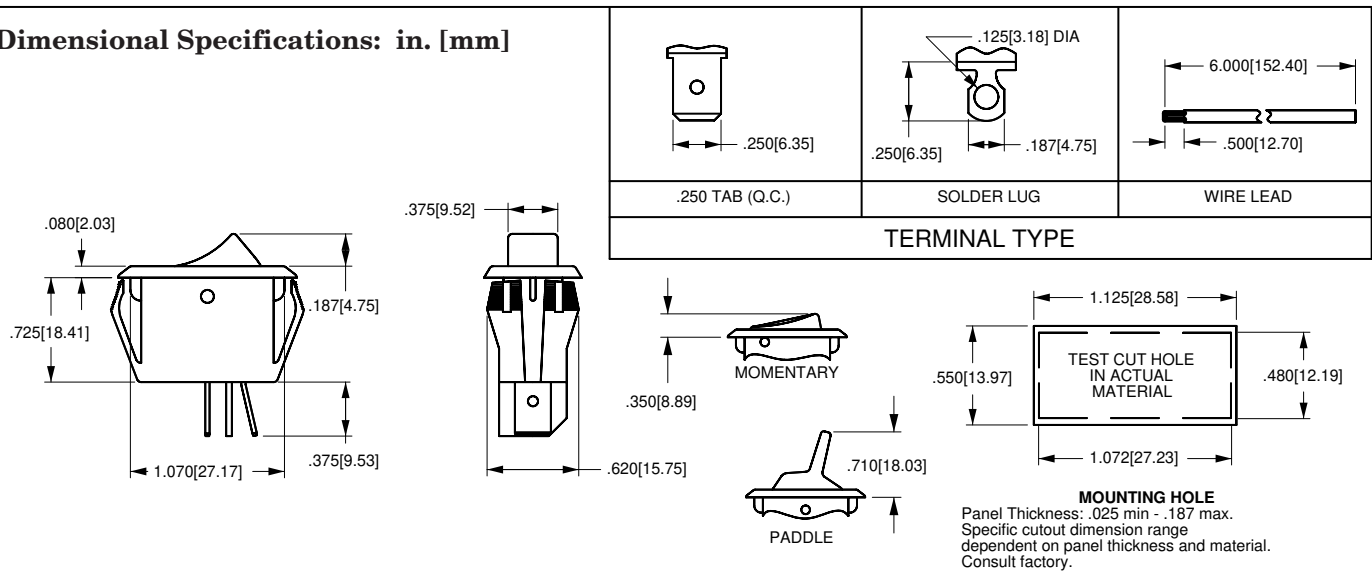
The R-Series Curvette single pole miniature snap-in rocker switches are available with momentary, rocker, paddle & Visi-Rocker type actuators. These aesthetically pleasing switches are compatible with a range of standard panel cutouts. Electrical ratings, with international approvals, are available up to 16 amps.

### Specifications

- Certifications\*: UL, CSA, VDE, TUV, SEMKO, DEMKO, NEMKO, FIMKO, SEV and BEAB
- Dielectric Strength: 1,000 V (minimum)
- Insulation Resistance: 100 Megohms (minimum)
- Base Material: Nylon
- Actuator Material: Polyester or Nylon

\* Due to ongoing technological advances, consult factory for certification specifics.

### Dimensional Specifications: in. [mm]



**R A 91 1 - V B - B - 0 - V**

<b>SERIES</b>	<b>RATING<sup>1</sup></b>	<b>TERMINATION</b>	<b>BASE COLOR<sup>2</sup></b>	<b>COLOR OF MOLDED-IN LEGEND AND/OR VISI-ROCKER END<sup>2</sup></b>
<b>R</b> SINGLE POLE	<b>20</b> 10A 250VAC 16A 125VAC 3/4HP 125-250VAC	<b>0</b> SOLDER LUG <b>1</b> .250TAB (QC) <b>5</b> WIRE LEAD	<b>B</b> BLACK <b>W</b> WHITE	<b>N</b> NOT APPLICABLE <b>B</b> BLACK <b>V</b> VISI-RED <b>W</b> WHITE
<b>CIRCUIT</b>	<b>21</b> 10A 250 VAC 16A 125VAC	<b>ACTUATOR STYLE</b>	<b>ROCKER FACE LEGEND</b>	
<b>A</b> OFF-NONE-ON	<b>22</b> 8A 250VAC 12A 125VAC	<b>M</b> MOMENTARY ROCKER	<b>0</b> NO LEGEND	<b>0</b>
<b>B</b> ON-NONE-ON	<b>23</b> 10A 250VAC 16A 125VAC	<b>P</b> PADDLE	<b>1</b> OFF-ON (VERTICAL)	<b>A</b>
<b>C</b> ON-OFF-ON Available w/ratings 21, 23, 58, & 91 only	<b>58</b> 5A 277VAC 10A 125VAC	<b>R</b> ROCKER <b>V</b> TWO COLOR VISI-ROCKER	<b>2</b> OFF-ON (HORIZONTAL)	<b>B</b>
<b>D</b> OFF-NONE-(ON) Available w/rating 22 only	<b>90</b> 10A 250VAC 16A 125VAC	<b>ACTUATOR COLOR<sup>2</sup></b>	<b>8</b> O-I (HORIZONTAL)	<b>D</b>
<b>AD</b> OFF-NONE-ON Double Insulation	<b>91</b> 10A 250VAC 16A 125VAC	<b>B</b> BLACK <b>W</b> WHITE	<b>9</b> O-I (VERTICAL)	<b>E</b>
<b>BD</b> ON-NONE-ON Double Insulation	10(4)A 250VAC $\mu$ T85		ON-OFF (VERTICAL)	<b>F</b>
<b>CD</b> ON-OFF-ON Double Insulation Available w/ratings 21 and 58 only	10(4)A 250VAC $\mu$ T85		ON-OFF (HORIZONTAL)	<b>G</b>
			DUAL LEGEND: OFF O-I ON (VERTICAL)	<b>H</b>

**INK TRANSFER STAMP<sup>4</sup>**

NOTES:  
Shading indicates standard configurations.  
Panel Cut-Out Recommendations: For sheet metal panels, switch must enter panel in same direction as the punch. (Burr on bottom.) Test cut hole in actual material.  
1 Additional ratings are available. Consult factory.  
Rating 22 must use circuit D only and momentary rocker.  
2 Matte finish is standard. Custom colors are available. Consult factory.  
3 Molded-in Legend available only with Visi-Rocker option.  
4 White is standard with dark actuators; black is standard with light actuators.