



Chipsmall Limited consists of a professional team with an average of over 10 year of expertise in the distribution of electronic components. Based in Hongkong, we have already established firm and mutual-benefit business relationships with customers from,Europe,America and south Asia,supplying obsolete and hard-to-find components to meet their specific needs.

With the principle of “Quality Parts,Customers Priority,Honest Operation,and Considerate Service”,our business mainly focus on the distribution of electronic components. Line cards we deal with include Microchip,ALPS,ROHM,Xilinx,Pulse,ON,Everlight and Freescale. Main products comprise IC,Modules,Potentiometer,IC Socket,Relay,Connector.Our parts cover such applications as commercial,industrial, and automotives areas.

We are looking forward to setting up business relationship with you and hope to provide you with the best service and solution. Let us make a better world for our industry!



Contact us

Tel: +86-755-8981 8866 Fax: +86-755-8427 6832

Email & Skype: info@chipsmall.com Web: www.chipsmall.com

Address: A1208, Overseas Decoration Building, #122 Zhenhua RD., Futian, Shenzhen, China





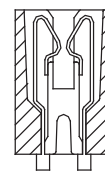
.050" [1.27 mm] Contact Centers, .610" [15.49 mm] Insulator Height, [PCI] Dip Solder/Card Extender/SMT

Industry Standard Part

SPECIFICATIONS

- Accommodates .062" ± .008" [1.57 mm ± 0.20 mm] PC board
- PPS or PA9T insulator
- Molded-in key available
- High reliability/high cycle hairpin bellow contacts
- 1 Amp current rating per contact for contacts fully energized
- UL Flammability Rating: 94V-0

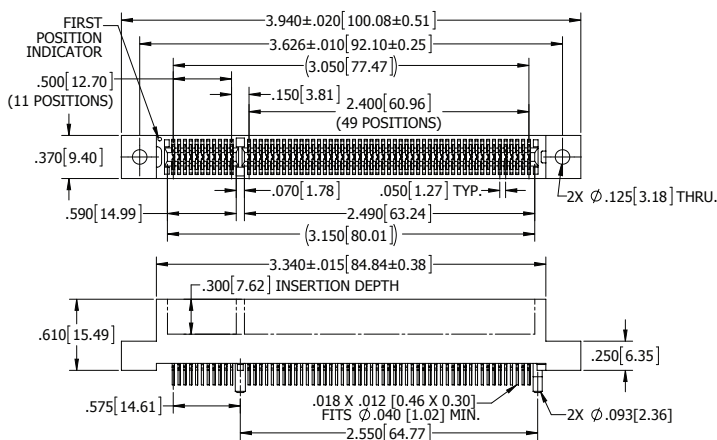
READOUT



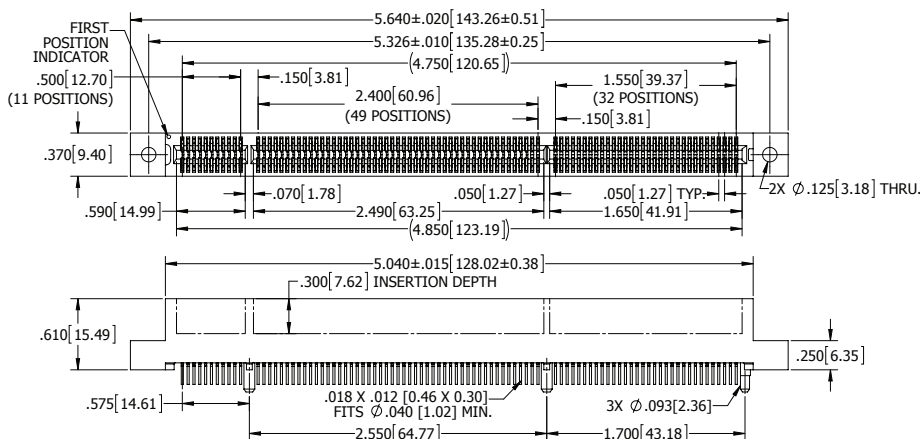
DUAL (D)

DIMENSIONS

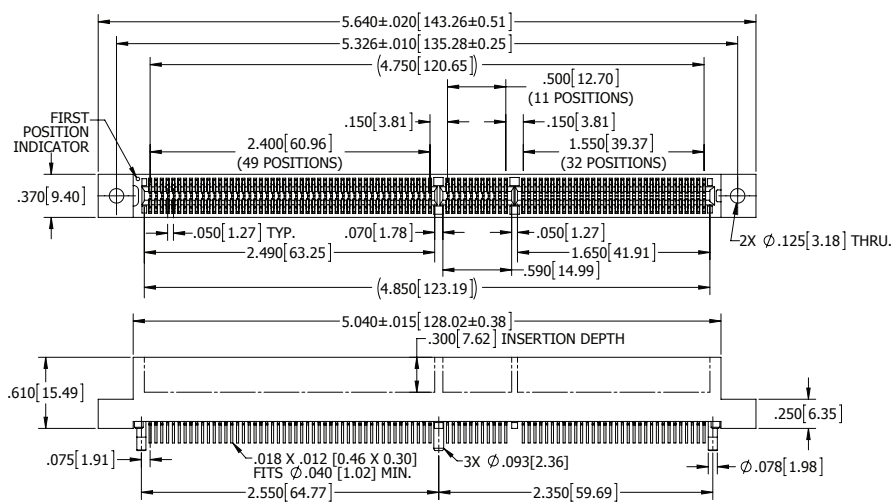
Dimensions in [] are in millimeters, all others are in inches.



GBB60DHHD-S578, 60 (11/49) POSITIONS, 32 BIT, 3.3 OR 5 VOLT



GBB92DHHD-S330, 92 (11/49/32) POSITIONS, 64 BIT, 3.3 VOLT



GBB92DHHD-S378, 92 (49/11/32) POSITIONS, 64 BIT, 5 VOLT



.050" [1.27 mm] Contact Centers, .610" [15.49 mm] Insulator Height, [PCI] Dip Solder/Card Extender/SMT

Industry Standard Part

High Density Card Edge

PART NUMBER OPTIONS

G B B 60 D HH D - S578

MATERIALS (INSULATOR/CONTACT)

- G = PA9T/Phosphor Bronze
- R = PPS/Phosphor Bronze
- J = PA9T/Beryllium Copper
- A = PPS/Beryllium Copper

Refer to Page 7 for Operating/Processing Temperatures

CONTACT FINISH - RoHS Compliant

All platings are Lead Free and have .000050" Nickel underplate

Contact Surface	Termination
B = .000010" Gold	.000100" Pure Tin, Matte
C = .000030" Gold	.000100" Pure Tin, Matte

CONTACT CENTERS

B = .050" [1.27 mm]

NUMBER OF CONTACT POSITIONS

- *60 = 11/49 (32 Bit, 3.3 or 5 Volt)
- 92 = 11/49/32 (64 Bit, 3.3 Volt)
- 92 = 49/11/32 (64 Bit, 5 Volt)

READOUT

D = Dual

MODIFICATION (Consult Factory)

PCI WITH GUIDE POSTS

- *-S578 = 60 (11/49) Positions (32 Bit, 3.3 or 5 Volt)
- S330 = 92 (11/49/32) Positions (64 Bit, 3.3 Volt)
- S378 = 92 (49/11/32) Positions (64 Bit, 5 Volt)

PCI WITHOUT GUIDE POSTS

- *-S621 = 60 (11/49) Positions (32 Bit, 3.3 or 5 Volt)
- S329 = 92 (11/49/32) Positions (64 Bit, 3.3 Volt)
- S250 = 92 (49/11/32) Positions (64 Bit, 5 Volt)

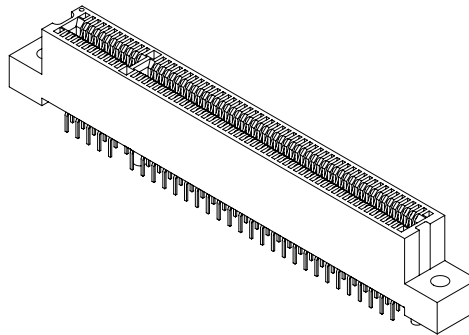
MOUNTING STYLE

- D = Flush Mounting
- N = No Mounting
- T = Flush Mounting With Threaded Insert
- Q = Straddle Mount
- (Card Extender Only - Consult Factory)
- R = Metal Board lock

TERMINATION TYPE

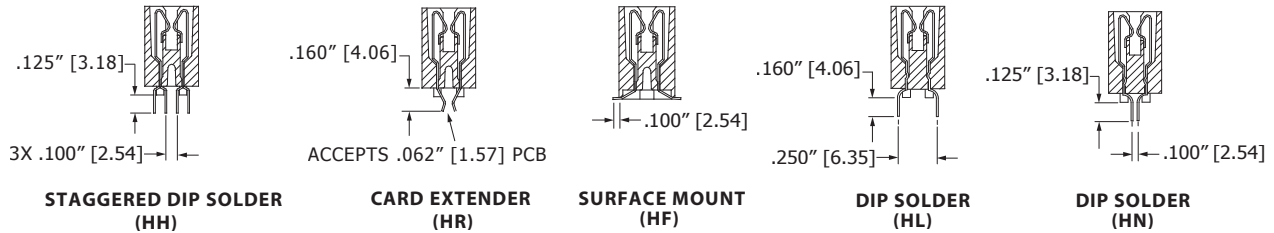
- HH = Staggered Dip Solder
- HR = Card Extender
- HF = Surface Mount
- HL = .250" [6.35 mm] X .160" [4.06 mm] Dip Solder
- HN = .125" [3.18 mm] X .100" [2.54 mm] Dip Solder

*Turn connector or board 180° for 3.3 or 5 Volt



FOR PC BOARD LAYOUTS REFER TO www.sullinscorp.com

TERMINATION TYPE



MOUNTING STYLE

