



Chipsmall Limited consists of a professional team with an average of over 10 year of expertise in the distribution of electronic components. Based in Hongkong, we have already established firm and mutual-benefit business relationships with customers from,Europe,America and south Asia,supplying obsolete and hard-to-find components to meet their specific needs.

With the principle of “Quality Parts,Customers Priority,Honest Operation,and Considerate Service”,our business mainly focus on the distribution of electronic components. Line cards we deal with include Microchip,ALPS,ROHM,Xilinx,Pulse,ON,Everlight and Freescale. Main products comprise IC,Modules,Potentiometer,IC Socket,Relay,Connector.Our parts cover such applications as commercial,industrial, and automotives areas.

We are looking forward to setting up business relationship with you and hope to provide you with the best service and solution. Let us make a better world for our industry!



Contact us

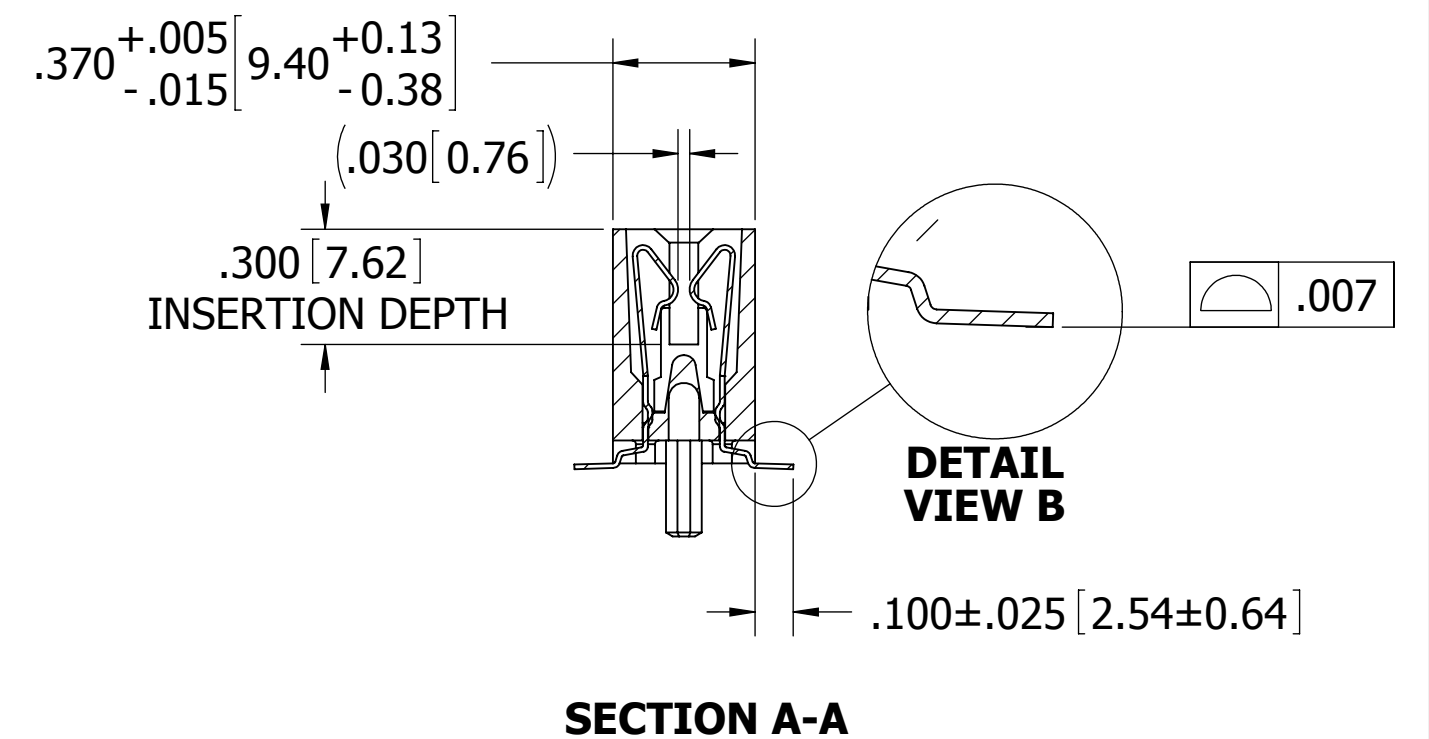
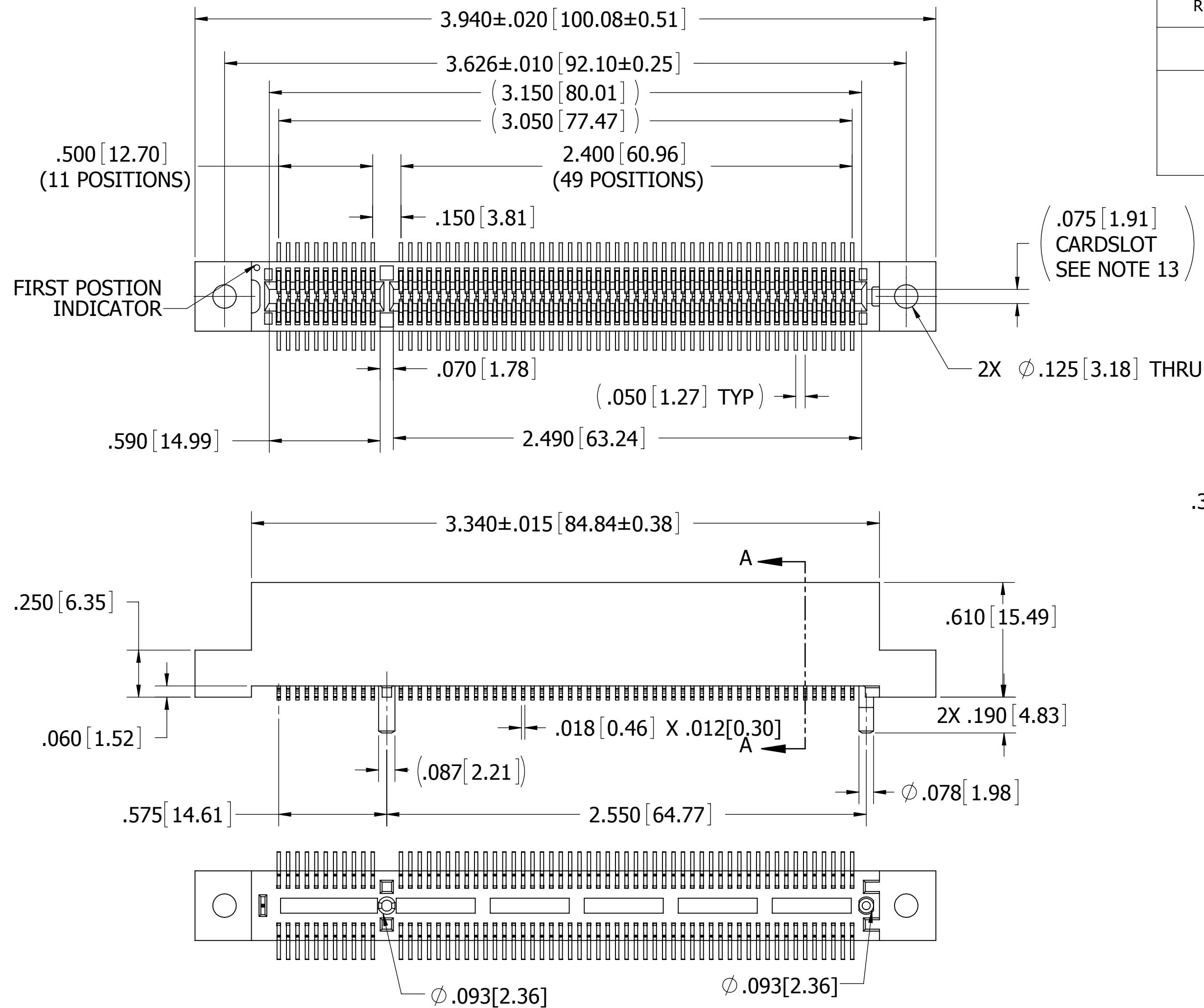
Tel: +86-755-8981 8866 Fax: +86-755-8427 6832

Email & Skype: info@chipsmall.com Web: www.chipsmall.com

Address: A1208, Overseas Decoration Building, #122 Zhenhua RD., Futian, Shenzhen, China



REVISIONS				
REV.	ECO. NO	DESCRIPTION	DATE	BY
A	1226	INITIAL RELEASE	09/24/07	ASK
B	3394	UPDATE DWG FORMAT, UPDATE RECOMMENDED PCB LAYOUT ON CUSTOMER COPY, UPDATE RECOMMENDED DAUGHTER CARD LAYOUT ON CUSTOMER COPY, UPDATE BODY WIDTH TOL TO +.005/-0.015, UPDATE MODIFICATION NOTE	03/03/2016	MG



NOTES:

1. INSULATOR MATERIAL: SEE PART NUMBER CODING __ **B60DHF** - **S578**
2. CONTACT MATERIAL: SEE PART NUMBER CODING
3. PLATING: SEE PART NUMBER CODING
4. OPERATING TEMPERATURE: SEE PART NUMBER CODING
5. PROCESSING TEMP: SEE PART NUMBER CODING
6. UL FLAMMABILITY RATING: 94V-0
7. OPERATING VOLTAGE: 300 VAC
8. CURRENT RATING: 1 AMP
9. CONTACT RESISTANCE: 30 MILLI OHMS MAX
10. INSULATION RESISTANCE: 5000 MEGA OHMS
11. DURABILITY: 500 CYCLES MINIMUM
12. CONNECTOR IDENTIFICATION: THE PART SHALL BE MARKED WITH A PART NUMBER AND LOT CODE
13. BOARD THICKNESS ACCOMMODATED: .062±.008 [1.57±0.20]
14. INSERTION FORCE: 6 OZ MAX PER CONTACT PAIR WHEN USING A .062 [1.57] TEST BLADE
15. WITHDRAWAL FORCE: 1/2 OZ MIN PER CONTACT PAIR USING .062 [1.57] TEST BLADE
16. MODIFICATION: CARDSLOT BARRIERS WITH GUIDE POSTS FOR PCI 32 BIT, 3.3 OR 5 VOLT 60 (11/49) POSITION CONNECTOR (ROTATE BOARD 180° FOR CONVERISON 3.3 TO 5 VOLTS)



CUSTOMER COPY

UNLESS OTHERWISE SPECIFIED: DIMENSIONS ARE IN INCHES [MM]		DRAWN	DATE	NAME		
			12/22/06	SIR		
TOLERANCES:					<small>THE INFORMATION HEREIN CONTAINS PROPRIETARY INFORMATION OF SULLINS ELECTRONICS AND IS NOT TO BE REPRODUCED, USED OR DISCLOSED TO OTHERS FOR ANY PURPOSE EXCEPT AS SPECIFICALLY AUTHORIZED IN WRITING BY AN OFFICER OF SULLINS ELECTRONICS.</small>	
ANGULAR: ± 1°					TITLE EDGE CARD, .050 CC, HP	
DECIMALS .XX=±.02 [.5] .XXX=±.005 [1.3] .XXXX=±.0005 [.013]					PART NUMBER __ B60DHF __ - S578	
SCALE: 2:1		SIZE C	CAGE CODE 54453	DWG. NO. C10858	REV B	
				SHEET 1 OF 2		

PART NUMBER CODING

B60DHF -S578

MATERIALS (INSULATOR / CONTACT)

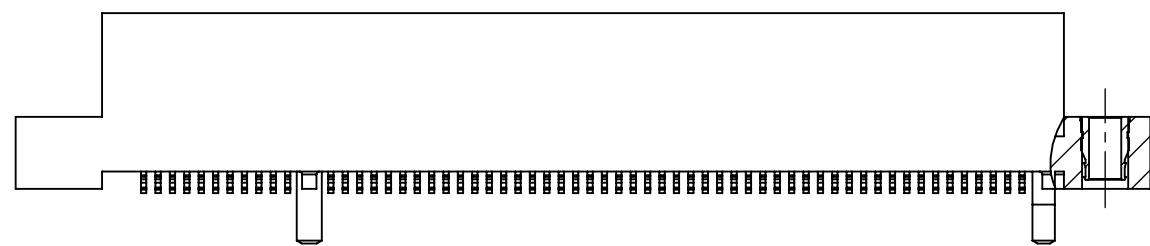
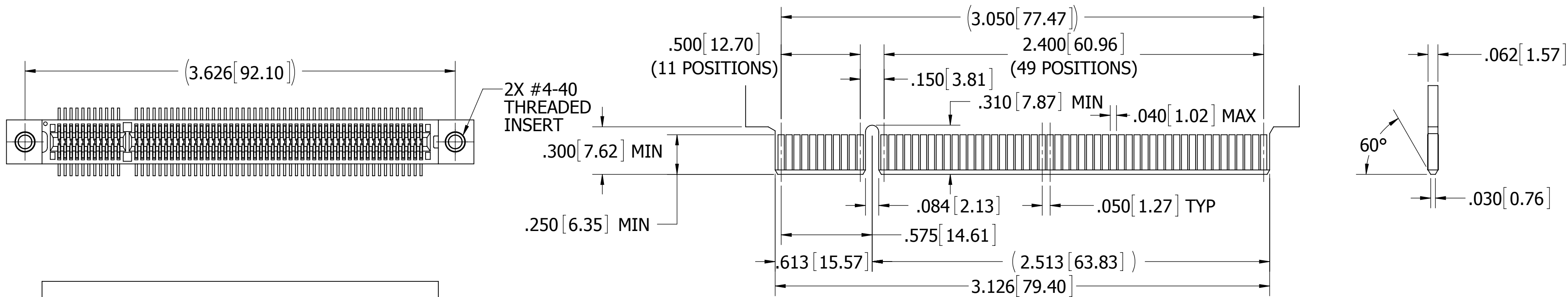
- R = PPS/PHOSPHOR BRONZE
OPERATING TEMP: -65°C TO +125°C
PROCESSING TEMP: 260°C MAX FOR 20 SECS
 - G = PA9T/PHOSPHOR BRONZE
OPERATING TEMP: -65°C TO +125°C
PROCESSING TEMP: 260°C MAX FOR 20 SECS
 - A = PPS/BERYLLIUM COPPER
OPERATING TEMP: -65°C TO +150°C
PROCESSING TEMP: 260°C MAX FOR 20 SECS
 - J = PA9T/BERYLLIUM COPPER
OPERATING TEMP: -65°C TO +150°C
PROCESSING TEMP: 260°C MAX FOR 20 SECS
- (CONSULT FACTORY FOR OTHER MATERIALS)

MOUNTING STYLE

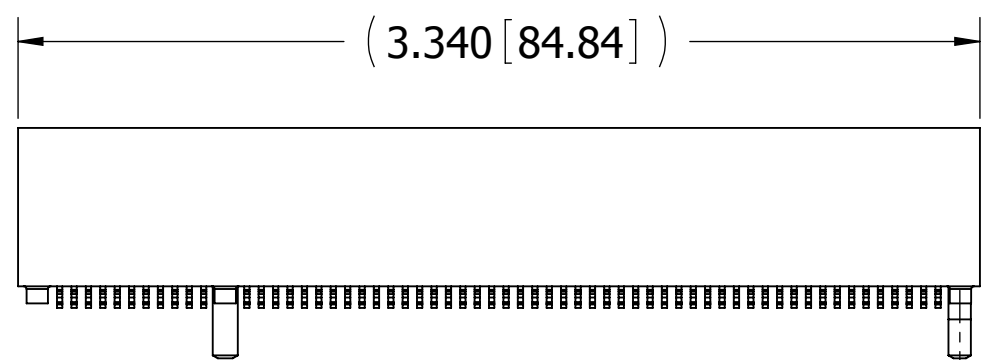
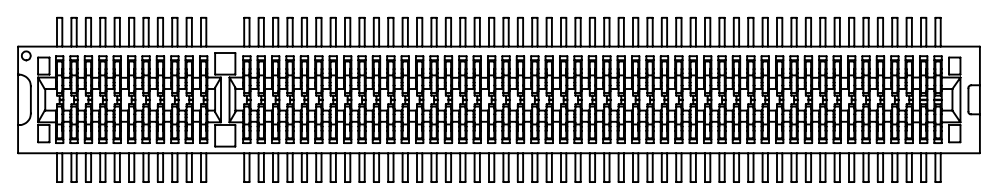
- N = NO MOUNTING
- D = .250[6.35] EARS, FLUSH MOUNTING, .125[3.18] DIAMETER
- T = .250[6.35] EARS, FLUSH MOUNTING, #4-40 THREADED INSERTS

PLATING

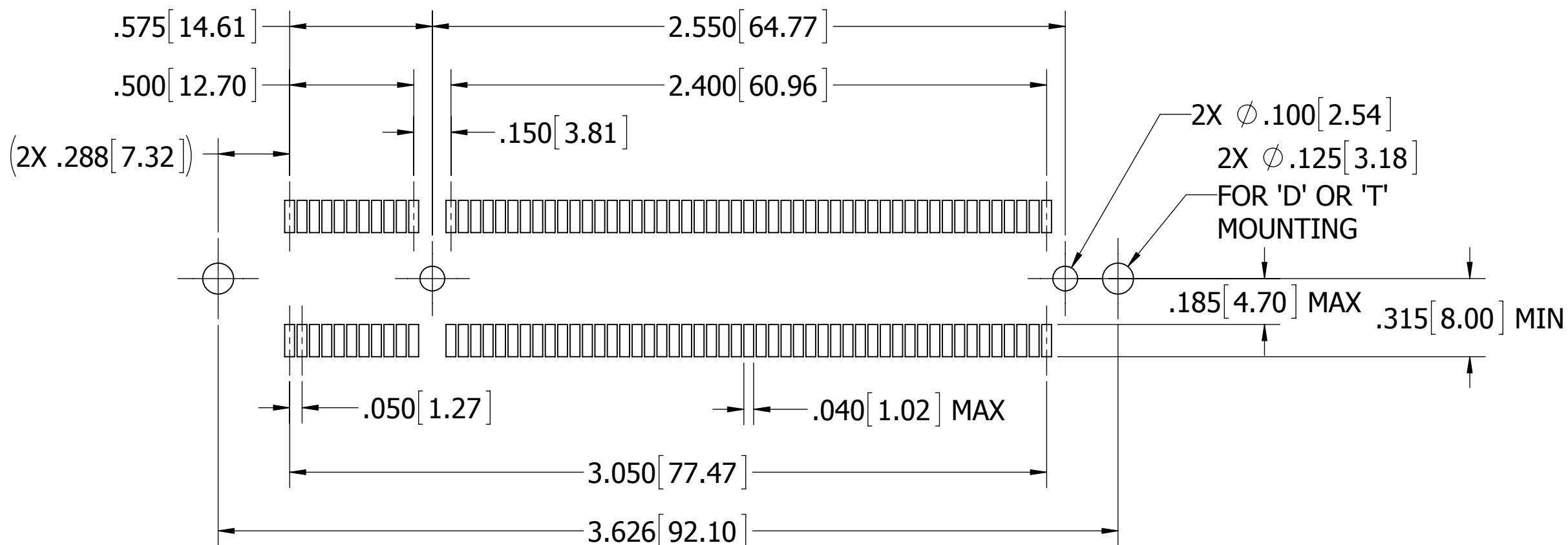
- ALL PLATINGS ARE LEAD FREE AND HAVE .000050" NICKEL UNDERPLATE
- | | |
|-------------------|--------------------------|
| CONTACT SURFACE | TERMINATION |
| B = .000010" GOLD | .000100" PURE TIN, MATTE |
| C = .000030" GOLD | .000100" PURE TIN, MATTE |



__ B60DHFT - S578



__ B60DHFN - S578



RECOMMENDED PCB LAYOUT

CUSTOMER COPY



UNLESS OTHERWISE SPECIFIED:
DIMENSIONS ARE IN INCHES [MM]

TOLERANCES:

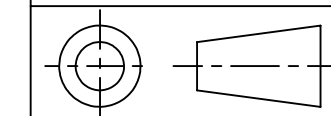
ANGULAR: ± 1°

DECIMALS

- .XX = ± .02 [.5]
- .XXX = ± .005 [.13]
- .XXXX = ± .0005 [.013]

DRAWN	DATE	NAME
	12/22/06	SIR

THE INFORMATION HEREIN CONTAINS PROPRIETARY INFORMATION OF SULLINS ELECTRONICS AND IS NOT TO BE REPRODUCED, USED OR DISCLOSED TO OTHERS FOR ANY PURPOSE EXCEPT AS SPECIFICALLY AUTHORIZED IN WRITING BY AN OFFICER OF SULLINS ELECTRONICS.



				TITLE	
				EDGE CARD, .050 CC, HP	
PART NUMBER				REV	
__ B60DHF -S578				B	
SIZE	CAGE CODE	DWG. NO.			
C	54453	C10858			
SCALE: 1.5:1		SHEET 2 OF 2			