



Chipsmall Limited consists of a professional team with an average of over 10 year of expertise in the distribution of electronic components. Based in Hongkong, we have already established firm and mutual-benefit business relationships with customers from,Europe,America and south Asia,supplying obsolete and hard-to-find components to meet their specific needs.

With the principle of “Quality Parts,Customers Priority,Honest Operation,and Considerate Service”,our business mainly focus on the distribution of electronic components. Line cards we deal with include Microchip,ALPS,ROHM,Xilinx,Pulse,ON,Everlight and Freescale. Main products comprise IC,Modules,Potentiometer,IC Socket,Relay,Connector.Our parts cover such applications as commercial,industrial, and automotives areas.

We are looking forward to setting up business relationship with you and hope to provide you with the best service and solution. Let us make a better world for our industry!



## Contact us

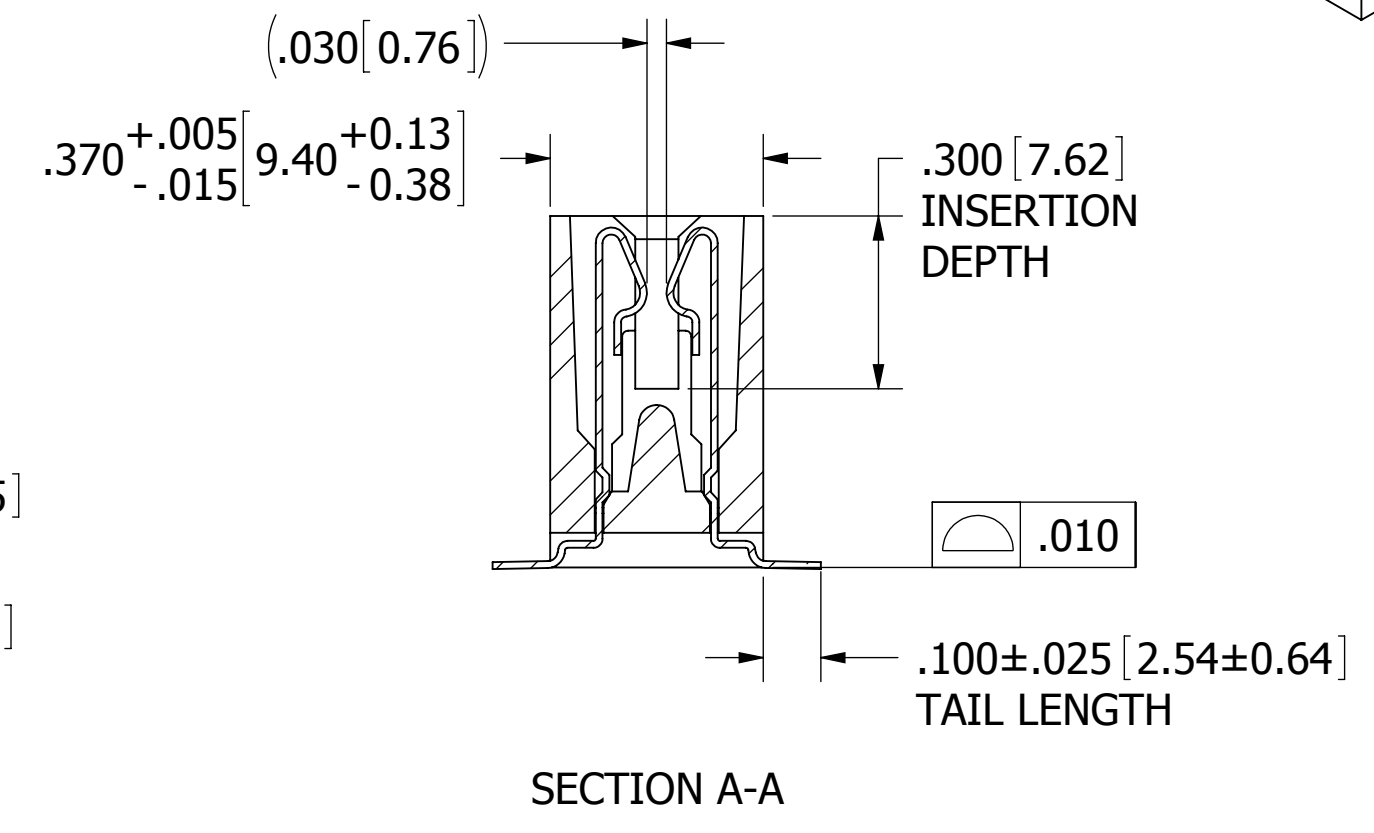
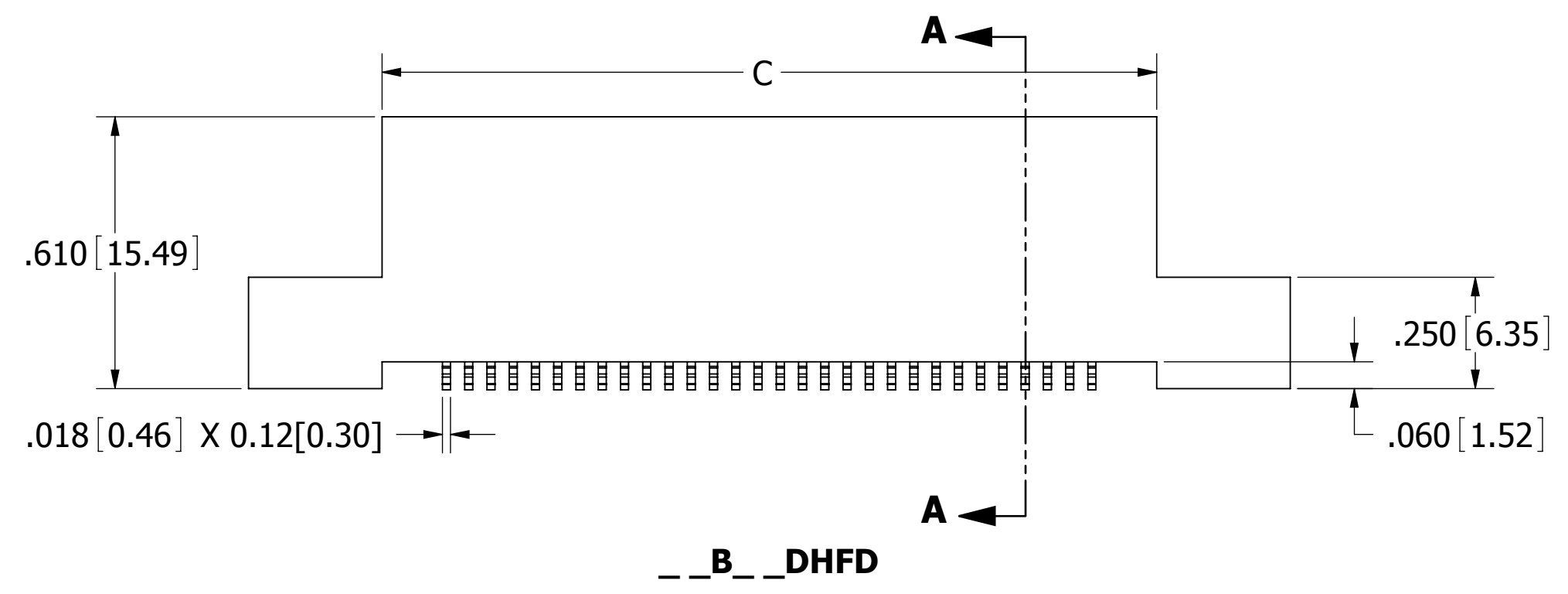
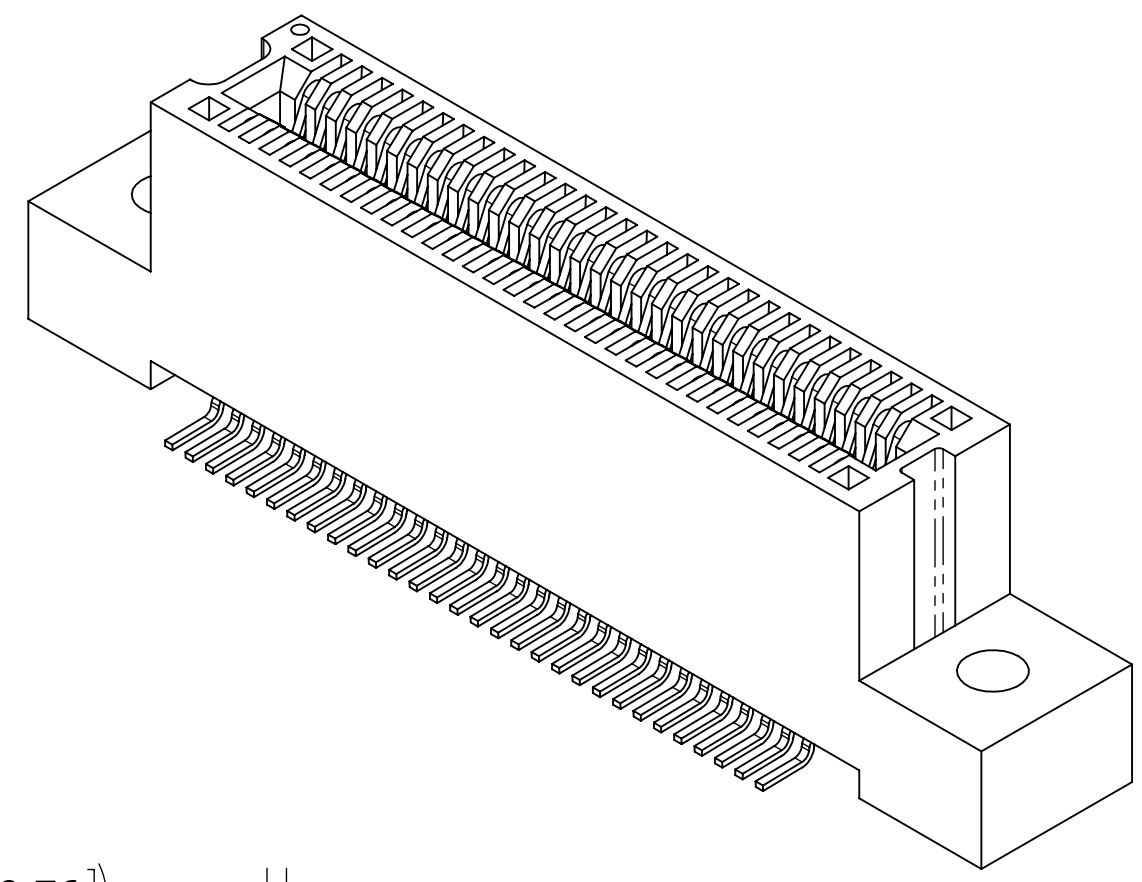
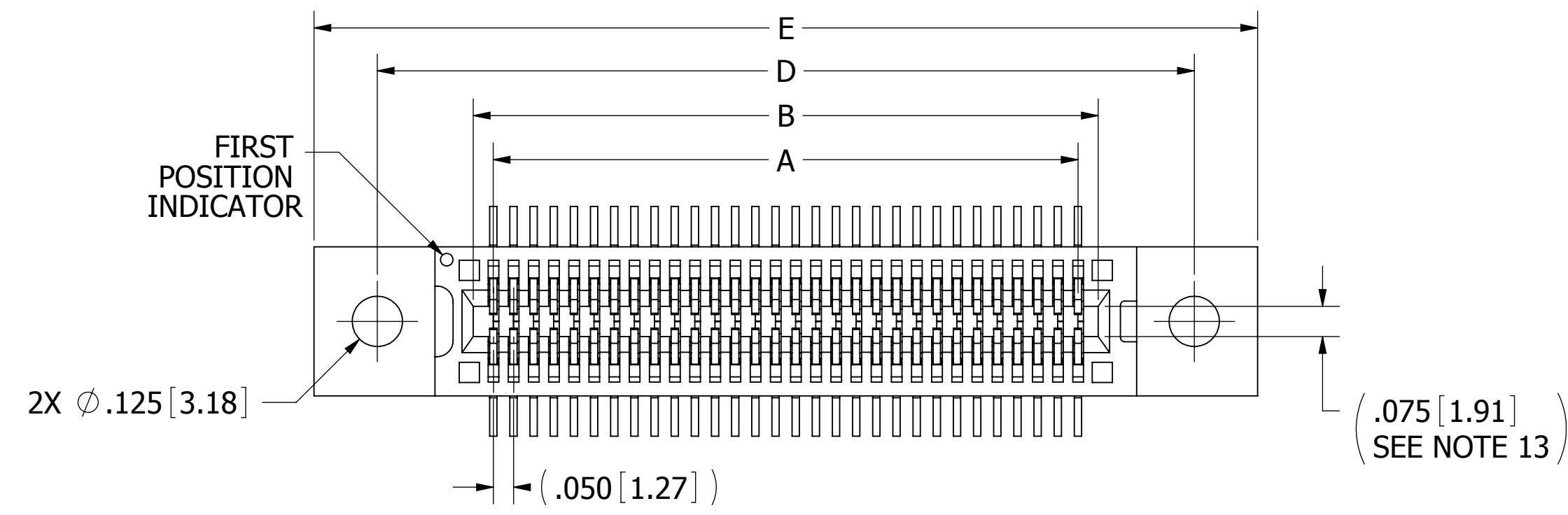
Tel: +86-755-8981 8866 Fax: +86-755-8427 6832

Email & Skype: info@chipsmall.com Web: www.chipsmall.com

Address: A1208, Overseas Decoration Building, #122 Zhenhua RD., Futian, Shenzhen, China



| REVISIONS |         |  |            |    |
|-----------|---------|--|------------|----|
| REV.      | ECO. NO | DESCRIPTION  | DATE       | BY |
| A         | 1012    | ORIGINAL RELEASE   | 04/28/2006 | HT |
| B         | 1470    | REVISED DRAWING, TABULATED MATERIALS, & ADDED ALL POSITIONS  | 8/15/2007  | VJ |
| C         | 2098    | REMOVED "-S621" FROM P/N CODING, PCB LAYOUT DIM .185" MAX (WAS .185" MIN), .315" MIN (WAS .315" MAX), CORRECT NOTES 8 & 9. | 1/5/2010   | JH |
| D         | 2919    | ADD CONTACT GAP DIM, TOL TO INSULATOR WIDTH, UPDATE DWG FORMAT   | 2/13/2014  | NC |

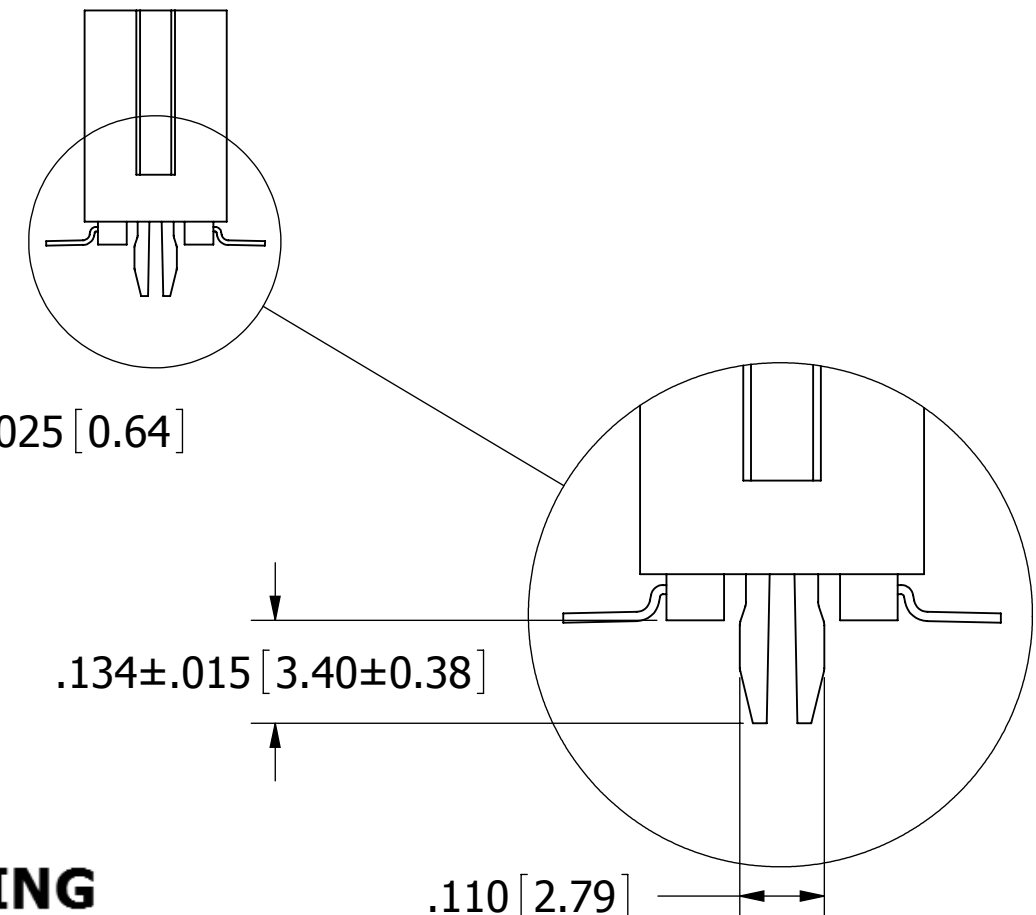
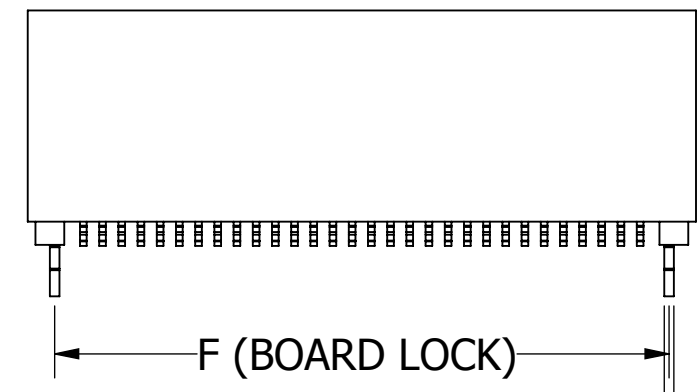
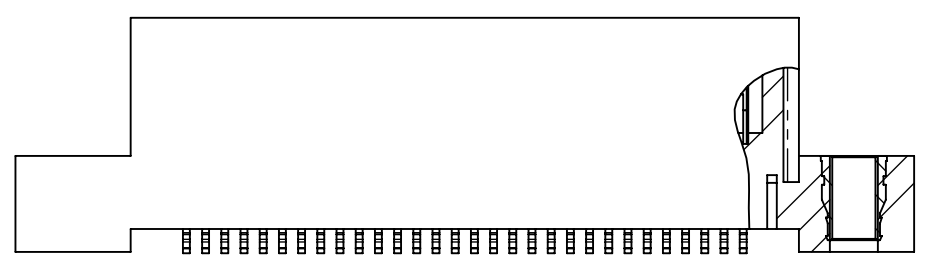
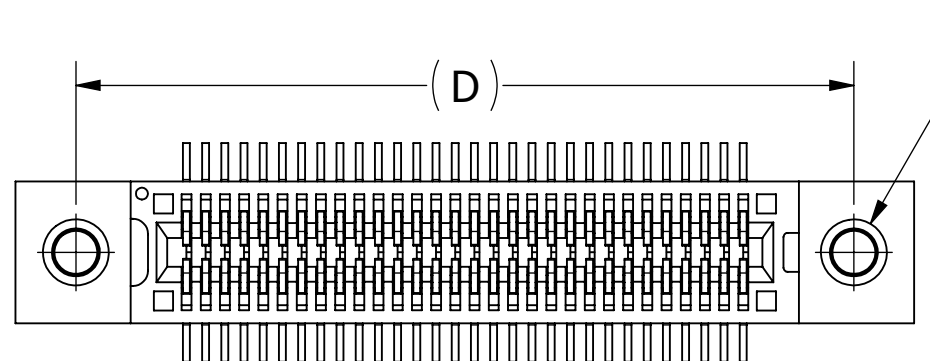


- NOTES:
1. INSULATOR MATERIAL: SEE PART NUMBER CODING
  2. CONTACT MATERIAL: SEE PART NUMBER CODING
  3. PLATING: SEE PART NUMBER CODING
  4. OPERATING TEMPERATURE: SEE PART NUMBER CODING
  5. PROCESSING TEMP: SEE PART NUMBER CODING
  6. UL FLAMMABILITY RATING: 94V-0
  7. OPERATING VOLTAGE: 300 VAC MINIMUM AT SEA LEVEL
  8. CURRENT RATING: 1 AMP
  9. CONTACT RESISTANCE: 30 MILLI OHMS MAX
  10. INSULATION RESISTANCE: 5000 MEGA OHMS
  11. DURABILITY: 500 CYCLES MIN
  12. CONNECTOR IDENTIFICATION: THE PART SHALL BE MARKED WITH A PART NUMBER AND LOT CODE
  13. BOARD THICKNESS ACCOMMODATED: .062 ± .008 [1.57 ± 0.20]
  14. INSERTION FORCE: 6 OZ MAX PER CONTACT PAIR WHEN USING A .062 [1.57] TEST BLADE
  15. WITHDRAWAL FORCE: 1 OZ MIN PER CONTACT PAIR USING .062 [1.57] PCB
  16. MODIFICATION:



# CUSTOMER COPY

|   |           |              |           |      |   |  |
|---|-----------|--------------|-----------|------|---|--|
| UNLESS OTHERWISE SPECIFIED: DIMENSIONS ARE IN INCHES [MM]                     |           | DRAWN        | DATE      | NAME |   |  |
|   |           |              | 4/28/2006 | HT   |   |  |
| TOLERANCES:   |           |              |           |      | <small>THE INFORMATION HEREIN CONTAINS PROPRIETARY INFORMATION OF SULLINS ELECTRONICS AND IS NOT TO BE REPRODUCED, USED OR DISCLOSED TO OTHERS FOR ANY PURPOSE EXCEPT AS SPECIFICALLY AUTHORIZED IN WRITING BY AN OFFICER OF SULLINS ELECTRONICS.</small> |  |
| ANGULAR: ± 1°   |           |              |           |      |   |  |
| DECIMALS<br>.XX = ± .02 [.5]<br>.XXX = ± .005 [.13]<br>.XXXX = ± .0005 [.013] |           |              |           |      |   |  |
|   |           | TITLE        |           |      | EDGE CARD, .050 CC, HP  |  |
|   |           | PART NUMBER  |           |      | --B-- DHF--   |  |
| SIZE  | CAGE CODE | DWG. NO.     | REV       |      |   |  |
| C   | 54453     | C10708       | D         |      |   |  |
| SCALE: 3:1  |           | SHEET 1 OF 3 |           |      |   |  |



**PART NUMBER CODING**

\_\_\_B\_\_\_DHF\_\_\_

**MATERIALS (INSULATOR / CONTACT)**

- R = PPS/PHOSPHOR BRONZE**  
OPERATING TEMP: -65°C TO +125°C  
PROCESSING TEMP: 260°C MAX FOR 20 SEC
- G = PA9T/PHOSPHOR BRONZE**  
OPERATING TEMP: -65°C TO +125°C  
PROCESSING TEMP: 260°C MAX FOR 20 SEC
- A = PPS/BERYLLIUM COPPER**  
OPERATING TEMP: -65°C TO +150°C  
PROCESSING TEMP: 260°C MAX FOR 20 SEC
- J = PA9T/BERYLLIUM COPPER**  
OPERATING TEMP: -65°C TO +150°C  
PROCESSING TEMP: 260°C MAX FOR 20 SEC  
(CONSULT FACTORY FOR OTHER MATERIALS)

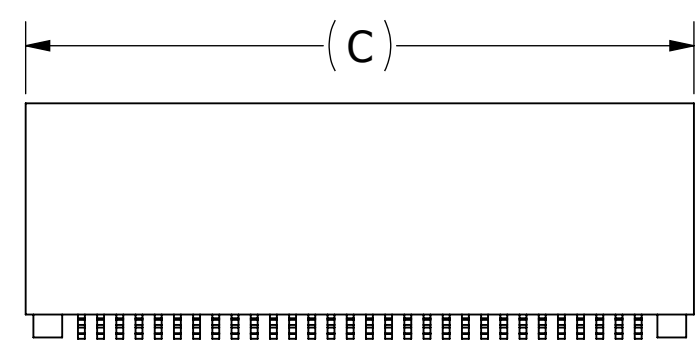
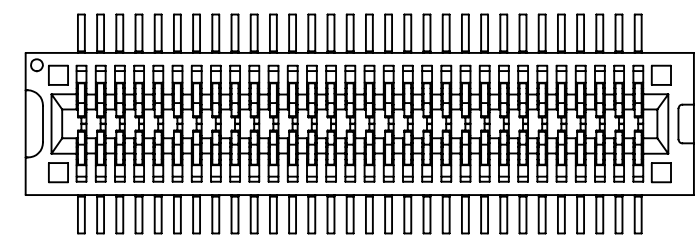
**MOUNTING STYLE**

- D = FLUSH MOUNTING (PAGE 1)
- N = NO MOUNTING EARS
- T = FLUSH MOUNTING WITH #4-40 THREADED INSERT
- R = BOARD LOCK

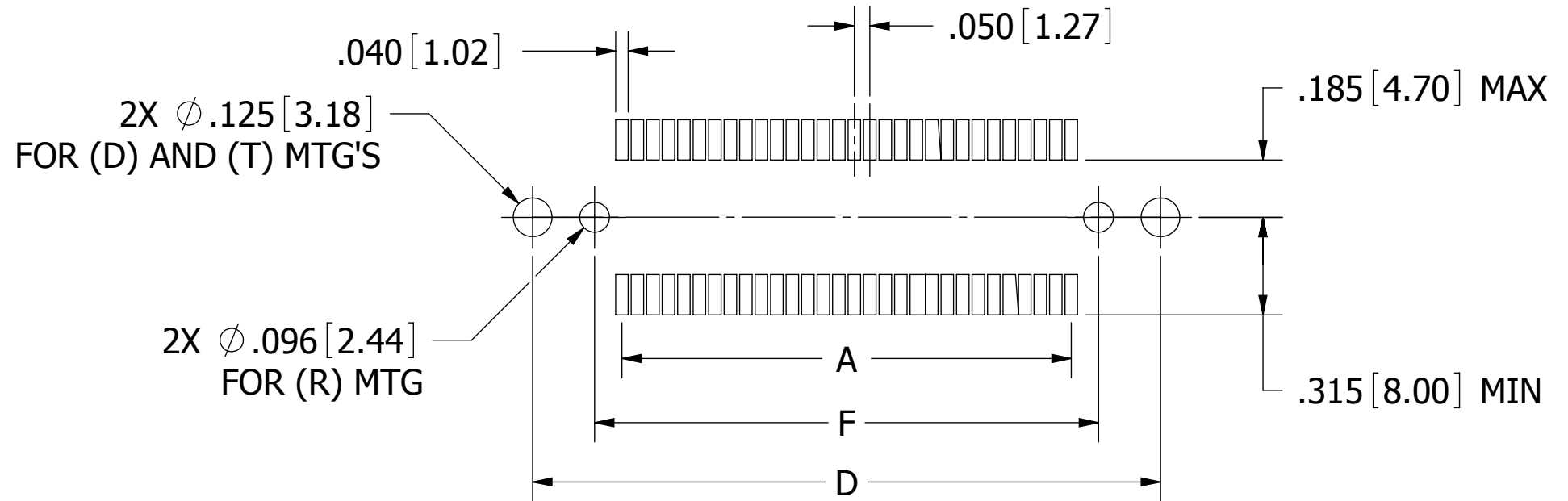
**NUMBER OF POSITIONS (CONTACTS PER ROW)**

**PLATING**

- ALL PLATINGS ARE LEAD FREE AND HAVE .000050" NICKEL UNDERPLATE
- CONTACT SURFACE TERMINATION
- B = .000010" GOLD      .000100" PURE TIN, MATTE
  - C = .000030" GOLD      .000100" PURE TIN, MATTE



\_\_\_B\_\_\_DHFN



**RECOMMENDED PCB LAYOUT**

**CUSTOMER COPY**



|   |           |              |           |      |   |  |
|---|-----------|--------------|-----------|------|---|--|
| UNLESS OTHERWISE SPECIFIED: DIMENSIONS ARE IN INCHES [MM]   |           | DRAWN        | DATE      | NAME |   |  |
|   |           |              | 4/28/2006 | HT   |   |  |
| TOLERANCES:<br>ANGULAR: ± 1°<br>DECIMALS<br>.XX = ± .02 [.5]<br>.XXX = ± .005 [.13]<br>.XXXX = ± .0005 [.013] |           |              |           |      | <small>THE INFORMATION HEREIN CONTAINS PROPRIETARY INFORMATION OF SULLINS ELECTRONICS AND IS NOT TO BE REPRODUCED, USED OR DISCLOSED TO OTHERS FOR ANY PURPOSE EXCEPT AS SPECIFICALLY AUTHORIZED IN WRITING BY AN OFFICER OF SULLINS ELECTRONICS.</small> |  |
|   |           |              |           |      | <b>TITLE</b><br>EDGECARD, .050 CC, HP   |  |
|   |           |              |           |      | <b>PART NUMBER</b><br>___B___DHF___   |  |
| SIZE  | CAGE CODE | DWG. NO.     |           | REV  |   |  |
| C   | 54453     | C10708       |           | D    |   |  |
| SCALE: 2:1  |           | SHEET 2 OF 3 |           |      |   |  |

