



Chipsmall Limited consists of a professional team with an average of over 10 year of expertise in the distribution of electronic components. Based in Hongkong, we have already established firm and mutual-benefit business relationships with customers from,Europe,America and south Asia,supplying obsolete and hard-to-find components to meet their specific needs.

With the principle of “Quality Parts,Customers Priority,Honest Operation,and Considerate Service”,our business mainly focus on the distribution of electronic components. Line cards we deal with include Microchip,ALPS,ROHM,Xilinx,Pulse,ON,Everlight and Freescale. Main products comprise IC,Modules,Potentiometer,IC Socket,Relay,Connector.Our parts cover such applications as commercial,industrial, and automotives areas.

We are looking forward to setting up business relationship with you and hope to provide you with the best service and solution. Let us make a better world for our industry!



Contact us

Tel: +86-755-8981 8866 Fax: +86-755-8427 6832

Email & Skype: info@chipsmall.com Web: www.chipsmall.com

Address: A1208, Overseas Decoration Building, #122 Zhenhua RD., Futian, Shenzhen, China





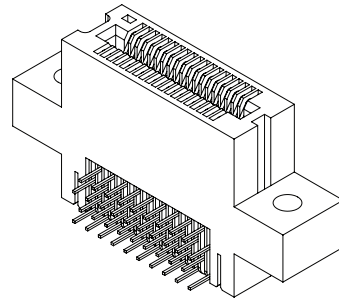
High Density Card Edge

SULLINS

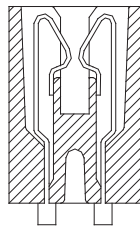
1.00 mm [.039"] Contact Centers, 21.84 mm [.860"] Insulator Height, Right Angle

SPECIFICATIONS

- Accommodates 1.57 mm ± 0.20 mm [.062" ± .008"] PC board
- PA9T or PPS insulator
- Molded-in key available
- High reliability/high cycle hairpin bellow contacts
- 1 Amp current rating per contact for contacts fully energized
- 150 grams normal force minimum
- UL Flammability Rating: 94V-0

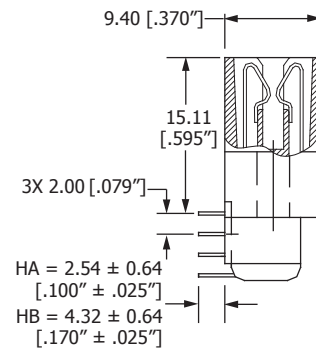


READOUT

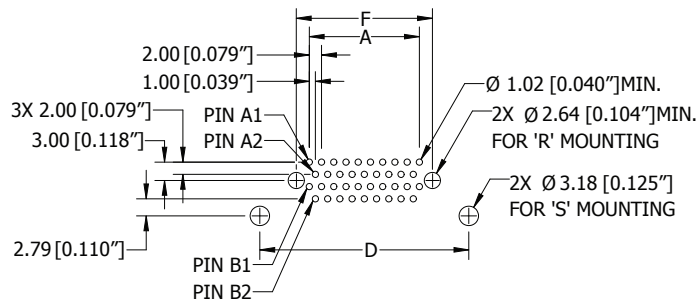


DUAL (D)

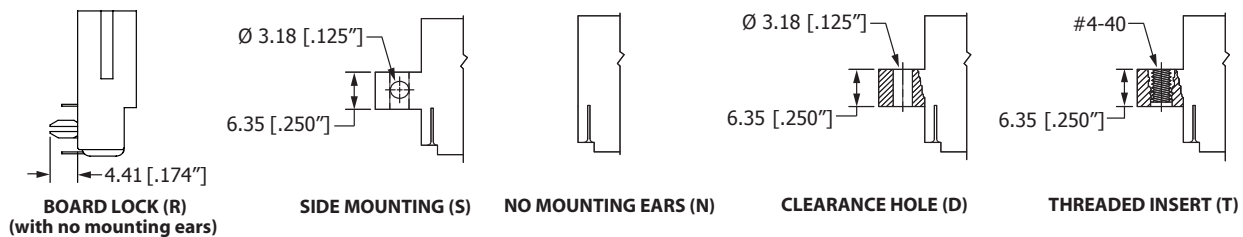
TERMINATION TYPE



PCB LAYOUT



MOUNTING STYLE



High Density Card Edge



1.00 mm [.039"] Contact Centers, 21.84 mm [.860"] Insulator Height, Right Angle

High Density Card Edge

PART NUMBER OPTIONS

MATERIALS (INSULATOR/CONTACT)

- G = PA9T/Phosphor Bronze
 - R = PPS/Phosphor Bronze
 - J = PA9T/Beryllium Copper
 - A = PPS/Beryllium Copper
- Refer to Page 7 for Operating/Processing Temperatures

CONTACT FINISH - RoHS Compliant

All platings are Lead Free and have .000050" Nickel underplate

Contact Surface	Termination
B = .00010" Gold	.000100" Pure Tin, Matte
C = .00030" Gold	.000100" Pure Tin, Matte

CONTACT CENTERS

E = 1 mm [.039"]

NUMBER OF CONTACT POSITIONS

See Chart Below

G B E 50 D HA D - Sxxx

MODIFICATION CODE (Consult Factory)
OMIT FOR STANDARD

MOUNTING STYLE (Opposite Page)

- D = Flush Mounting
- N = No Mounting
- R = Metal Board Lock
- S = Side Mounting
- T = Flush Mounting -Threaded Insert

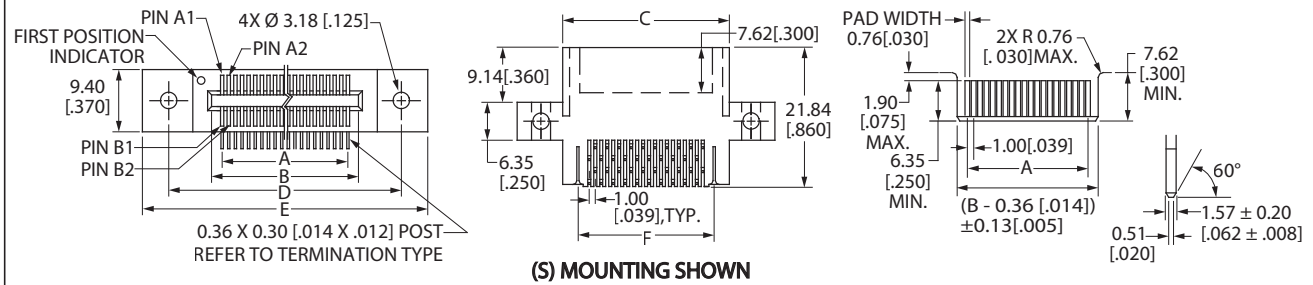
TERMINATION TYPE (Opposite Page)

- HA = 2.54 mm [.100"] Tail Length
- HB = 4.32 mm [.170"] Tail Length

READOUT (Opposite Page)

D = Dual

DIMENSIONS Dimensions in [] are in inches, all others are in millimeters.



POSITIONS/ CONTACTS	MILLIMETERS						INCHES					
	A±0.13	B±0.13	C±0.38	D±0.25	E±0.51	F±0.25	A±.005	B±.005	C±.015	D±.010	E±.020	F±.010
02/04*	1.00	4.32	9.89	17.15	25.13	5.25	0.039	0.170	0.389	0.675	0.989	0.207
03/06*	2.00	5.32	10.89	18.15	26.13	6.25	0.079	0.210	0.429	0.715	1.029	0.246
04/08*	3.00	6.32	11.89	19.15	27.13	7.25	0.118	0.249	0.468	0.754	1.068	0.285
05/10	4.00	7.32	12.89	20.15	28.13	8.25	0.157	0.288	0.507	0.793	1.107	0.325
06/12*	5.00	8.32	13.89	21.15	29.13	9.25	0.197	0.328	0.547	0.833	1.147	0.364
07/14*	6.00	9.32	14.89	22.15	30.13	10.25	0.236	0.367	0.586	0.872	1.186	0.404
08/16*	7.00	10.32	15.89	23.15	31.13	11.25	0.276	0.407	0.626	0.912	1.226	0.443
09/18*	8.00	11.32	16.89	24.15	32.13	12.25	0.315	0.446	0.665	0.951	1.265	0.482
10/20	9.00	12.32	17.89	25.15	33.13	13.25	0.354	0.485	0.704	0.990	1.304	0.522
11/22*	10.00	13.32	18.89	26.15	34.13	14.25	0.394	0.525	0.744	1.030	1.344	0.561
12/24	11.00	14.32	19.89	27.15	35.13	15.25	0.433	0.564	0.783	1.069	1.383	0.600
13/26*	12.00	15.32	20.89	28.15	36.13	16.25	0.472	0.603	0.822	1.108	1.422	0.640
14/28*	13.00	16.32	21.89	29.15	37.13	17.25	0.512	0.643	0.862	1.148	1.462	0.679
15/30	14.00	17.32	22.89	30.15	38.13	18.25	0.551	0.682	0.901	1.187	1.501	0.719
16/32	15.00	18.32	23.89	31.15	39.13	19.25	0.591	0.722	0.941	1.227	1.541	0.758
17/34*	16.00	19.32	24.89	32.15	40.13	20.25	0.630	0.761	0.980	1.266	1.580	0.797
18/36*	17.00	20.32	25.89	33.15	41.13	21.25	0.669	0.800	1.019	1.305	1.619	0.837
19/38*	18.00	21.32	26.89	34.15	42.13	22.25	0.709	0.840	1.059	1.345	1.659	0.876
20/40	19.00	22.32	27.89	35.15	43.13	23.25	0.748	0.879	1.098	1.384	1.698	0.915
21/42*	20.00	23.32	28.89	36.15	44.13	24.25	0.787	0.918	1.137	1.423	1.737	0.955
22/44*	21.00	24.32	29.89	37.15	45.13	25.25	0.827	0.958	1.177	1.463	1.777	0.994
23/46*	22.00	25.32	30.89	38.15	46.13	26.25	0.866	0.997	1.216	1.502	1.816	1.033
24/48*	23.00	26.32	31.89	39.15	47.13	27.25	0.906	1.037	1.256	1.542	1.856	1.073
25/50	24.00	27.32	32.89	40.15	48.13	28.25	0.945	1.076	1.295	1.581	1.895	1.112
26/52*	25.00	28.32	33.89	41.15	49.13	29.25	0.984	1.115	1.334	1.620	1.934	1.152
27/54*	26.00	29.32	34.89	42.15	50.13	30.25	1.024	1.155	1.374	1.660	1.974	1.191
28/56*	27.00	30.32	35.89	43.15	51.13	31.25	1.063	1.194	1.413	1.699	2.013	1.230
29/58*	28.00	31.32	36.89	44.15	52.13	32.25	1.102	1.233	1.452	1.738	2.052	1.270
30/60	29.00	32.32	37.89	45.15	53.13	33.25	1.142	1.273	1.492	1.778	2.092	1.309
31/62*	30.00	33.32	38.89	46.15	54.13	34.25	1.181	1.312	1.531	1.817	2.131	1.348
32/64*	31.00	34.32	39.89	47.15	55.13	35.25	1.220	1.351	1.570	1.856	2.170	1.388
33/66*	32.00	35.32	40.89	48.15	56.13	36.25	1.260	1.391	1.610	1.896	2.210	1.427
34/68*	33.00	36.32	41.89	49.15	57.13	37.25	1.299	1.430	1.649	1.935	2.249	1.467
35/70	34.00	37.32	42.89	50.15	58.13	38.25	1.339	1.470	1.689	1.975	2.289	1.506
36/72*	35.00	38.32	43.89	51.15	59.13	39.25	1.378	1.509	1.728	2.014	2.328	1.545
37/74*	36.00	39.32	44.89	52.15	60.13	40.25	1.417	1.548	1.767	2.053	2.367	1.585
38/76*	37.00	40.32	45.89	53.15	61.13	41.25	1.457	1.588	1.807	2.093	2.407	1.624
39/78*	38.00	41.32	46.89	54.15	62.13	42.25	1.496	1.627	1.846	2.132	2.446	1.663
40/80	39.00	42.32	47.89	55.15	63.13	43.25	1.535	1.666	1.885	2.171	2.485	1.703
41/82*	40.00	43.32	48.89	56.15	64.13	44.25	1.575	1.706	1.925	2.211	2.525	1.742
42/84*	41.00	44.32	49.89	57.15	65.13	45.25	1.614	1.745	1.964	2.250	2.564	1.781
43/86*	42.00	45.32	50.89	58.15	66.13	46.25	1.654	1.785	2.004	2.290	2.604	1.821
44/88*	43.00	46.32	51.89	59.15	67.13	47.25	1.693	1.824	2.043	2.329	2.643	1.860
45/90	44.00	47.32	52.89	60.15	68.13	48.25	1.732	1.863	2.082	2.368	2.682	1.900
46/92*	45.00	48.32	53.89	61.15	69.13	49.25	1.772	1.903	2.122	2.408	2.722	1.939
47/94*	46.00	49.32	54.89	62.15	70.13	50.25	1.811	1.942	2.161	2.447	2.761	1.978
48/96*	47.00	50.32	55.89	63.15	71.13	51.25	1.850	1.981	2.200	2.486	2.800	2.018
49/98*	48.00	51.32	56.89	64.15	72.13	52.25	1.890	2.021	2.240	2.526	2.840	2.057
50/100	49.00	52.32	57.89	65.15	73.13	53.25	1.929	2.060	2.279	2.565	2.879	2.096

* Consult factory for availability.