



Chipsmall Limited consists of a professional team with an average of over 10 year of expertise in the distribution of electronic components. Based in Hongkong, we have already established firm and mutual-benefit business relationships with customers from,Europe,America and south Asia,supplying obsolete and hard-to-find components to meet their specific needs.

With the principle of “Quality Parts,Customers Priority,Honest Operation,and Considerate Service”,our business mainly focus on the distribution of electronic components. Line cards we deal with include Microchip,ALPS,ROHM,Xilinx,Pulse,ON,Everlight and Freescale. Main products comprise IC,Modules,Potentiometer,IC Socket,Relay,Connector.Our parts cover such applications as commercial,industrial, and automotives areas.

We are looking forward to setting up business relationship with you and hope to provide you with the best service and solution. Let us make a better world for our industry!



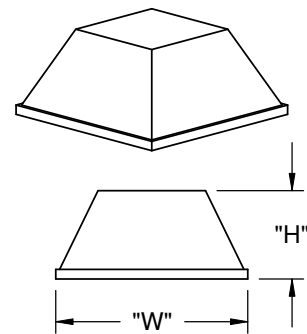
Contact us

Tel: +86-755-8981 8866 Fax: +86-755-8427 6832

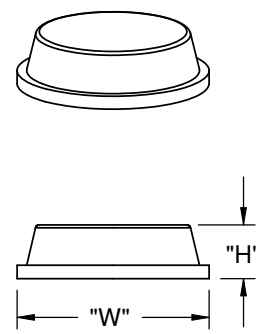
Email & Skype: info@chipsmall.com Web: www.chipsmall.com

Address: A1208, Overseas Decoration Building, #122 Zhenhua RD., Futian, Shenzhen, China

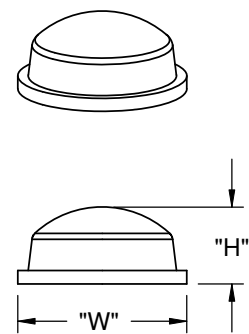




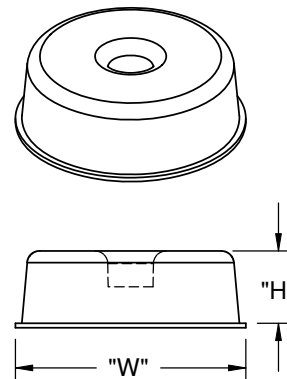
TYPE 1.



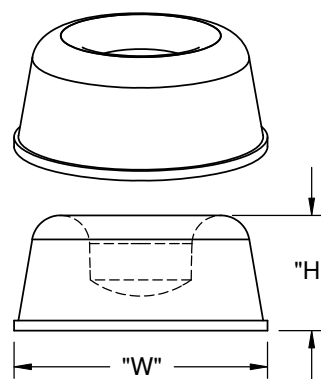
TYPE 2.



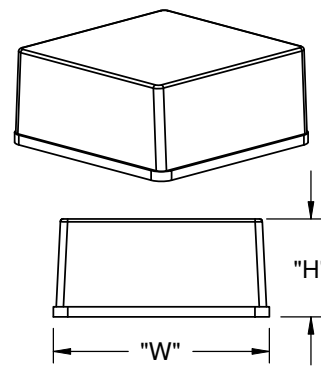
TYPE 3.



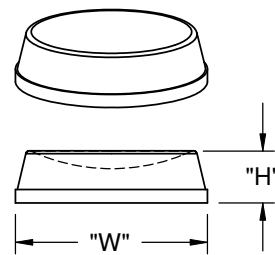
TYPE 4.



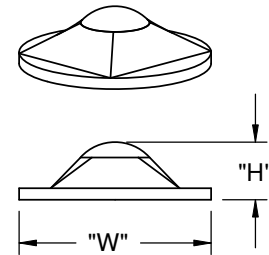
TYPE 5.



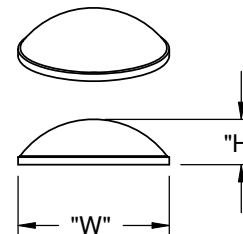
TYPE 6.



TYPE 7.



TYPE 8.



TYPE 9.

PART NO.	DIA. (OR "W") ±.020 [±0.5]	HEIGHT "H" ±.020 [±0.5]	6 X 12 MATRIX KISS CUT PAD PCS/PAD	TYPE	QTY. CTN
RBS-3R	.50 [12.7]	.23 [5.8]	200	1 (PYRAMID)	5000
RBS-19	.81 [20.5]	.30 [7.6]	98		2646
RBS-20	.40 [10.2]	.10 [2.5]	242		5082
RBS-29	.78 [19.8]	.25 [6.4]	98		2940
RBS-32R		.12 [3.1]			5000
RBS-1	.50 [12.7]	.14 [3.5]	200	2 (CYLINDRICAL)	5000
RBS-5		.06 [1.6]			5000
RBS-6		.25 [6.3]			5000
RBS-11		.62 [15.9]			.40 [10.1]
RBS-24	.81 [20.5]	.12 [3.1]	72		2560
RBS-34	.37 [9.5]		300		2520
RBS-35		.19 [4.8]	200		6000
RBS-41	.78 [20.0]	.20 [5.1]	84		5000
RBS-44	.75 [19.1]	.16 [4.1]	98		2560
RBS-72	1.24 [31.5]	.10 [2.5]	32		2450
RBS-2	.44 [11.1]	.20 [5.1]	242	3 (DOMES)	2400
RBS-8	.70 [17.6]	.38 [9.6]	98		5082
RBS-12	.38 [9.6]	.15 [3.8]	72		2254
RBS-15	.62 [16.0]	.31 [7.9]	128		7200
RBS-22	.38 [9.6]	.21 [5.4]	300		3200
RBS-27	.31 [7.9]	.08 [2.2]	450		6000
RBS-37	.72 [18.3]	.56 [14.2]	100 SEPARATE PARTS		5400
RBS-39	.75 [19.1]	.07 [1.9]	84		1500
RBS-40	.25 [6.4]	.06 [1.6]	578		5040
RBS-30	1.8 [45.7]	.60 [15.8]	100 SEPARATE PARTS		4 (ROUND)
RBS-17	.88 [22.3]	.40 [10.1]	72	5 (ROUND)	1440
RBS-4	.78 [19.8]	.38 [9.7]	100 SEPARATE PARTS	6 (SQUARE)	5600
RBS-36	1.00 [25.4]	.18 [4.7]	55		2310
RBS-18	.50 [12.7]	.14 [3.5]	200	7 (ROUND)	5000
RBS-33-SD		.15 [3.8]		8 (ROUND-PYRAMID)	5000
RBS-7	.335 [8.6]	.085 [2.2]	450	9 (DOMES)	5400
RBS-10	.39 [10]	.12 [3]	288		7200

NOTES:
 1. MATERIAL: POLYURETHANE (RMS-64), 60-70 DUROMETER, SHORE A.
 2. STANDARD COLOR: CLEAR AND BLACK: TO ORDER BLACK ADD "-BK" TO PART NO. BROWN "-BN", WHITE "-WH", OR GRAY "-GY" AVAILABLE BY SPECIAL ORDER ONLY. PART NO. RBS-33-SD AND RBS-10 AVAILABLE IN CLEAR ONLY.
 3. ADHESIVE: RUBBER (RMS-68).
 4. LIGHTER BUMPER COLORS MAY SHOW SOME DARKENING OR YELLOWING WHEN NOT STORED IN ORIGINAL UNOPENED CARTON.
 *NON STAINING, NON MARRING.
 *CRACK RESISTANT.

REV.	DESCRIPTION	ENGR.	DATE
X	SEE CO 200507 FOR CHANGES	SK	03/08/10
W	SEE CO 200500 FOR CHANGES	SK	02/22/10
-	SEE ENGINEERING FOR REV. A-V	-	----

TITLE: RICHCO BUMPERS				DWG IN IN [MM]		FINAL	
CREATED USING SOLIDWORKS	FILE #: RBS	DWN: SM	APP: DJZ				
TOLERANCES UNLESS NOTED .XX=±.010 .XXX=±.005 FRAC.=±1/64 ANG.=±1°	SHEET: 1 OF 1	SHEET SIZE: B	DT: 08/12/04	CHKD: RG	PART #		
RE: RICHCO, INC.		RICHCO, INC. ENG@RICHCO-INC.COM (773) 539-4060		SEE TABLE		PRINT TYPE CA	