



Chipsmall Limited consists of a professional team with an average of over 10 year of expertise in the distribution of electronic components. Based in Hongkong, we have already established firm and mutual-benefit business relationships with customers from,Europe,America and south Asia,supplying obsolete and hard-to-find components to meet their specific needs.

With the principle of “Quality Parts,Customers Priority,Honest Operation,and Considerate Service”,our business mainly focus on the distribution of electronic components. Line cards we deal with include Microchip,ALPS,ROHM,Xilinx,Pulse,ON,Everlight and Freescale. Main products comprise IC,Modules,Potentiometer,IC Socket,Relay,Connector.Our parts cover such applications as commercial,industrial, and automotives areas.

We are looking forward to setting up business relationship with you and hope to provide you with the best service and solution. Let us make a better world for our industry!



## Contact us

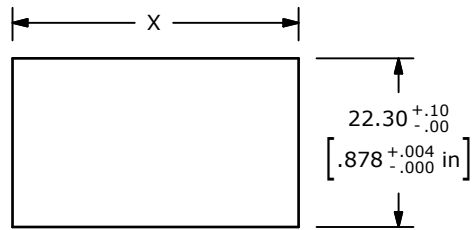
Tel: +86-755-8981 8866 Fax: +86-755-8427 6832

Email & Skype: info@chipsmall.com Web: www.chipsmall.com

Address: A1208, Overseas Decoration Building, #122 Zhenhua RD., Futian, Shenzhen, China

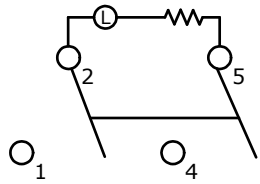
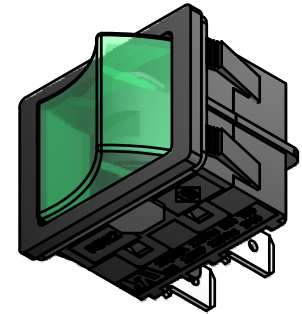
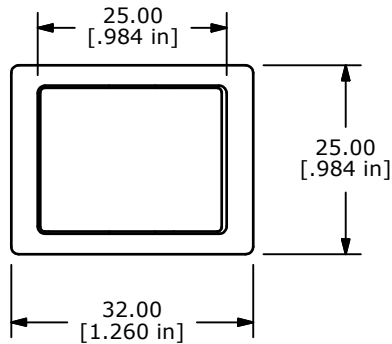


SWITCH FUNCTION ▲		
POS. 1	POS. 2	POS. 3
OFF	N/A	ON
OPEN	N/A	2-1, 5-4



RECOMMENDED PANEL MOUNTING

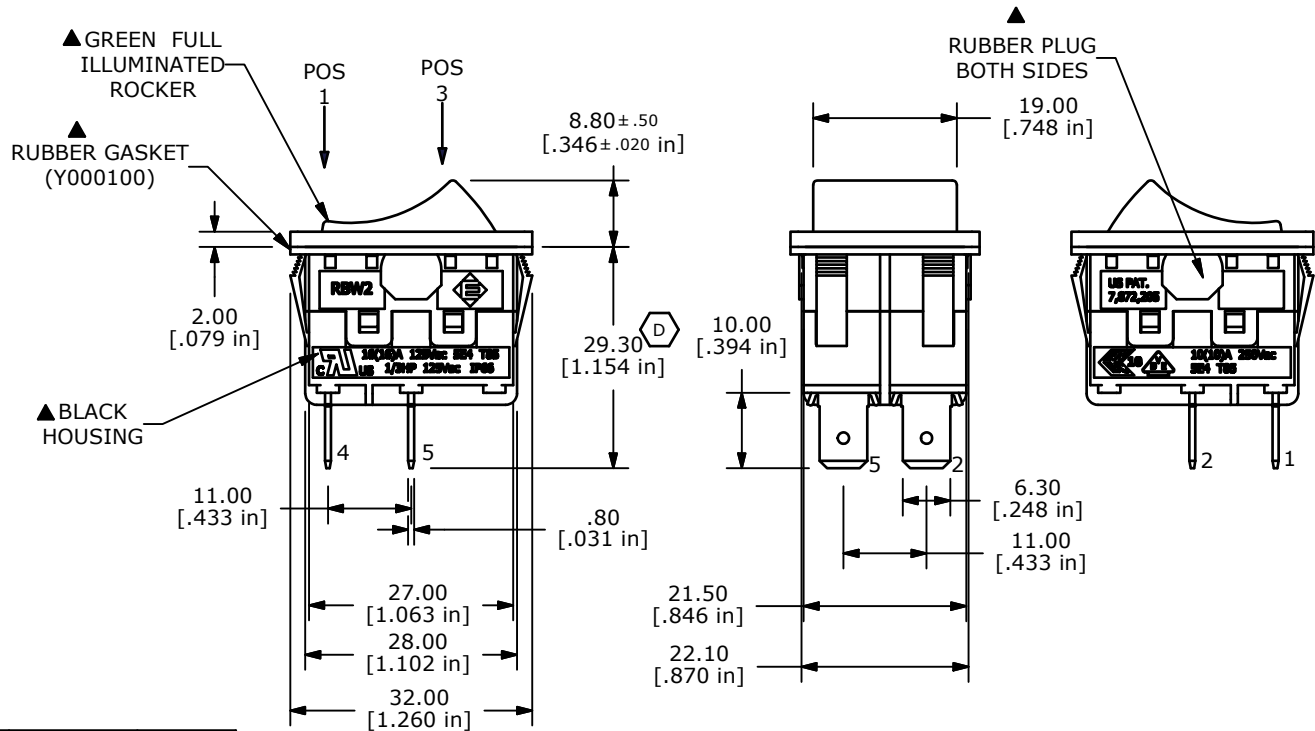
PANEL THICKNESS	X
1.2-1.8	29.9/30.0
1.8-2.4	30.3/30.4
2.4-3.0	30.7/30.8



CIRCUIT: SPDT FUNCTIONS

NOTES:

- ALL DIMENSIONS IN MM [INCH]
- GENERAL TOLERANCE: X.X=±0.4  
X.XX=±0.25
- TERM. NOS. FOR REF. ONLY
- RATING: CUL: 16(16)A 125VAC 5E4 T85  
1/3HP 125VAC IP66  
VDE: 10(10)A 250VAC 5E4 T85
- MECHANICAL LIFE: 50,000 CYCLES
- CONTACT RESISTANCE: <30 MILLI-OHMS INITIAL
- DIELECTRIC STRENGTH: 1000V AC 1MIN
- ▲ DENOTES CRITICAL PARAMETER.
- INSULATION RESISTANCE: 500M OHMS AT 500VDC
- OPERATING TEMP: -20°C to 85°C
- ▲ LAMP: 125VAC NEON
- RATING: IP66
- 2002/95/EC (ROHS) COMPLIANT



REV	PCR NO	DESCRIPTION	DATE	BY
D	20086	ADD RUBBER PLUG & GASKET, was 29.00	8/10/11	BGL
C	19686	UPDATE SYMBOLS ON BODY	02/16/11	BMA
B	19564	REMOVE TERMINALS 3 AND 6	01/06/11	BMA
A	19551	New Release	12/29/10	rc



TITLE RBW2ABLK GILEF1

SCALE	DATE	DR	DWG	REV
2:1	12/27/2010	rc	Y100006	D