



Chipsmall Limited consists of a professional team with an average of over 10 year of expertise in the distribution of electronic components. Based in Hongkong, we have already established firm and mutual-benefit business relationships with customers from,Europe,America and south Asia,supplying obsolete and hard-to-find components to meet their specific needs.

With the principle of "Quality Parts,Customers Priority,Honest Operation,and Considerate Service",our business mainly focus on the distribution of electronic components. Line cards we deal with include Microchip,ALPS,ROHM,Xilinx,Pulse,ON,Everlight and Freescale. Main products comprise IC,Modules,Potentiometer,IC Socket,Relay,Connector.Our parts cover such applications as commercial,industrial, and automotives areas.

We are looking forward to setting up business relationship with you and hope to provide you with the best service and solution. Let us make a better world for our industry!



Contact us

Tel: +86-755-8981 8866 Fax: +86-755-8427 6832

Email & Skype: info@chipsmall.com Web: www.chipsmall.com

Address: A1208, Overseas Decoration Building, #122 Zhenhua RD., Futian, Shenzhen, China



PART NAME

SWIVEL CASTER WITH BRAKE

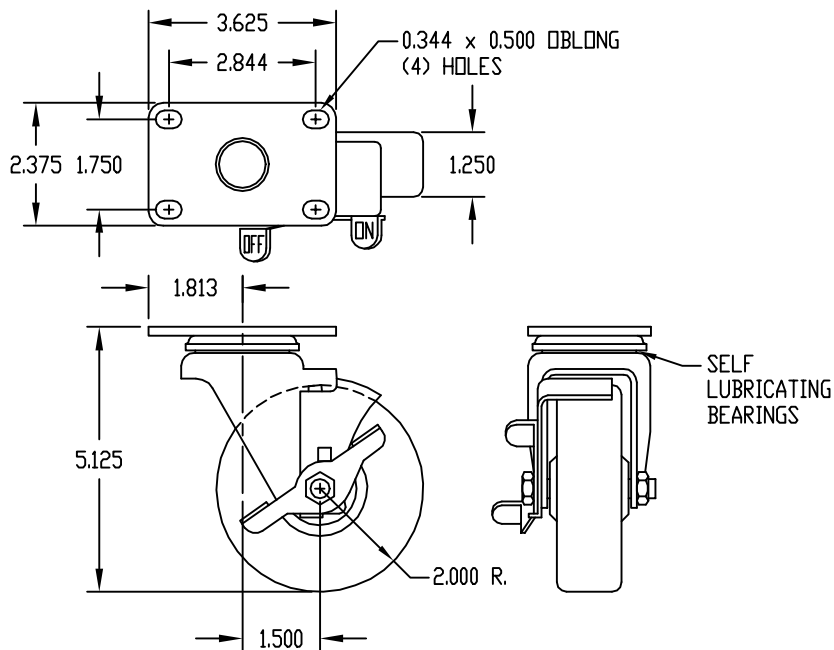
PART No.

RC-7761

LOAD RATING: 240 LBS.

WHEEL MATERIAL: HARD TREAD RUBBER

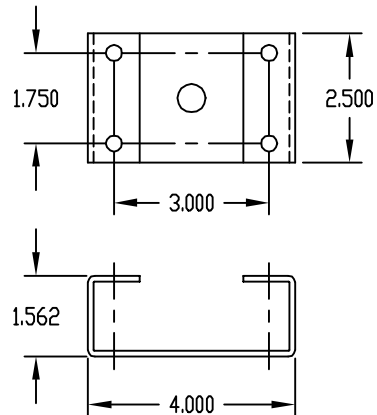
CASTERS ARE PACKAGED IN PAIRS.



MOUNTING BRACKET

MATERIAL: 12 GA. STEEL

FINISH: FLAT BLACK SMOOTH



SWIVEL RADIUS: 3.500

CASTERS WILL RAISE SERIES-60 & -2000 CABINET RACKS BY 4.000 INCHES AND RAISE ECONDMIZER CABINET RACKS BY 4.125 INCHES.

PART NAME

SWIVEL CASTER

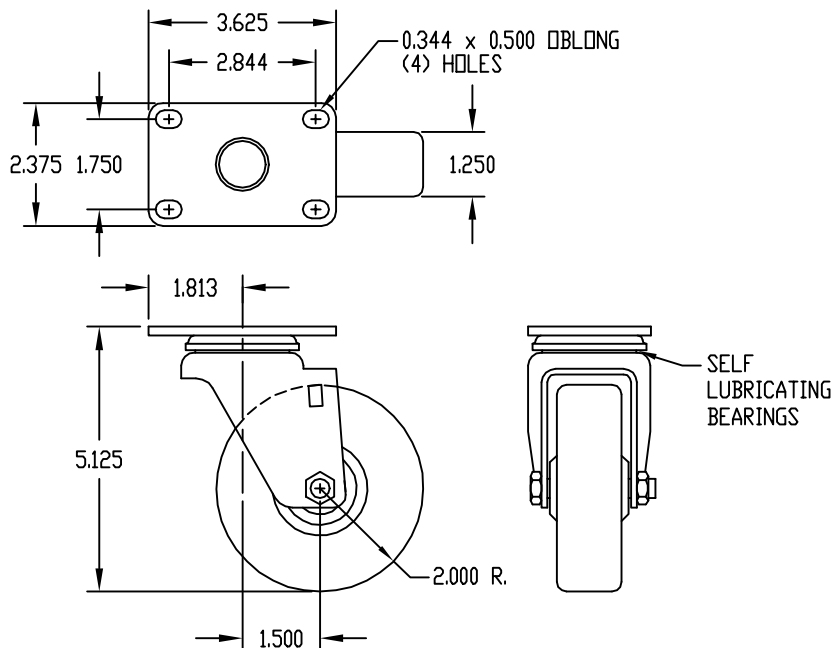
PART No.

RC-7762

LOAD RATING: 240 LBS.

WHEEL MATERIAL: HARD TREAD RUBBER

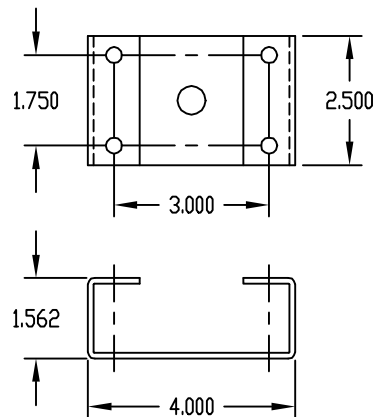
CASTERS ARE PACKAGED IN PAIRS.



MOUNTING BRACKET

MATERIAL: 12 GA. STEEL

FINISH: FLAT BLACK SMOOTH



SWIVEL RADIUS: 3.500

CASTERS WILL RAISE SERIES-60 & -2000 CABINET RACKS BY 4.000 INCHES AND RAISE ECONDMIZER CABINET RACKS BY 4.125 INCHES.