



Chipsmall Limited consists of a professional team with an average of over 10 year of expertise in the distribution of electronic components. Based in Hongkong, we have already established firm and mutual-benefit business relationships with customers from,Europe,America and south Asia,supplying obsolete and hard-to-find components to meet their specific needs.

With the principle of "Quality Parts,Customers Priority,Honest Operation,and Considerate Service",our business mainly focus on the distribution of electronic components. Line cards we deal with include Microchip,ALPS,ROHM,Xilinx,Pulse,ON,Everlight and Freescale. Main products comprise IC,Modules,Potentiometer,IC Socket,Relay,Connector.Our parts cover such applications as commercial,industrial, and automotives areas.

We are looking forward to setting up business relationship with you and hope to provide you with the best service and solution. Let us make a better world for our industry!



Contact us

Tel: +86-755-8981 8866 Fax: +86-755-8427 6832

Email & Skype: info@chipsmall.com Web: www.chipsmall.com

Address: A1208, Overseas Decoration Building, #122 Zhenhua RD., Futian, Shenzhen, China



KNX[®] RF Multi Transceiver Module with Embedded protocol

ADVANCE INFORMATION

This document contains information on a new product. Specifications and information herein are subject to change without notice.

Product Description

The RC1180-KNX[®] RF Transceiver Module is a compact surface-mounted high performance module with embedded KNX-RF Multi protocol as defined by the KNX Association (www.knx.org). The module has a UART interface for serial communication and configuration. The module is pre-certified for operation under the European radio regulations for license-free use and measures only 12.7 x 25.4 x 3.3 mm with shielding. When used with quarter-wave antennas a line-of-sight range of 600-800 meter can be achieved. The RC1180-KNX meets the KNX specification and supports S, A and E modes, and operates in the 868 MHz frequency band. The physical layer complies with the relevant parts of the EN 50090 (ISO/IEC 14543-3).

Applications

- Home and building control
- HVAC
- AMR, Automatic Meter Reading
- Gateways KNX RF/KNX-IP/KNX Twisted Pair



Features

- Embedded KNX-RF protocol (KNX-RF v1.1, KNX Ready and KNX-RF Multi)
- Frequency agility, by using up to 5 channels
- Fast link acknowledgement of up to 64 receivers
- Automatic retransmissions
- Repeaters, extending range of KNX-RF Multi messages by 2 hops and KNX-RF Ready messages by 6 hops
- Binding of up to 64 other KNX-RF devices
- Listen Before Talk (LBT) to reduce collisions
- Automatic battery supervision
- Received Signal Strength Information (RSSI)
- Pin compatible with the Wireless M-Bus module RC1180-MBUS
- 12.7 x 25.4 x 3.3 mm compact module for SMD mounting
- Completely Shielded
- Wide supply voltage range, 2.0 – 3.9 V
- Ultra low power modes for extended battery lifetime
- Conforms with EU R&TTE directive (EN 300 220, EN 301 489, EN 60950)
- Confirms with EN 50090 (ISO/IEC 14543-3)
- Designed for EX compliance

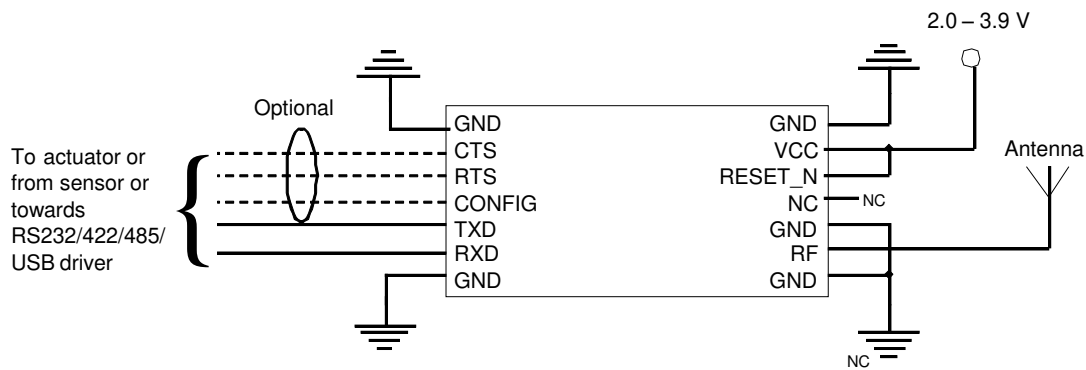
Quick Reference Data

Parameter	RC1180-KNX	Unit
Frequency band	868.0 – 870.0	MHz
Nominal frequency		
Fast Channels F1*, F2, F3	868.30, 868.95, 869.85	MHz
Slow Channels S1, S2	869.850, 869.525	
Number of channels	5	
Nominal data rate		
Fast Channels F1, F2, F3	32.768	kchip/s

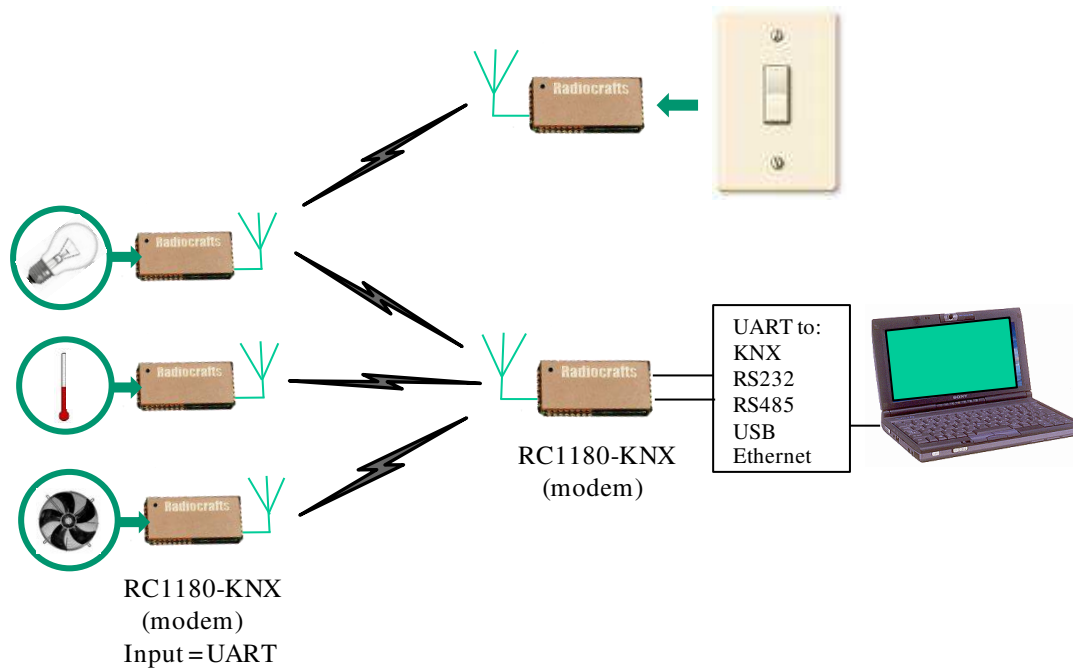
Slow Channels S1, S2	16.384	
Max output power	10	dBm
Sensitivity at nominal data rate (typ)	-102	dBm
Supply voltage	2.0 – 3.9	Volt
Current consumption, RX / TX	24 / 37	mA
Current consumption, SLEEP	Typ 0.3	uA
Temperature range	-40 to +85	°C

*The fast channel F1 is the same channel as used by KNX-RF Ready and KNX-RF 1.1

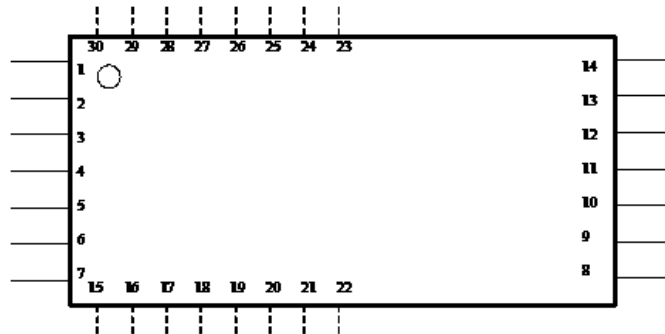
Typical connection circuit



Principle of operation



Pin Assignment

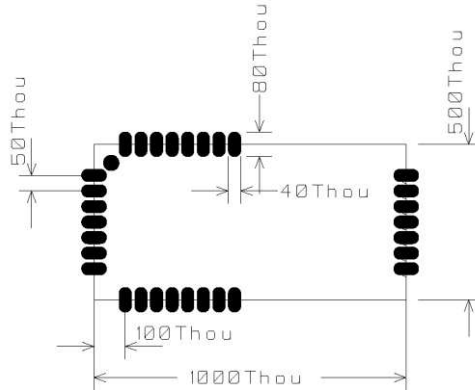


Pin Description

Pin no	Pin name	Description
1	GND	System ground
2	CTS/RXTX	UART Clear to Send
3	RTS/SLEEP	UART Request to Send
4	CONFIG	Configuration Enable. Active low.
5	TXD	UART TX Data
6	RXD	UART RX Data
7	GND	System ground
8	GND	System ground
9	RF	RF I/O connection to antenna
10	GND	System ground
11	NC	Not Connected
12	Reset	RESET_N. Active Low
13	VCC	Supply voltage input. Internally regulated.
14	GND	System ground
15-30	I/O	For future use and customer specific customized firmware, do not connect

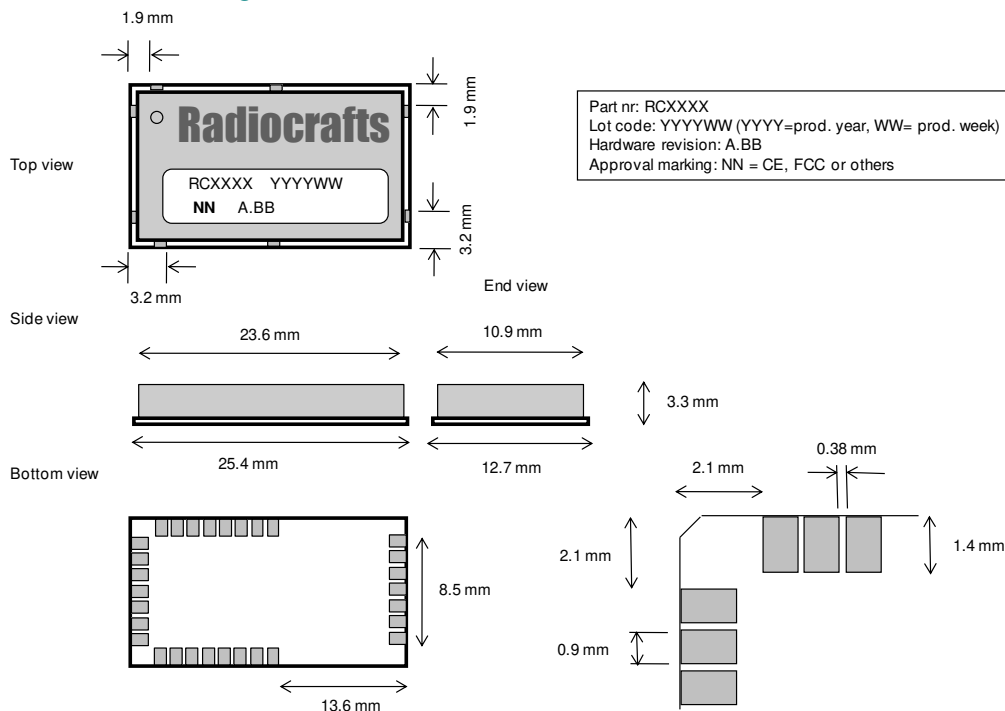
PCB Layout Recommendations

The recommended layout pads for the module are shown in the figure below. All dimensions are in thousands of an inch (mil) and the modules outer dimensions are fixed. The circle in upper left corner is an orientation mark only, and should not be a part of the copper pattern.



A PCB with two or more layers and with a solid ground plane in one of the inner- or bottom layer(s) is recommended. All GND-pins of the module shall be connected to this ground plane with vias with shortest possible routing, one via per GND-pin.

Mechanical Drawing



Drawings are not to scale

Mechanical Dimensions

The module size is 12.7 x 25.4 x 3.3 mm

© 2011 Radiocrafts AS. All rights reserved.

Radiocrafts AS, Sandakerveien 64, NO-0484 OSLO, NORWAY
 E-mail: sales@radiocrafts.com Web site: www.radiocrafts.com
 Phone: (+47) 4000 5195 Fax: (+47) 22 71 29 15