

Chipsmall Limited consists of a professional team with an average of over 10 year of expertise in the distribution of electronic components. Based in Hongkong, we have already established firm and mutual-benefit business relationships with customers from,Europe,America and south Asia,supplying obsolete and hard-to-find components to meet their specific needs.

With the principle of “Quality Parts,Customers Priority,Honest Operation,and Considerate Service”,our business mainly focus on the distribution of electronic components. Line cards we deal with include Microchip,ALPS,ROHM,Xilinx,Pulse,ON,Everlight and Freescale. Main products comprise IC,Modules,Potentiometer,IC Socket,Relay,Connector.Our parts cover such applications as commercial,industrial, and automotives areas.

We are looking forward to setting up business relationship with you and hope to provide you with the best service and solution. Let us make a better world for our industry!



## Contact us

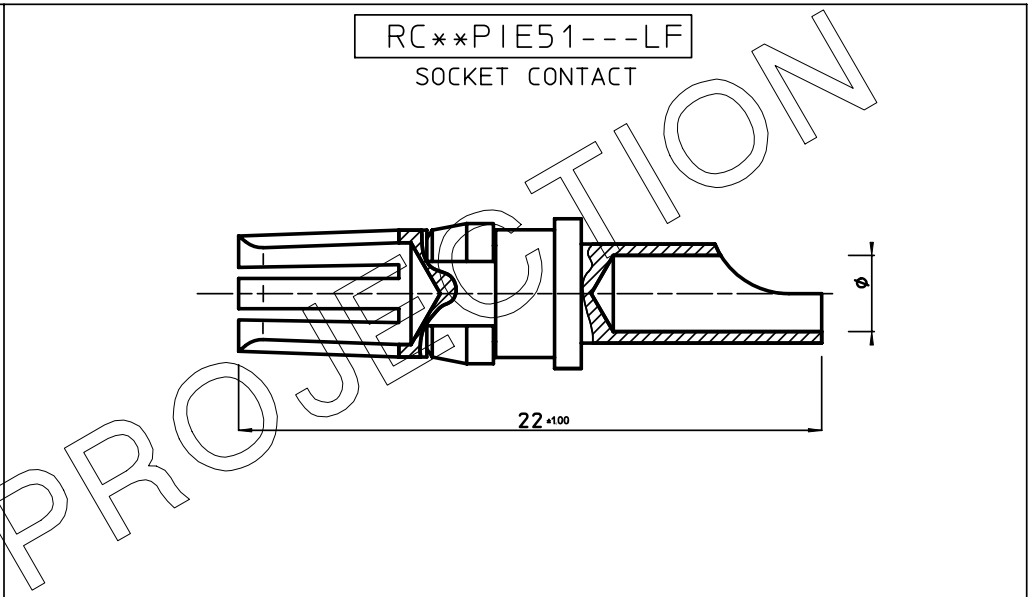
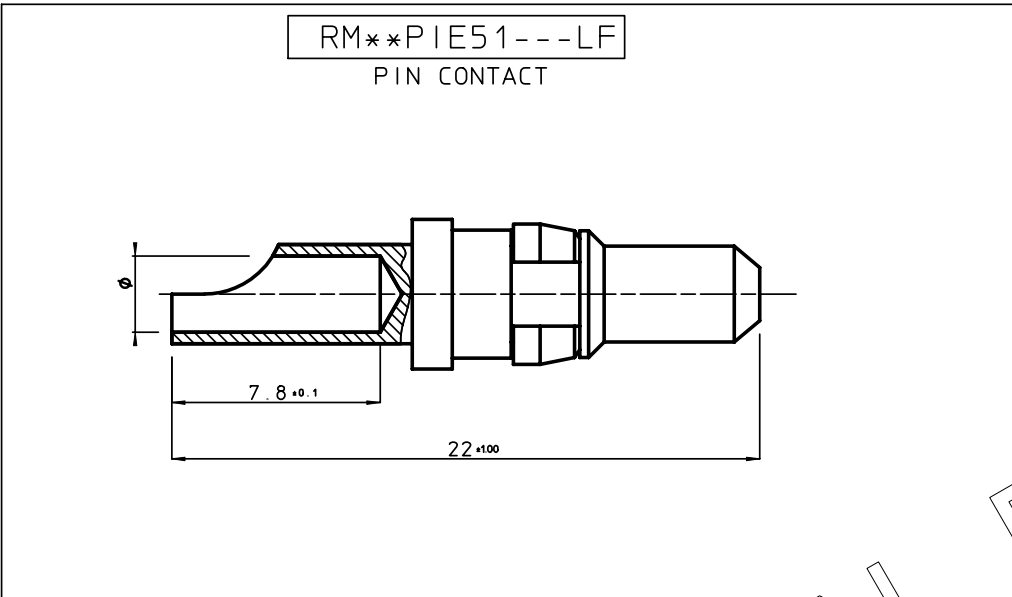
Tel: +86-755-8981 8866 Fax: +86-755-8427 6832

Email & Skype: info@chipsmall.com Web: www.chipsmall.com

Address: A1208, Overseas Decoration Building, #122 Zhenhua RD., Futian, Shenzhen, China

GEN. ST.	01	02	03	04	05	06	07	08	0D	50	60	70	80	90																	
INT. ST.	10	11	12	13	14	18	20	31	32	33	34	38	39	40	42	43	44	45	46	48	56	70	72	73	75	76	81	82	83	84	88

REV.	DATE	DESCRIPTION	BY	C'K'D'
A	2001-09-14	CONVERSION REVISION 03	KN	
B	2006-04-19	106-0047	ALEX B	BKP



PERFORMANCE CHARACTERISTICS:


- INSERTION FORCE: 10 N MAX.
- WITHDRAWAL FORCE: 1.6 N MIN.
- CONTACT RESISTANCE: < 1mΩ UNDER 10 A

CATALOGUE NUMBER	WIRE SIZE		φ	MAX. CURRENT
	AWG	MM²		
R*16PIE51---LF	16	1.3	1.7	10 A
R*12PIE51---LF	12	4.0	2.8	20 A
R*10PIE51---LF	10	6.0	3.5	30 A

PLATING CODE

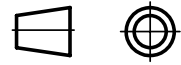
NOTE:

- 1, FOR MISSING INFO SEE DRAWING BS.C , 201624 , 028
- 2, THE PRODUCT (LF) MEETS EUROPEAN UNION DIRECTIVES AND OTHER COUNTRY REGULATIONS AS DESCRIBED IN GS-22-008.

1DEC ± 0,2 2DEC ± 0,1 ANGLES ± 1°	<b>APPR.</b>	<b>DATE</b>	<b>SIGN.</b>	MALE / FEMALE POWER CONTACTS (HANDSOLDER)
	DRAFT	1993-05-05	W.P.	<b>CAT. No.</b> R---PIE51---LF
	CHECKED			
WE RESERVE THE RIGHT TO CHANGE DIMENSIONS OR REQUIREMENTS WITHOUT PRIOR NOTICE.	PROD. MGR.			 www.fciconnect.com
	PR. ENG. MGR.			
	PR. MGT. MGR.			5/1

ALL DIMENSIONS IN MM

REFERENCES



BS.C , 201624 , 002 B

THIS IS OUR EXCLUSIVE PROPERTY. IT IS NOT TO BE COPIED, REPRINTED OR DISCLOSED TO A THIRD PARTY, NOR USED FOR MANUFACTURING WITHOUT OUR WRITTEN CONSENT, AND HAS TO BE RETURNED TO US IN CASE OF NO USAGE. DIT IS ONZE EIGENDOM EN MAG NIET NAGEMAAKT, HERDRUKT, OVERGEMAAKT AAN DERDEN, NOCH VOOR FABRIKATIE GEBRUIKT WORDEN, ZONDER ONZE SCHRIFTELIJKE TOELATING. BIJ NIET GEBRUIK IS TERUGZENDING VERPLICHT.