



Chipsmall Limited consists of a professional team with an average of over 10 year of expertise in the distribution of electronic components. Based in Hongkong, we have already established firm and mutual-benefit business relationships with customers from,Europe,America and south Asia,supplying obsolete and hard-to-find components to meet their specific needs.

With the principle of “Quality Parts,Customers Priority,Honest Operation,and Considerate Service”,our business mainly focus on the distribution of electronic components. Line cards we deal with include Microchip,ALPS,ROHM,Xilinx,Pulse,ON,Everlight and Freescale. Main products comprise IC,Modules,Potentiometer,IC Socket,Relay,Connector.Our parts cover such applications as commercial,industrial, and automotives areas.

We are looking forward to setting up business relationship with you and hope to provide you with the best service and solution. Let us make a better world for our industry!



Contact us

Tel: +86-755-8981 8866 Fax: +86-755-8427 6832

Email & Skype: info@chipsmall.com Web: www.chipsmall.com

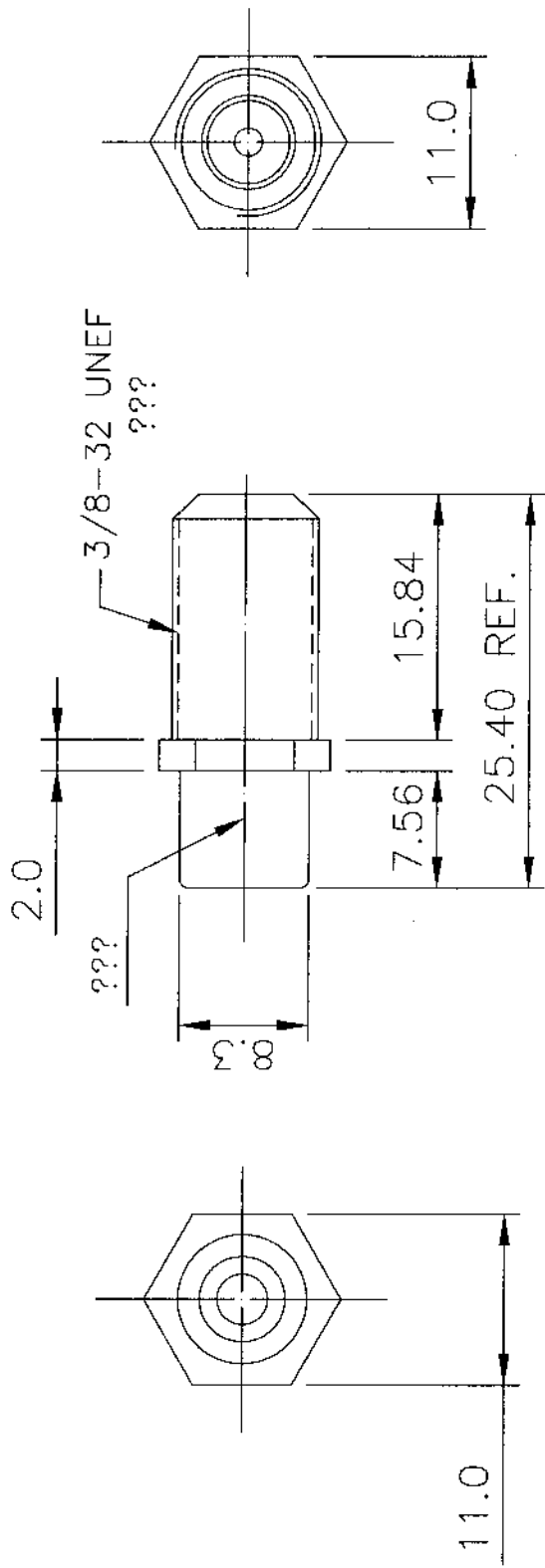
Address: A1208, Overseas Decoration Building, #122 Zhenhua RD., Futian, Shenzhen, China



4 3 2 1

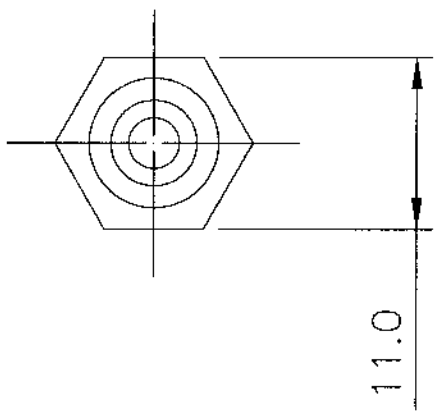
REVISIONS

ZONE	REV	DESCRIPTION	DATE	APPROVED
	A	RELEASE FOR PRODUCTION	03/12/02	

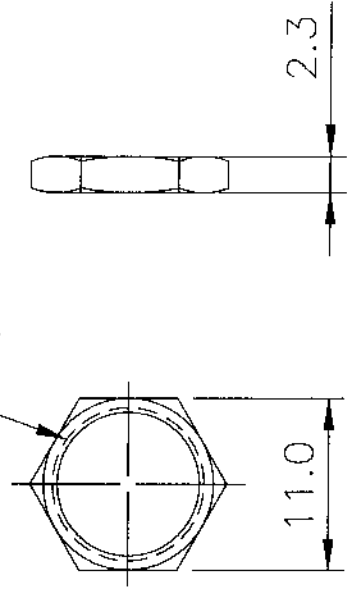


3/8-32 UNEF
???

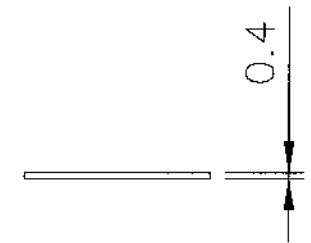
???



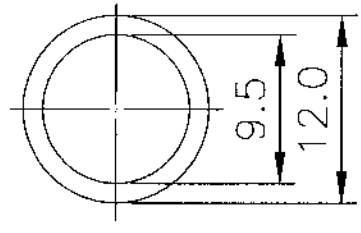
3/8-32 UNEF-2B



NUT:



WASH:



NOTE:

1. MATERIAL: BRONZE WITH GOLD PLATING, FLASH
2. F-CONNECTOR: THREADS: 3/8-32 UNEF
3. RCA CONNECTOR INSERT COLOR TO BE RED.

XMI-DYNA072CST

REC'D NOV 1 2 2002

UNLESS OTHERWISE SPECIFIED:		PROJECT ID		TITLE	
DECIMAL	~20 ±0.1mm	H2031-RFG5	FILE	Q0616.DWG	DATE
OVER 20-60	±0.15mm		DRAWN	BOB	03/12/02
OVER 60~	±0.2mm		CHECK		
MATERIAL	AS NOTE		APPROVED		
SURFACE					
FINISH	AS NOTE				
HELEMANNTYTON		RCA TO F CONNECTOR			
SIZE	A4	DRAWING NUMBER	Q0616	PART NUMBER	RCAINSERT
SCALE	1:1	UNIT	mm	SHEET	1 of 1