



Chipsmall Limited consists of a professional team with an average of over 10 year of expertise in the distribution of electronic components. Based in Hongkong, we have already established firm and mutual-benefit business relationships with customers from,Europe,America and south Asia,supplying obsolete and hard-to-find components to meet their specific needs.

With the principle of “Quality Parts,Customers Priority,Honest Operation,and Considerate Service”,our business mainly focus on the distribution of electronic components. Line cards we deal with include Microchip,ALPS,ROHM,Xilinx,Pulse,ON,Everlight and Freescale. Main products comprise IC,Modules,Potentiometer,IC Socket,Relay,Connector.Our parts cover such applications as commercial,industrial, and automotives areas.

We are looking forward to setting up business relationship with you and hope to provide you with the best service and solution. Let us make a better world for our industry!



Contact us

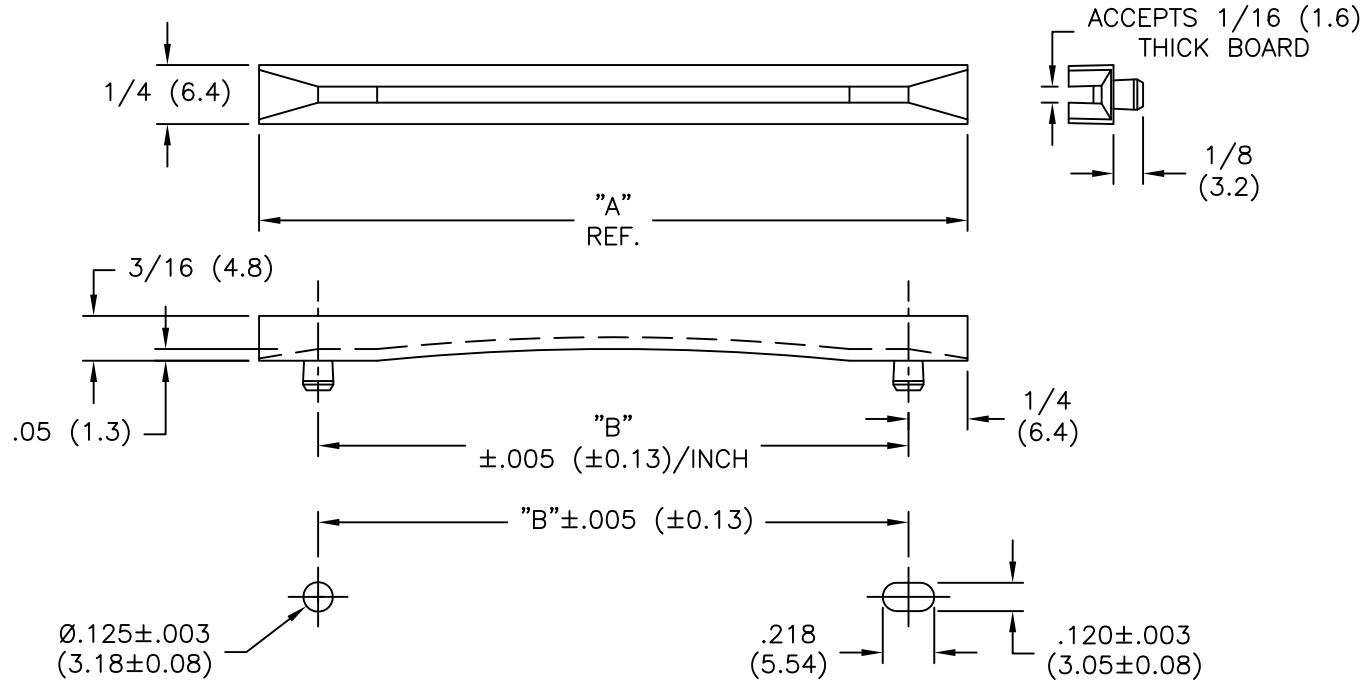
Tel: +86-755-8981 8866 Fax: +86-755-8427 6832

Email & Skype: info@chipsmall.com Web: www.chipsmall.com

Address: A1208, Overseas Decoration Building, #122 Zhenhua RD., Futian, Shenzhen, China



PART NO.	DIM. "A"	DIM. "B"
RCG-1	3.0 (76.2)	2.5 (63.5)
RCG-2	4.0 (101.6)	3.5 (88.9)
RCG-3	6.0 (152.4)	5.5 (139.7)
RCG-4	8.5 (215.9)	8.0 (203.2)



RECOMMENDED MOUNTING HOLES
IN 1/16" (1.6) NOMINAL THICK PANEL

NOTES:

- MATERIAL: NYLON 6/6 UL94 V-2 (RMS-01)
-NYLON 6/6 UL94 V-0 (RMS-19).
AVAILABLE BY SPECIAL ORDER ONLY.
- COLOR: NATURAL.
- ALTERNATE UNITS FOR REFERENCE ONLY.

TITLE: RACK CARD GUIDES			DWG IN IN(MM)		FINAL		PRINT TYPE	
D	SEE CO 200471 FOR CHANGES	SK 12.01.09	FILE # RCG	DWN: J.B.	APP:	PART #		CA
C	SEE ECN #831 FOR CHANGES	SM 08.09.04	MAT'L: SEE NOTES	DT: 12-05-95	DT:	SEE TABLE		
B	CHANGED DIM. "B" FROM FRAC. TO DEC.	SM 02.05.02	RE: RICHCO, INC.	RICHCO INC.				
A	CHANGED FILE NUMBER	SM 05.11.01		PO BOX 804238, CHICAGO, 60680				
REV	DESCRIPTION	ENGR DATE		(773) 539-4060				

TOLERANCES UNLESS NOTED
.XX= ± 0.10
.XXX= ± 0.005
FRAC=1/64
ANG=1°