



Chipsmall Limited consists of a professional team with an average of over 10 year of expertise in the distribution of electronic components. Based in Hongkong, we have already established firm and mutual-benefit business relationships with customers from,Europe,America and south Asia,supplying obsolete and hard-to-find components to meet their specific needs.

With the principle of “Quality Parts,Customers Priority,Honest Operation,and Considerate Service”,our business mainly focus on the distribution of electronic components. Line cards we deal with include Microchip,ALPS,ROHM,Xilinx,Pulse,ON,Everlight and Freescale. Main products comprise IC,Modules,Potentiometer,IC Socket,Relay,Connector.Our parts cover such applications as commercial,industrial, and automotives areas.

We are looking forward to setting up business relationship with you and hope to provide you with the best service and solution. Let us make a better world for our industry!



## Contact us

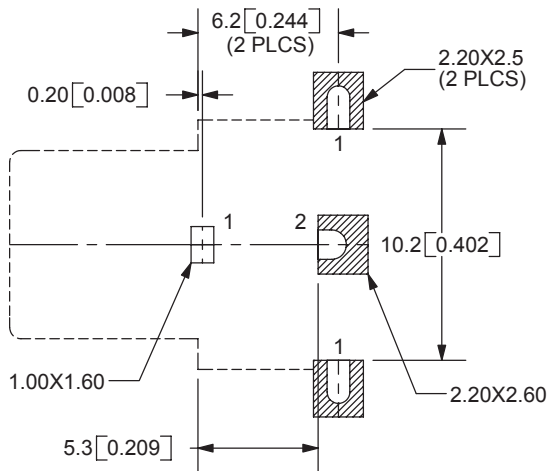
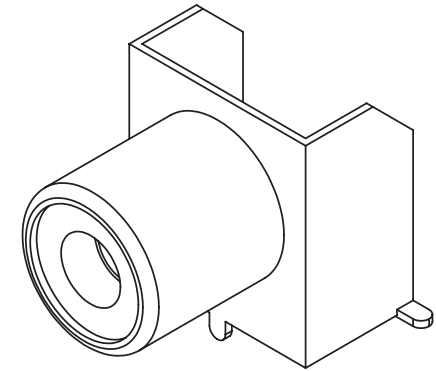
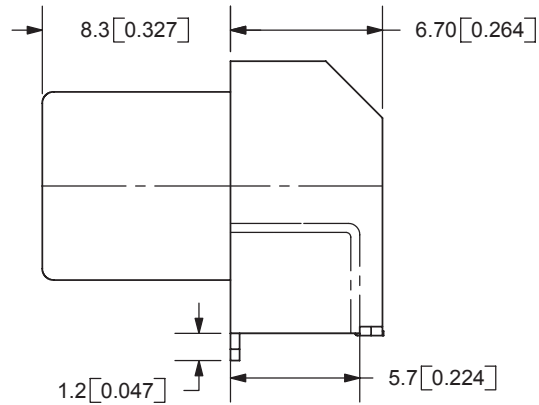
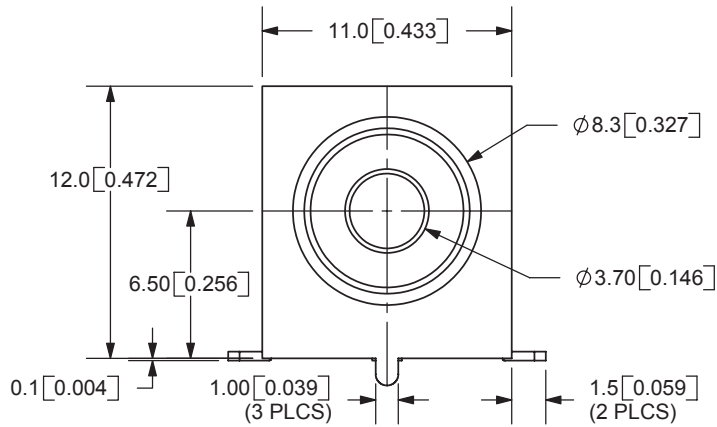
Tel: +86-755-8981 8866 Fax: +86-755-8427 6832

Email & Skype: info@chipsmall.com Web: www.chipsmall.com

Address: A1208, Overseas Decoration Building, #122 Zhenhua RD., Futian, Shenzhen, China



REV.	DESCRIPTION	DATE
A	NEW DRAWING	3/2/2006
B	added TR package option	11/7/2012



PCB LAYOUT  
TOP VIEW

MODEL NO.	RCJ-01X-SMT
SCHEMATIC	

COLOR INDEX	
PART NO.	COLOR
RCJ-011-SMT	Black
RCJ-012-SMT	Red
RCJ-013-SMT	White
RCJ-014-SMT	Yellow
RCJ-017-SMT	Orange

Note:  
Add suffix "-TR" to the model number for  
tape & reel packaging

TOLERANCE:  
X.X ±0.2mm  
X.XX ±0.1mm  
X.XXX ±0.05mm



20050 SW 112th Ave.  
Tualatin, OR 97062  
Phone: 503-612-2300  
800-275-4899  
Fax: 503-372-1266  
Website: www.cui.com

**SPECIFICATIONS:**  
CONTACT RESISTANCE: 25m OHMS MAX  
INSULATION RESISTANCE: 100M OHMS MIN: 500V DC  
VOLTAGE WITHSTAND: 500V AC R.M.S. FOR 1 MINUTE  
LIFE: 5,000 CYCLES  
OPERATING TEMP: -25° ~ +85°C

PC FILE NAME:  
RCJ-01X-SMT

COPYRIGHT 2012 BY CUI INC.

SHELL	MATERIAL	PLATING	TITLE:	SMD RCA SOCKET	REV:	B
BRACKET	C.R. Steel	Tin	PART NO.	RCJ-01X-SMT	UNITS:	MM [INCHES]
CENTER CONTACT	Brass	Tin	DRAWN BY:	ZRJ	APPROVED BY:	SCALE:
INSULATOR	PA66					3:1