



Chipsmall Limited consists of a professional team with an average of over 10 year of expertise in the distribution of electronic components. Based in Hongkong, we have already established firm and mutual-benefit business relationships with customers from,Europe,America and south Asia,supplying obsolete and hard-to-find components to meet their specific needs.

With the principle of "Quality Parts,Customers Priority,Honest Operation,and Considerate Service",our business mainly focus on the distribution of electronic components. Line cards we deal with include Microchip,ALPS,ROHM,Xilinx,Pulse,ON,Everlight and Freescale. Main products comprise IC,Modules,Potentiometer,IC Socket,Relay,Connector.Our parts cover such applications as commercial,industrial, and automotives areas.

We are looking forward to setting up business relationship with you and hope to provide you with the best service and solution. Let us make a better world for our industry!



Contact us

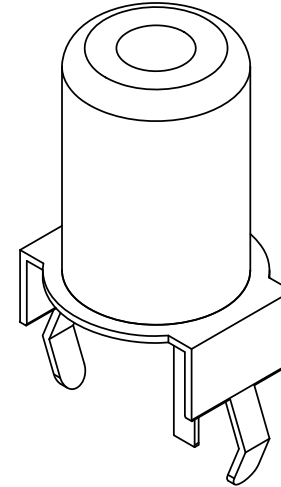
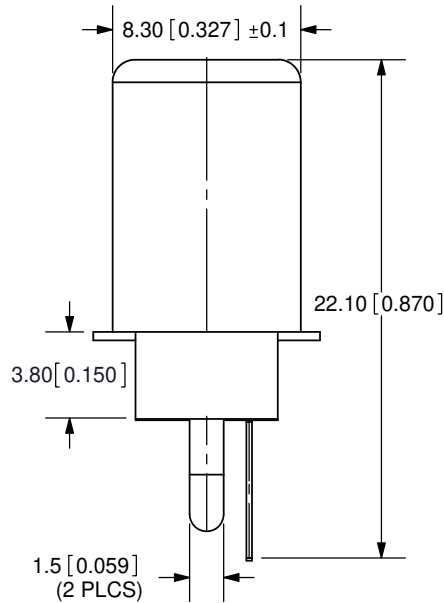
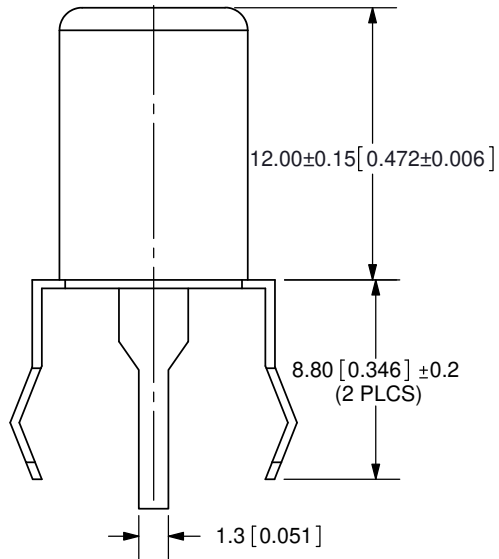
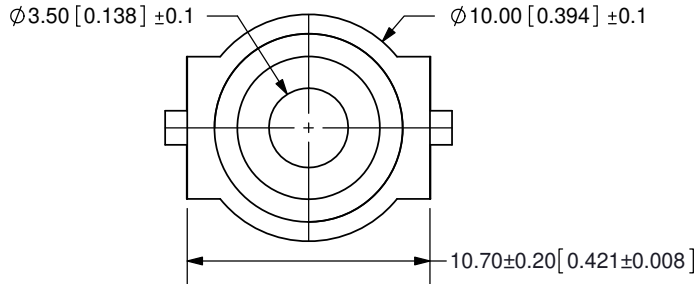
Tel: +86-755-8981 8866 Fax: +86-755-8427 6832

Email & Skype: info@chipsmall.com Web: www.chipsmall.com

Address: A1208, Overseas Decoration Building, #122 Zhenhua RD., Futian, Shenzhen, China

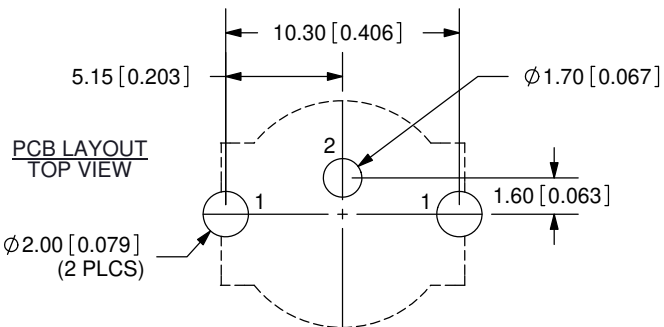


| REV. | DESCRIPTION | DATE |
|------|-----------------|-----------|
| A | NEW DRAWING | 1/10/2006 |
| B | Updated drawing | 5/08/2013 |



SPECIFICATIONS:
 CONTACT RESISTANCE: 30m OHMS MAX
 INSULATION RESISTANCE: 100M OHMS MIN: 500V DC
 VOLTAGE WITHSTAND: 500V AC R.M.S. FOR 1 MINUTE
 LIFE: 5,000 CYCLES
 OPERATING TEMP: -20 ~ 85°C

TOLERANCE:
 ±0.3mm UNLESS OTHERWISE
 SPECIFIED



| COLOR INDEX | |
|-------------|--------|
| PART NO. | COLOR |
| RCJ-021 | Black |
| RCJ-022 | Red |
| RCJ-023 | White |
| RCJ-024 | Yellow |
| RCJ-025 | Blue |
| RCJ-026 | Green |
| RCJ-027 | Orange |



CUI INC

20050 SW 112th Ave.
 Tualatin, OR 97062
 Phone: 503-612-2300
 800-275-4899
 Fax: 503-612-2383
 Website: www.cui.com

| | |
|-----------|---------|
| MODEL NO. | RCJ-02X |
| SCHMATIC | |

| | MATERIAL | PLATING |
|------------------|----------|-----------------|
| SHELL | Brass | Nickel |
| MOUNTING BRACKET | Iron | Tin |
| PIN | Brass | Tin |
| INSULATOR | PBT | see color index |

| | |
|---|--------------------|
| TITLE: RCA Jack, Metal, Vertical, PCB Mount | REV: B |
| PART NO. RCJ-02X | UNITS: MM [INCHES] |
| DRAWN BY: RDS | APPROVED BY: |
| | SCALE: 3:1 |

PC FILE NAME:
 RCJ-02X

COPYRIGHT 2013 BY CUI INC.