



Chipsmall Limited consists of a professional team with an average of over 10 year of expertise in the distribution of electronic components. Based in Hongkong, we have already established firm and mutual-benefit business relationships with customers from,Europe,America and south Asia,supplying obsolete and hard-to-find components to meet their specific needs.

With the principle of “Quality Parts,Customers Priority,Honest Operation,and Considerate Service”,our business mainly focus on the distribution of electronic components. Line cards we deal with include Microchip,ALPS,ROHM,Xilinx,Pulse,ON,Everlight and Freescale. Main products comprise IC,Modules,Potentiometer,IC Socket,Relay,Connector.Our parts cover such applications as commercial,industrial, and automotives areas.

We are looking forward to setting up business relationship with you and hope to provide you with the best service and solution. Let us make a better world for our industry!



Contact us

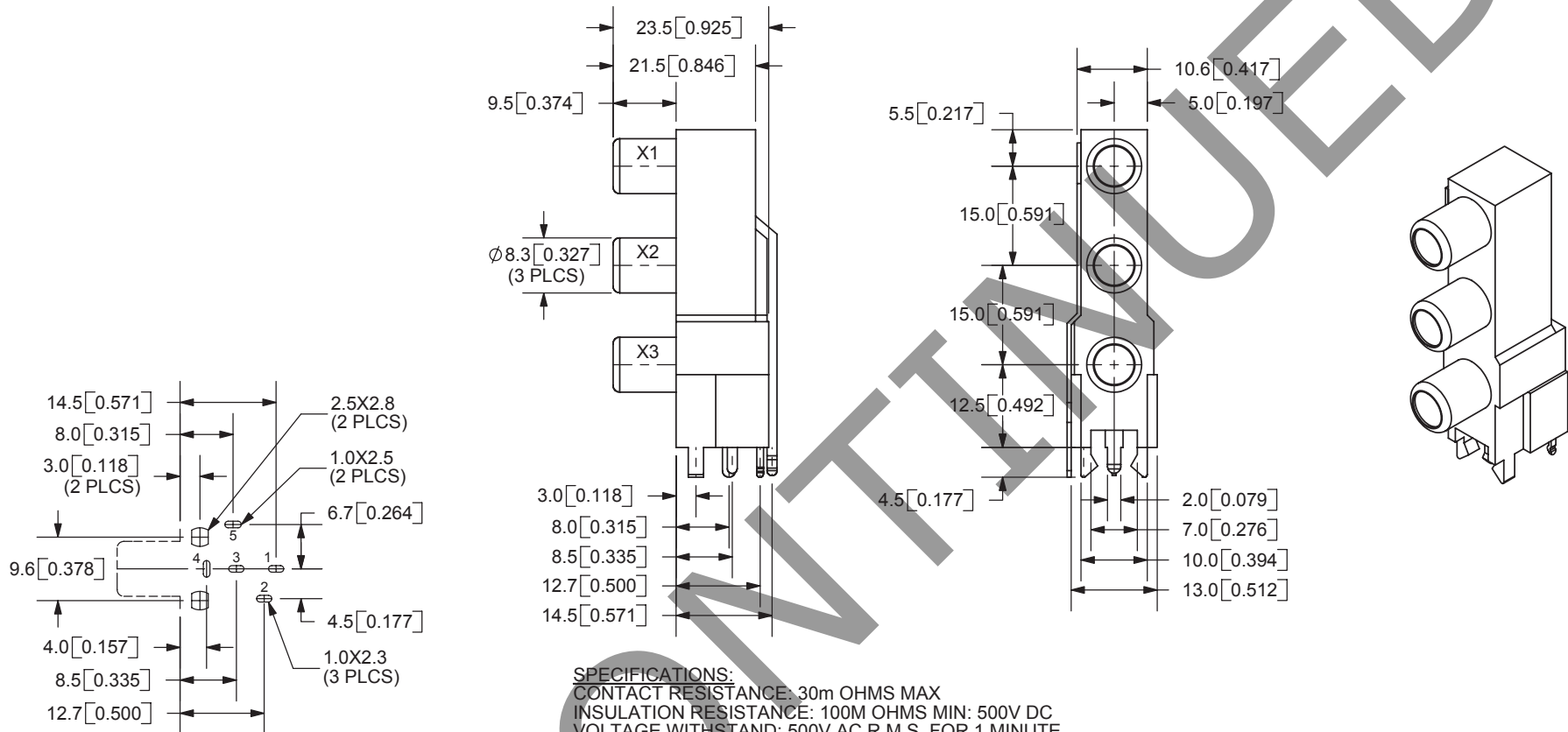
Tel: +86-755-8981 8866 Fax: +86-755-8427 6832

Email & Skype: info@chipsmall.com Web: www.chipsmall.com

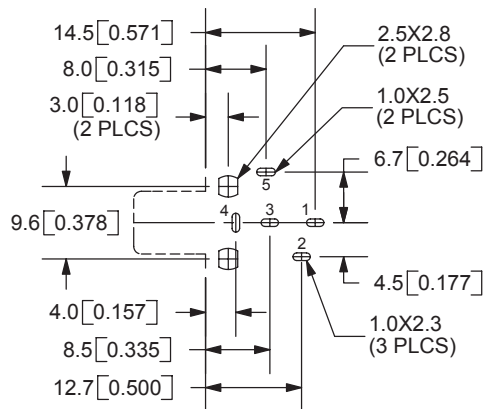
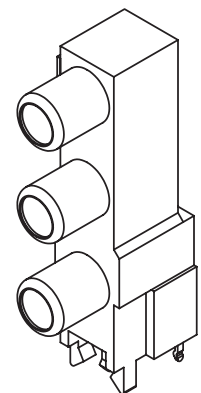
Address: A1208, Overseas Decoration Building, #122 Zhenhua RD., Futian, Shenzhen, China



REV.	DESCRIPTION	DATE
A	NEW DRAWING	4/20/2006



SPECIFICATIONS:
 CONTACT RESISTANCE: 30m OHMS MAX
 INSULATION RESISTANCE: 100M OHMS MIN: 500V DC
 VOLTAGE WITHSTAND: 500V AC R.M.S. FOR 1 MINUTE
 LIFE: 5,000 CYCLES
 OPERATING TEMP: -20° ~ +85°C

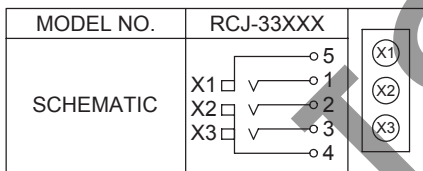


COLOR INDEX			
PART NO.	INPUT X1	INPUT X2	INPUT X3
RCJ-33234	Red Color	White Color	Yellow Color
RCJ-33X1 X2 X3	Color X1	Color X2	Color X3

TOLERANCE:
 ±0.3mm UNLESS OTHERWISE SPECIFIED



9615 SW Allen Blvd., Ste. 103
 Beaverton, OR 97005
 Phone: 503-643-4899
 800-275-4899
 Fax: 503-372-1266
 Website: www.cui.com



COLOR CHART	
1	Black
2	Red
3	White
4	Yellow
5	Blue
6	Green
7	Orange

	MATERIAL	PLATING
BARRELS	Brass	Nickel
TERMINAL 1	Brass	Silver
TERMINAL 2	Brass	Silver
TERMINAL 3	Brass	Silver
HOUSING 1	ABS	Black Color
HOUSING 2	ABS	Black Color
INPUT X1	PBT	see color index
INPUT X2	PBT	see color index
INPUT X3	PBT	see color index

TITLE:	RCA Jack, Dual, Rt Angle, PCB Mount, Vert.	REV:	A
PART NO.	RCJ-33XXX	UNITS:	MM [INCHES]
DRAWN BY:	ZRJ	APPROVED BY:	
		SCALE:	1:1

PC FILE NAME:
 RCJ-33XXX

COPYRIGHT 2006 BY CUI INC.

For more information, please visit the product page.