



Chipsmall Limited consists of a professional team with an average of over 10 year of expertise in the distribution of electronic components. Based in Hongkong, we have already established firm and mutual-benefit business relationships with customers from,Europe,America and south Asia,supplying obsolete and hard-to-find components to meet their specific needs.

With the principle of “Quality Parts,Customers Priority,Honest Operation,and Considerate Service”,our business mainly focus on the distribution of electronic components. Line cards we deal with include Microchip,ALPS,ROHM,Xilinx,Pulse,ON,Everlight and Freescale. Main products comprise IC,Modules,Potentiometer,IC Socket,Relay,Connector.Our parts cover such applications as commercial,industrial, and automotives areas.

We are looking forward to setting up business relationship with you and hope to provide you with the best service and solution. Let us make a better world for our industry!



Contact us

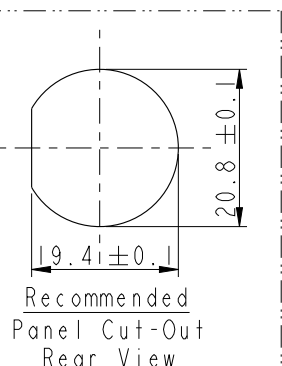
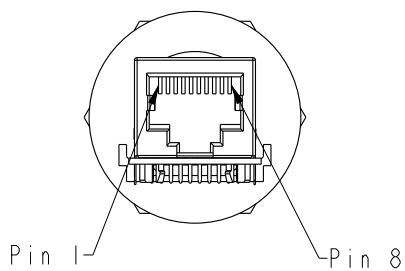
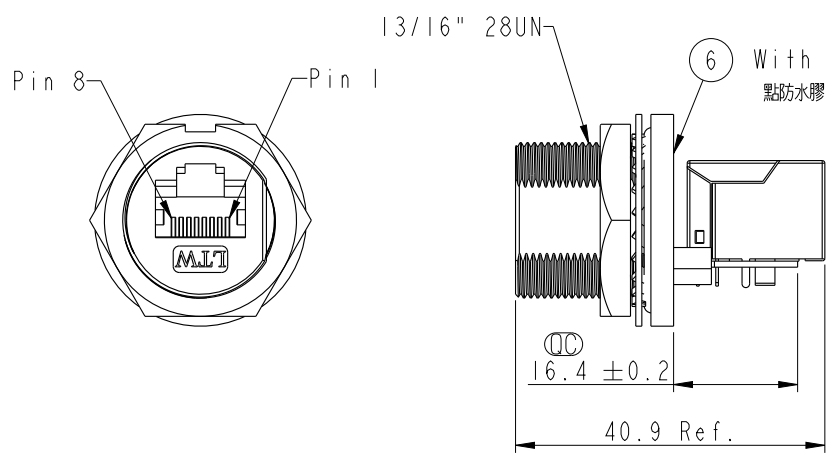
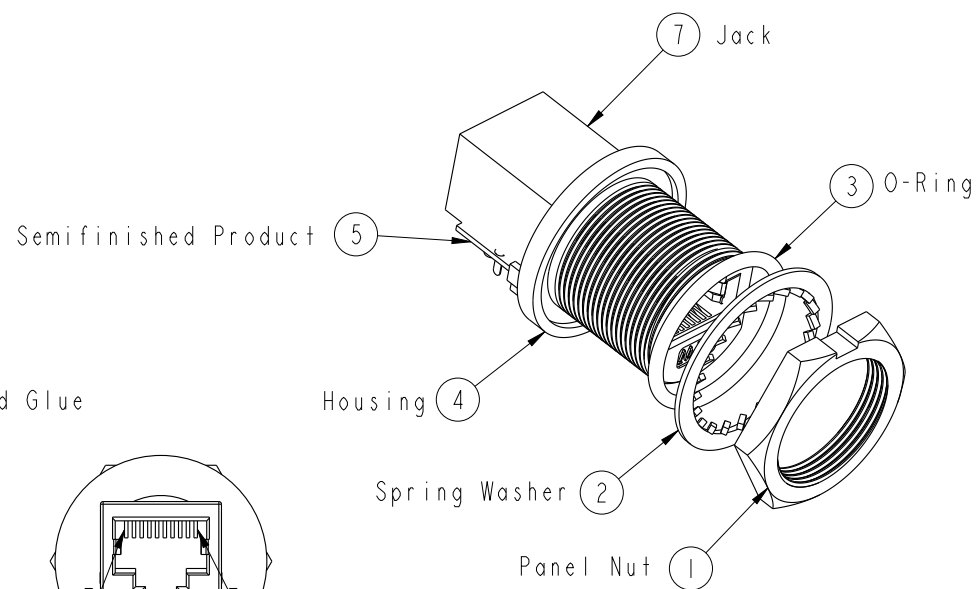
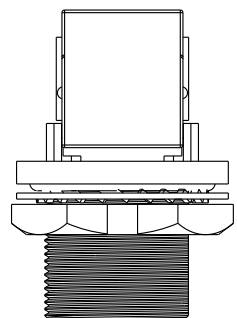
Tel: +86-755-8981 8866 Fax: +86-755-8427 6832

Email & Skype: info@chipsmall.com Web: www.chipsmall.com

Address: A1208, Overseas Decoration Building, #122 Zhenhua RD., Futian, Shenzhen, China



REV.	ECN NO.	DATE	SIGN	DESCRIPTION
B	LEN1460066	2014/06/18	Tom	Change Panel Thickness



ALTW
DCC. DEPT.
CONFIDENTIAL
2014.06.19
ISSUED

ALTW
CONFIDENTIAL
2014-06-18
R&D DEPT.

- Note:
- * (CC) Important Dimension
 - * Waterproof Rate: IP67 Unmated
 - * Panel Nut: Zinc Alloy, Nickel Plated
 - * Spring Washer: SUS304
 - * O-Ring: Silicone, Gray_Black
 - * Housing: Zinc Alloy, Nickel Plated
 - * Finish: Nickel Plated 120u" Min.
Over Copper Plated 500u" Min.
 - △ * Use With Waterproof Cap Or Dust Cap
For Panel Thickness Max: 3.0mm
 - △ * Use Without Waterproof Cap Or Dust Cap
For Panel Thickness Max: 4.2mm
 - * Recommend Force: 8~10kg-cm

UNIT:mm TOLERANCE .X ±0.25 .XX ±0.1 .XXX ±0.05 ANGLES ±1°		TITLE	RJ45,C SIZE, JACK 180SIDE UNMATED WATERPROOF		ITEM NO	RCM-5SPFFH-SCU7001	DRAWN BY	Tom	DATE	2014-06-18	
		SCALE	1:1	SIZE	A4	DWG NO	RCM-5SPFFH-SCU7001	CHECKED BY	Jerry	DATE	2014-06-18
		REV.	B	WC-REV.	A.7	CUSTOMER	ALTW	APPROVED BY	Victor	DATE	2014-06-18

Amphenol LTW
安費諾亮泰企業股份有限公司

THIS DOCUMENT IS SUBJECT TO CHANGE WITHOUT NOTICE. IT IS CONFIDENTIAL AND A PROPERTY OF Amphenol LTW. DISCLOSURE TO THIRD PARTY HAS TO BE AUTHORIZED BY Amphenol LTW.