



Chipsmall Limited consists of a professional team with an average of over 10 year of expertise in the distribution of electronic components. Based in Hongkong, we have already established firm and mutual-benefit business relationships with customers from,Europe,America and south Asia,supplying obsolete and hard-to-find components to meet their specific needs.

With the principle of "Quality Parts,Customers Priority,Honest Operation,and Considerate Service",our business mainly focus on the distribution of electronic components. Line cards we deal with include Microchip,ALPS,ROHM,Xilinx,Pulse,ON,Everlight and Freescale. Main products comprise IC,Modules,Potentiometer,IC Socket,Relay,Connector.Our parts cover such applications as commercial,industrial, and automotives areas.

We are looking forward to setting up business relationship with you and hope to provide you with the best service and solution. Let us make a better world for our industry!



## Contact us

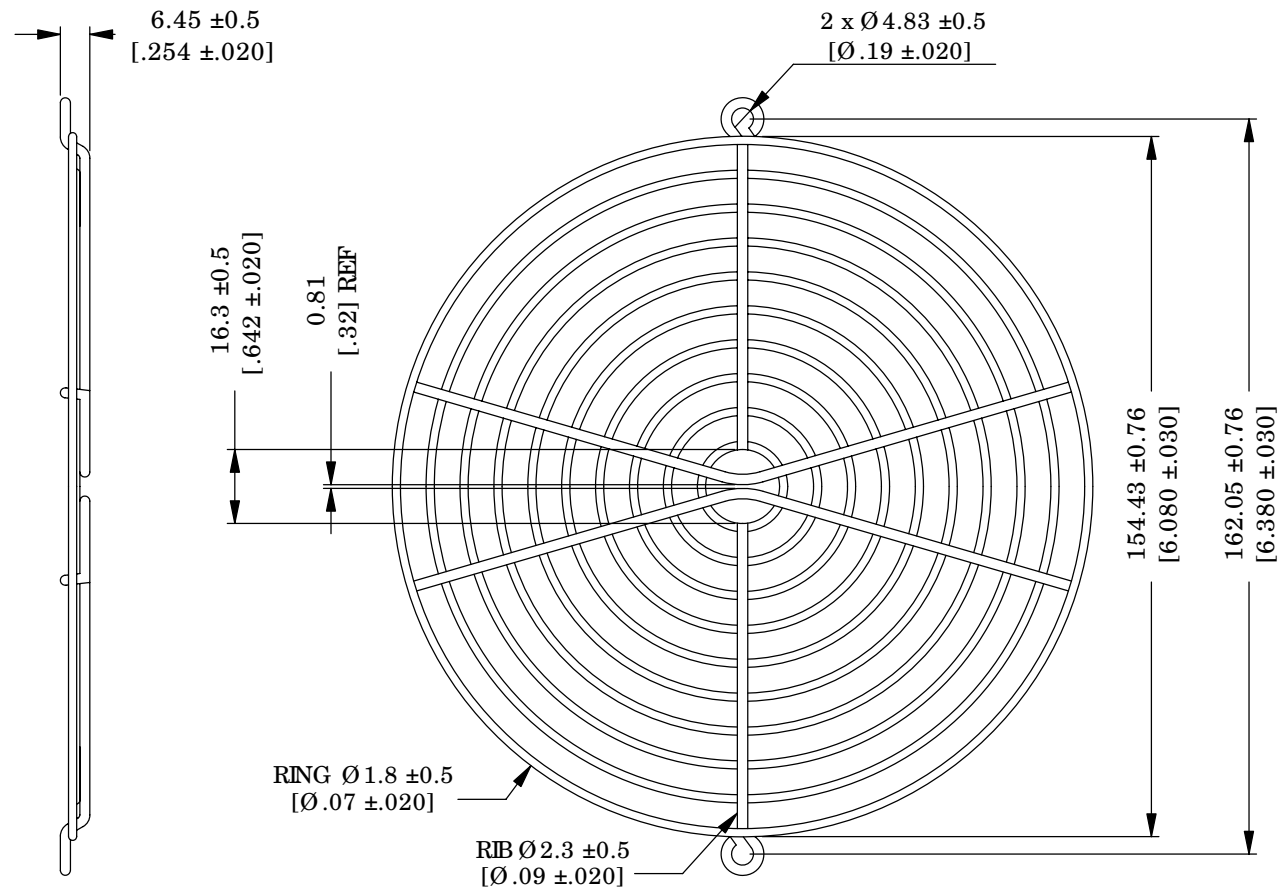
Tel: +86-755-8981 8866 Fax: +86-755-8427 6832

Email & Skype: info@chipsmall.com Web: www.chipsmall.com

Address: A1208, Overseas Decoration Building, #122 Zhenhua RD., Futian, Shenzhen, China



REV.	MODIFICATION.	DATE	DRN
A	NEW DWG	140301	JPM
B	EC R04-205	081204	NJB
C	EC R05-039	290305	OW
04	ECN2006-069	31/05/06	OW
05	ECN2007-195	14/11/07	SF



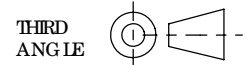
**NOTES**

- 1a) METRIC PRIMARY UNITS: mm
- 1b) IMPERIAL SECONDARY UNITS: [inches]
- 2) SPACING BETWEEN RINGS TO BE EQUIDISTANT 5.67 ±0.5 [0.223 ±0.020].
- 3) MATERIAL:  
STEEL WIRE ELECTROPLATED (RMS-261)  
PLATING: NICKEL CHROME (RMS-229)

INFORMATION CONTAINED IN THIS DOCUMENT IS CONFIDENTIAL TO RICHCO INTERNATIONAL Co., Ltd. AND MAY NOT BE DISCLOSED OR REPRODUCED IN WHOLE OR PART WITHOUT THEIR WRITTEN CONSENT.



GENERAL TOLERANCES ±0.25 [0.010]  
UNLESS OTHERWISE STATED  
1 DECIMAL PLACE ±  
2 DECIMAL PLACES ±  
ANGULAR ±1°



MATERIAL: See note 3		COLOUR: NICKEL CHROME	
DESCRIPTION: METAL FAN GUARD		PART No: RC OFM-150-A	
DRG No: 999-0196	NPR No: N/A	SHEET SIZE A4	
DRN OW	DATE 29/03/05	CHKD NBr	DATE 30/03/05
SCALE NTS	SHEET No. 1 OF 1		