



Chipsmall Limited consists of a professional team with an average of over 10 year of expertise in the distribution of electronic components. Based in Hongkong, we have already established firm and mutual-benefit business relationships with customers from,Europe,America and south Asia,supplying obsolete and hard-to-find components to meet their specific needs.

With the principle of “Quality Parts,Customers Priority,Honest Operation,and Considerate Service”,our business mainly focus on the distribution of electronic components. Line cards we deal with include Microchip,ALPS,ROHM,Xilinx,Pulse,ON,Everlight and Freescale. Main products comprise IC,Modules,Potentiometer,IC Socket,Relay,Connector.Our parts cover such applications as commercial,industrial, and automotives areas.

We are looking forward to setting up business relationship with you and hope to provide you with the best service and solution. Let us make a better world for our industry!



Contact us

Tel: +86-755-8981 8866 Fax: +86-755-8427 6832

Email & Skype: info@chipsmall.com Web: www.chipsmall.com

Address: A1208, Overseas Decoration Building, #122 Zhenhua RD., Futian, Shenzhen, China



PART NUMBER	"A" ±.03 [0.8]	"B" ±.03 [0.8]	"C" REF.	"D" ±.03 [0.8]	"E" REF.	"F" ±.03 [0.8]	"G" REF.	"H" REF.	"Z"	FIG. NO.
RCOFM-25	.94 [24]	---	.41 [10.5]	.09 [2.2]	---	---	.055 [1.4]	.055 [1.4]	2	1
RCOFM-40	1.15 [29.1]	1.26 [32.0]	.56 [14.2]	.19 [4.8]	.16 [4.0]	.16 [4.0]	.06 [1.6]	.06 [1.6]	2	2
RCOFM-50	1.65 [42.0]	1.62 [41.1]		.19 [4.8]	.15 [3.7]	.18 [4.6]				
RCOFM-60	2.09 [53.2]	1.97 [50.0]		.17 [4.4]	.12 [3.0]	.18 [4.6]				
RCOFM-80	3.00 [76.2]	2.81 [71.5]		.19 [4.9]	.14 [3.5]	.20 [5.2]	.07 [1.8]			
RCOFM-92	3.54 [90.0]	3.25 [82.5]		.22 [5.5]	.17 [4.2]	.18 [4.6]	.06 [1.6]	.07 [1.8]		
RCOFM-120	4.55 [115.6]	4.16 [104.8]		.35 [9.0]	.10 [2.6]		.07 [1.8]			

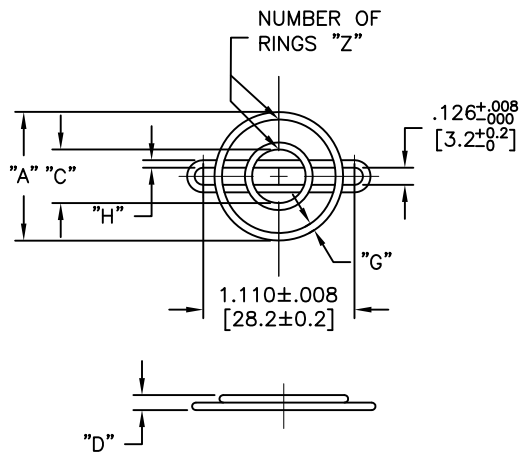


FIG. 1.

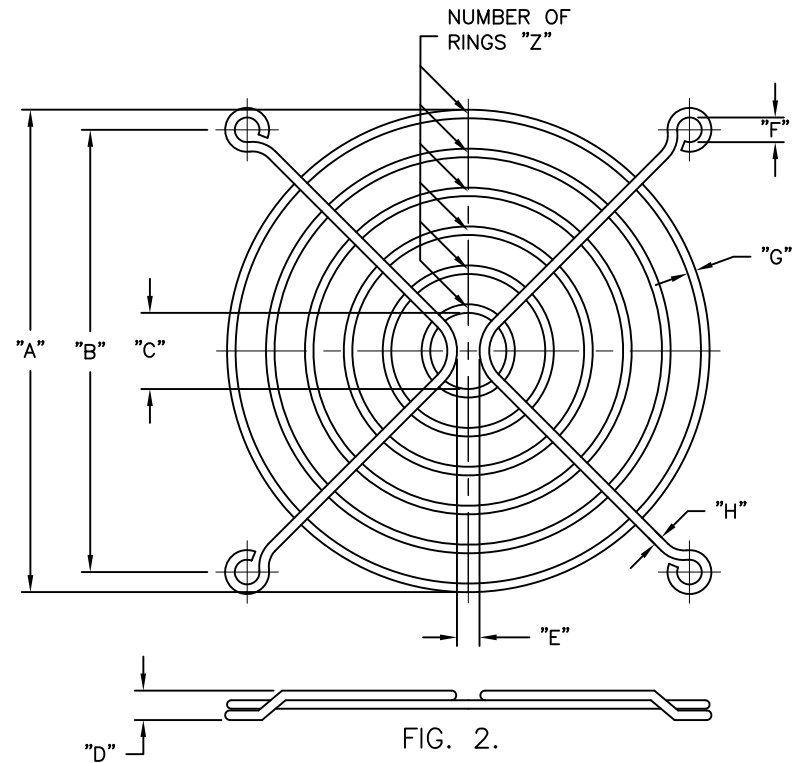


FIG. 2.

NOTES

1. MATERIAL: STEEL WIRE ELECTROPLATED (RMS-261).
2. PLATING: NICKEL CHROME (RMS-229)

REV			DESCRIPTION			ENGR DATE			TITLE: METAL FAN GUARD			DWG IN IN [MM]		FINAL		PRINT TYPE	
E	SEE CO 200247 FOR CHANGES	SK 09.23.08	TOLERANCES UNLESS NOTED .XX=±.010 .XXX=±.005 FRAC=±1/64 ANG=±1°			FILE # RCOFM			DWN: R.D.G.		DT: 11/11/04		PART #		PRINT TYPE		
D	SEE ECN # 1266 FOR CHANGES	SK 12.14.06				MAT'L: SEE NOTES			CHKD: SK		ENGR: RDG						
C	SEE ECN # 1159 FOR CHANGES	SJ 05.02.06				RE: RICHCO, INC.			RICHCO INC.		PO BOX 804238, CHICAGO, 60680		SEE TABLE		CA		
B	SEE ECN # 1054 FOR CHANGES	SK 09.09.05				RICHCO, INC.			(773) 539-4060								
A	RELEASED FOR PRODUCTION	SK 03.17.05															