



Chipsmall Limited consists of a professional team with an average of over 10 year of expertise in the distribution of electronic components. Based in Hongkong, we have already established firm and mutual-benefit business relationships with customers from,Europe,America and south Asia,supplying obsolete and hard-to-find components to meet their specific needs.

With the principle of "Quality Parts,Customers Priority,Honest Operation,and Considerate Service",our business mainly focus on the distribution of electronic components. Line cards we deal with include Microchip,ALPS,ROHM,Xilinx,Pulse,ON,Everlight and Freescale. Main products comprise IC,Modules,Potentiometer,IC Socket,Relay,Connector.Our parts cover such applications as commercial,industrial, and automotives areas.

We are looking forward to setting up business relationship with you and hope to provide you with the best service and solution. Let us make a better world for our industry!



## Contact us

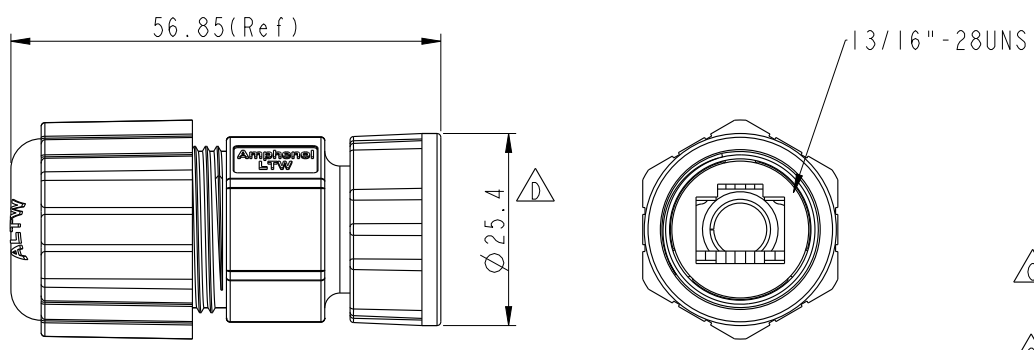
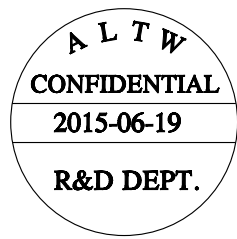
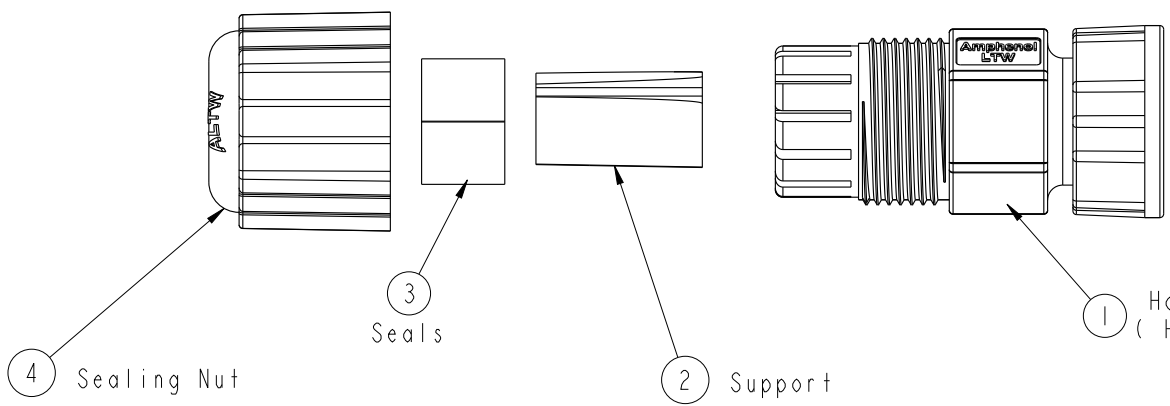
Tel: +86-755-8981 8866 Fax: +86-755-8427 6832

Email & Skype: info@chipsmall.com Web: www.chipsmall.com

Address: A1208, Overseas Decoration Building, #122 Zhenhua RD., Futian, Shenzhen, China

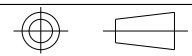


REV.	ECN NO.	DATE	SIGN	DESCRIPTION
B	LEN1420098	2014-02-21	Yulong-wang	Change Screw Nut To Lock Nut; Remove the Pulg & Change the Note
C	LE31490140	2014-09-01	Joyy	Change to 94V0 material
D	LEN1570168	2015-06-19	Tom	Change Tolerance



- Note:
- \*  $\varnothing$  Important Dimension
  - \* Waterproof Rate : IP67 (Mated)
  - \* Housing : Nylon66, Black
  - \* Gasket : Silicone, Gray
  - \* Screw Nut : Nylon+GF, Black
  - \* Support: PVC, Black
  - \* Sealing Nut: Nylon+GF, Black
  - \* Seals: Silicone, Gray.
  - \* Cable OD Range: 5.0~6.5mm
  - \* Mating Nut Torsion Value Range: 5~8kgf-cm
  - \* Sealing Nut Torsion Value Range: 8~15kgf-cm
  - \* One Set Unassembled in One PE Bag.

UNIT : mm



TITLE RJ45 FEED-THRU, 13/16"-28, CSIZE			
SCALE 1:1	SIZE A4	SHEET 1 OF 1	
REV. D	WC-REV. A.19	$\varnothing$ : Inspection item	

**Amphenol LTW**  
安費諾亮泰企業股份有限公司

ITEM NO RCP-00BMMS-SLM7001	DRAWN BY Tom	DATE 2015-06-19
DWG NO RCP-00BMMS-SLM7001	CHECKED BY Jiazhen	DATE 2015-06-19
CUSTOMER ALTW	APPROVED BY Jerry	DATE 2015-06-19

THIS DOCUMENT IS SUBJECT TO CHANGE WITHOUT NOTICE. IT IS CONFIDENTIAL AND A PROPERTY OF Amphenol LTW. DISCLOSURE TO THIRD PARTY HAS TO BE AUTHORIZED BY Amphenol LTW.