



Chipsmall Limited consists of a professional team with an average of over 10 year of expertise in the distribution of electronic components. Based in Hongkong, we have already established firm and mutual-benefit business relationships with customers from,Europe,America and south Asia,supplying obsolete and hard-to-find components to meet their specific needs.

With the principle of "Quality Parts,Customers Priority,Honest Operation,and Considerate Service",our business mainly focus on the distribution of electronic components. Line cards we deal with include Microchip,ALPS,ROHM,Xilinx,Pulse,ON,Everlight and Freescale. Main products comprise IC,Modules,Potentiometer,IC Socket,Relay,Connector.Our parts cover such applications as commercial,industrial, and automotives areas.

We are looking forward to setting up business relationship with you and hope to provide you with the best service and solution. Let us make a better world for our industry!



Contact us

Tel: +86-755-8981 8866 Fax: +86-755-8427 6832

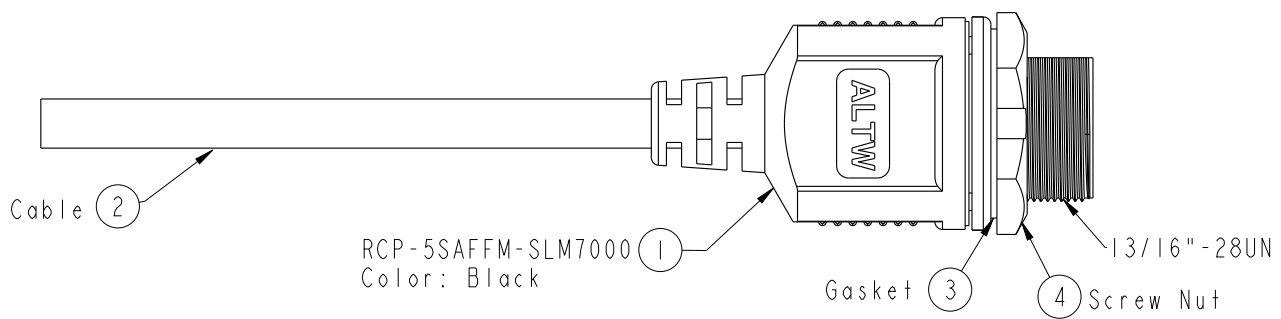
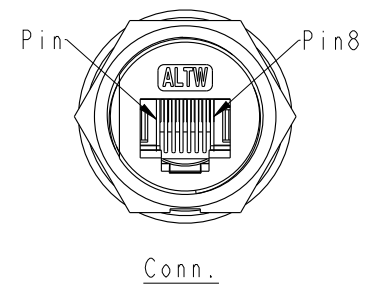
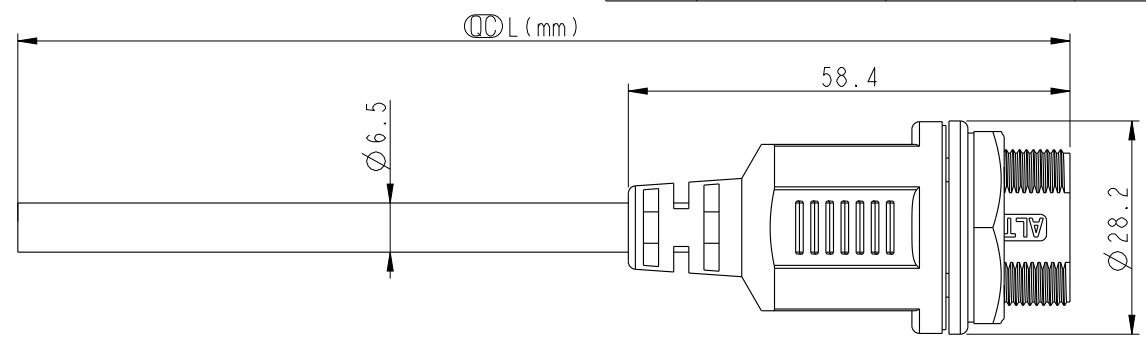
Email & Skype: info@chipsmall.com Web: www.chipsmall.com

Address: A1208, Overseas Decoration Building, #122 Zhenhua RD., Futian, Shenzhen, China

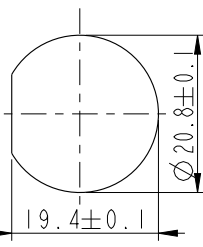


THIS DOCUMENT IS SUBJECT TO CHANGE WITHOUT NOTICE. IT IS CONFIDENTIAL AND A PROPERTY OF Amphenol LTW. DISCLOSURE TO THIRD PARTY HAS TO BE AUTHORIZED BY Amphenol LTW.

REV.	ECN NO.	DATE	SIGN	DESCRIPTION
A	Initial Release	2014/06/19	Tom	Change Rev. I To Rev. A



Drain Wire	地線	Shield	
Brown	棕	8	Twist 對線
White/Brown	白/棕	7	
Green	綠	6	Twist 對線
White/Blue	白/藍	5	
Blue	藍	4	Twist 對線
White/Green	白/綠	3	
Orange	橙	2	Twist 對線
White/Orange	白/橙	1	
Wire Color		Conn.	
Pin Out			



Recommended Panel Cut-Out

RCP-5SAFFM-SLM7BXX
 XX:01~99Meter
 01:01Meter
 02:02Meters
 :
 :
 99:99Meters
 Cable Length(L):01~99Meters

Note:
 * Ⓞ Important Dimension To Check.
 * Waterproof Rate: IP67
 * Connector : Nylon+GF, Black
 * Cable : CAT5E FTP 24AWG*4P+My+Drain +AL/My (UV Resistant),OD=6.5mm, Black
 * Cable Length Tolerance: 01M:±40mm
 02M~05M:±60mm
 06M~10M:±100mm
 11M~30M:±200mm
 31M~99M:±500mm

UNIT:mm	
TOLERANCE	±0.5

TITLE RJ45 Cable Screw Cat 5E F Conn F Pin			
SCALE 1:1	SIZE A4	SHEET 1 OF 1	
REV. A	WC-REV. A.3	Ⓞ: Inspection item	

Amphenol LTW
 安費諾亮泰企業股份有限公司

ITEM NO	DRAWN BY Tom	DATE 2014-06-19
DWG NO RCP-5SAFFM-SLM7BXX	CHECKED BY Jerry	DATE 2014-06-19
CUSTOMER ALTW	APPROVED BY Victor	DATE 2014-06-19