



Chipsmall Limited consists of a professional team with an average of over 10 year of expertise in the distribution of electronic components. Based in Hongkong, we have already established firm and mutual-benefit business relationships with customers from,Europe,America and south Asia,supplying obsolete and hard-to-find components to meet their specific needs.

With the principle of “Quality Parts,Customers Priority,Honest Operation,and Considerate Service”,our business mainly focus on the distribution of electronic components. Line cards we deal with include Microchip,ALPS,ROHM,Xilinx,Pulse,ON,Everlight and Freescale. Main products comprise IC,Modules,Potentiometer,IC Socket,Relay,Connector.Our parts cover such applications as commercial,industrial, and automotives areas.

We are looking forward to setting up business relationship with you and hope to provide you with the best service and solution. Let us make a better world for our industry!



Contact us

Tel: +86-755-8981 8866 Fax: +86-755-8427 6832

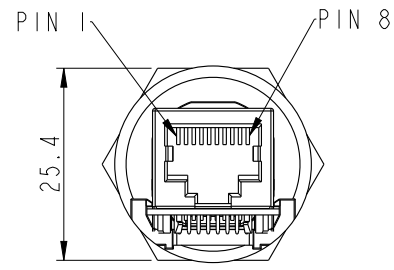
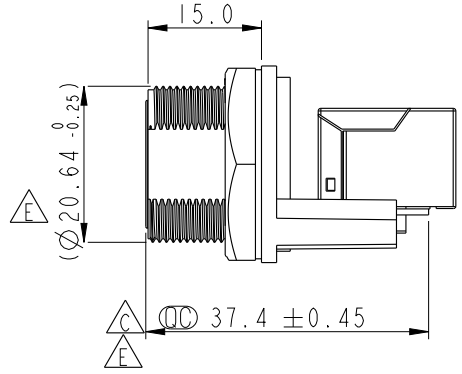
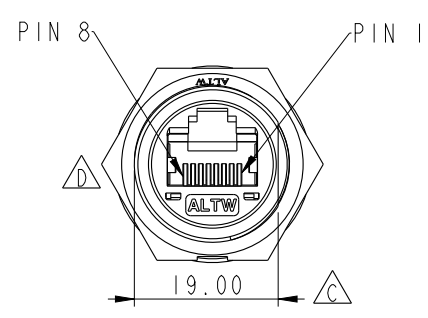
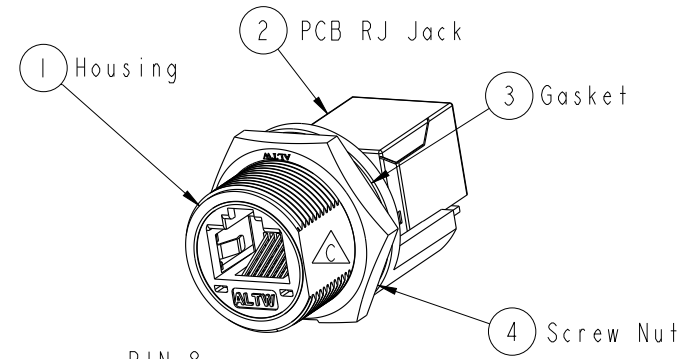
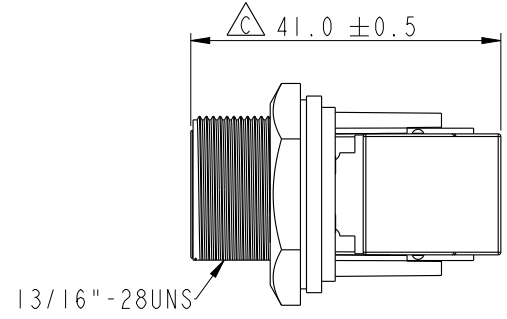
Email & Skype: info@chipsmall.com Web: www.chipsmall.com

Address: A1208, Overseas Decoration Building, #122 Zhenhua RD., Futian, Shenzhen, China

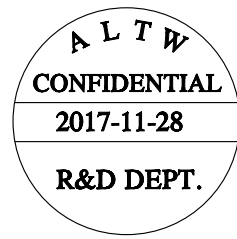
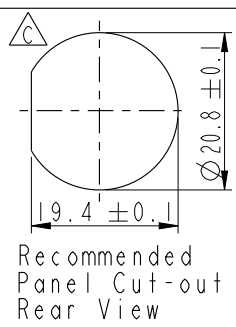


THIS DOCUMENT IS SUBJECT TO CHANGE WITHOUT NOTICE. IT IS CONFIDENTIAL AND A PROPERTY OF AMPHENOL LTW. DISCLOSURE TO THIRD PARTY HAS TO BE AUTHORIZED BY AMPHENOL LTW.

REV.	ECN NO.	DATE	SIGN	DESCRIPTION
C	LEN1440092	2014-04-04	Tom-gu	Change H Cut To D Cut
D	LEN15C0246	2015-12-16	Jinhai	凸字底部修平
E	LEN1810008	2017-11-28	Jalam	Modify The Tolerance



- Note:
- * \varnothing Important Dimension
 - * Waterproof Rate : IP67 Mated
 - * Housing : Nylon+GF, UL 94V-0, BLACK
 - * Screw Nut : Nylon+GF, BLACK
 - * Gasket : Silicone, UL 94V-0, Gray.
 - * PCB: FR-4
 - * Jack : PBT Polyester UL 94V-0
 - * Use without Waterproof cap or Dust cap
For Panel Thickness Max: 4.2mm
 - * Use with Waterproof cap or Dust cap
For Panel Thickness Max: 3.0mm
 - * Screw torsion value range: 8~12kgf-cm



UNIT: mm		TITLE RJ45,C SIZE, MATED WP			<h1>Amphenol LTW</h1> 安費諾亮泰企業股份有限公司	ITEM NO	RCP-5SPFFH-SCM7001	DRAWN BY	Jalam	DATE	2017-11-28				
		TOLERANCE	.X ±0.25 .XX ±0.1 .XXX ±0.05 ANGLES ±1°	SCALE		1:1	SIZE	A4	SHEET	1	OF	1	DWG NO	RCP-5SPFFH-SCM7001	CHECKED BY
		REV.	E	WC-REV.	C.3	\varnothing : Inspection item		CUSTOMER	ALTW	APPROVED BY	Jerry	DATE	2017-11-28		