



Chipsmall Limited consists of a professional team with an average of over 10 year of expertise in the distribution of electronic components. Based in Hongkong, we have already established firm and mutual-benefit business relationships with customers from,Europe,America and south Asia,supplying obsolete and hard-to-find components to meet their specific needs.

With the principle of “Quality Parts,Customers Priority,Honest Operation,and Considerate Service”,our business mainly focus on the distribution of electronic components. Line cards we deal with include Microchip,ALPS,ROHM,Xilinx,Pulse,ON,Everlight and Freescale. Main products comprise IC,Modules,Potentiometer,IC Socket,Relay,Connector.Our parts cover such applications as commercial,industrial, and automotives areas.

We are looking forward to setting up business relationship with you and hope to provide you with the best service and solution. Let us make a better world for our industry!



Contact us

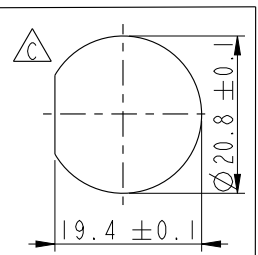
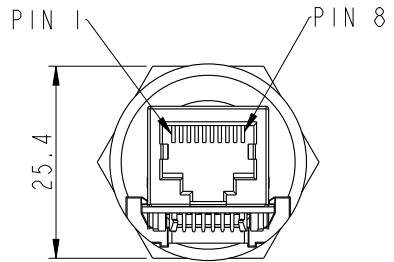
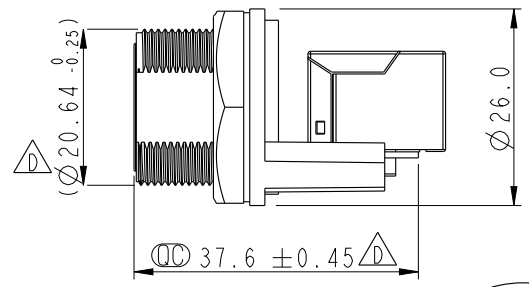
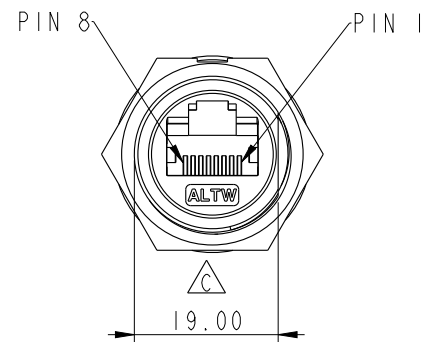
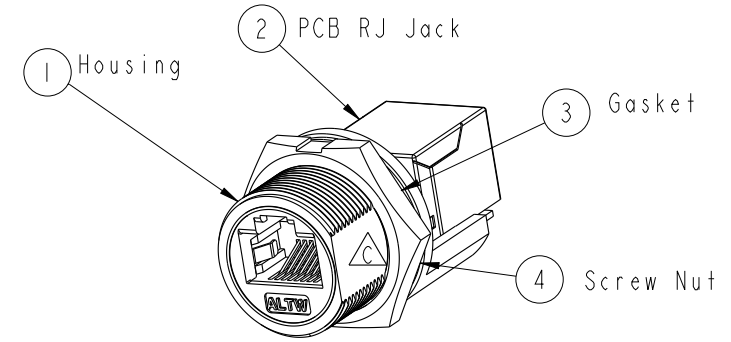
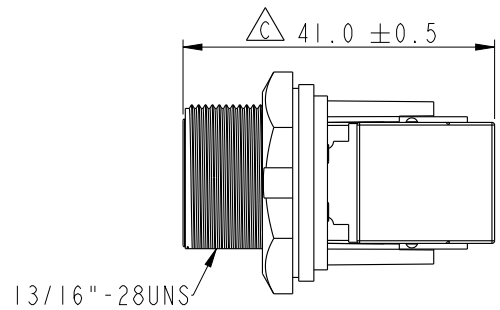
Tel: +86-755-8981 8866 Fax: +86-755-8427 6832

Email & Skype: info@chipsmall.com Web: www.chipsmall.com

Address: A1208, Overseas Decoration Building, #122 Zhenhua RD., Futian, Shenzhen, China



REV.	ECN NO.	DATE	SIGN	DESCRIPTION
C	LEN1440106	2014-04-10	Tom_gu	Change H Cut To D Cut
D	LEN1810036	2017-11-28	Jalam	Change The Tolerance



Recommended Panel Cut-out Rear View

ALTW
CONFIDENTIAL
2017-11-28
R&D DEPT.

ALTW
DCC. DEPT.
CONFIDENTIAL
2018.01.10
ISSUED

- Note:
- * CC Important Dimension
 - * Waterproof Rate : IP67 Unmated
 - * Housing : Nylon+GF,UL 94V-0,BLACK
 - * Screw Nut : Nylon+GF,BLACK
 - * Gasket : Silicone,UL 94V-0,Gray.
 - * PCB: FR-4
 - * Jack : PBT Polyester UL 94V-0
 - * Use without Waterproof cap or Dust cap For Panel Thickness Max: 4.2mm
 - * Use with Waterproof cap or Dust cap For Panel Thickness Max: 3.0mm
 - * Screw torsion value range: 8~12kgf-cm

UNIT: mm		TITLE RJ45,C SIZE,WATERPROOF	Amphenol LTW 安費諾亮泰企業股份有限公司		ITEM NO RCP-5SPFFH-SCU7001	DRAWN BY Jalam	DATE 2017-11-28
TOLERANCE .X ±0.25 .XX ±0.1 .XXX ±0.05 ANGLES ±1°	SCALE 1:1	SIZE A4	SHEET 1	OF 1	DWG NO RCP-5SPFFH-SCU7001	CHECKED BY Feng_Li	DATE 2017-11-28
	REV. D	WC-REV. C.2	CC : Inspection item		CUSTOMER ALTW	APPROVED BY Jerry	DATE 2017-11-28

THIS DOCUMENT IS SUBJECT TO CHANGE WITHOUT NOTICE. IT IS CONFIDENTIAL AND A PROPERTY OF AMPHENOL LTW. DISCLOSURE TO THIRD PARTY HAS TO BE AUTHORIZED BY AMPHENOL LTW.