



Chipsmall Limited consists of a professional team with an average of over 10 year of expertise in the distribution of electronic components. Based in Hongkong, we have already established firm and mutual-benefit business relationships with customers from,Europe,America and south Asia,supplying obsolete and hard-to-find components to meet their specific needs.

With the principle of "Quality Parts,Customers Priority,Honest Operation,and Considerate Service",our business mainly focus on the distribution of electronic components. Line cards we deal with include Microchip,ALPS,ROHM,Xilinx,Pulse,ON,Everlight and Freescale. Main products comprise IC,Modules,Potentiometer,IC Socket,Relay,Connector.Our parts cover such applications as commercial,industrial, and automotives areas.

We are looking forward to setting up business relationship with you and hope to provide you with the best service and solution. Let us make a better world for our industry!



Contact us

Tel: +86-755-8981 8866 Fax: +86-755-8427 6832

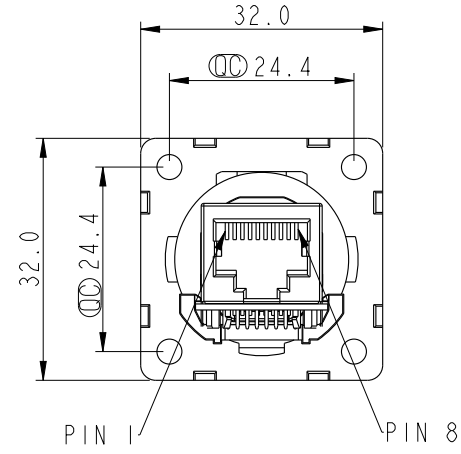
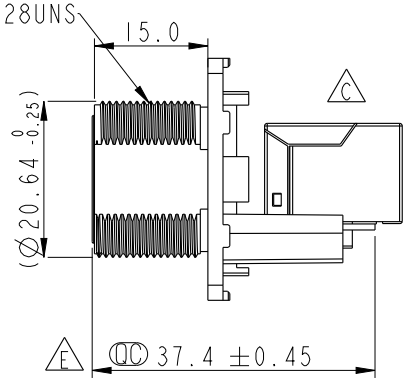
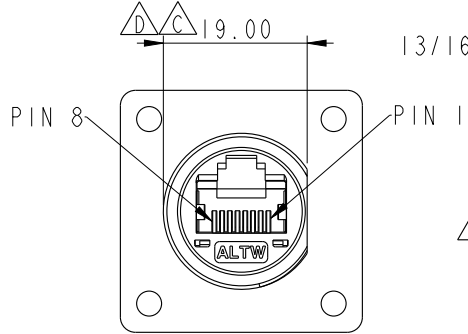
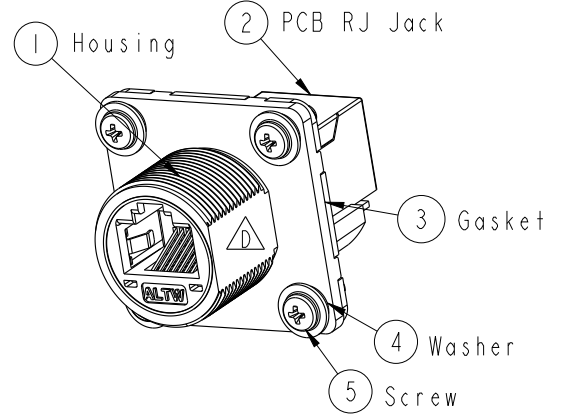
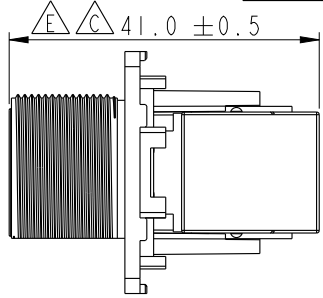
Email & Skype: info@chipsmall.com Web: www.chipsmall.com

Address: A1208, Overseas Decoration Building, #122 Zhenhua RD., Futian, Shenzhen, China

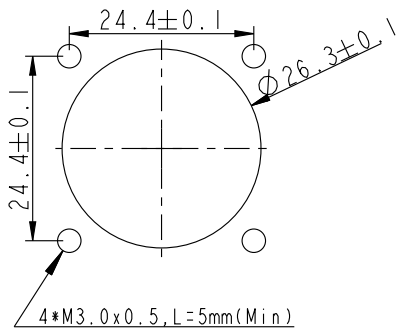


REV.	ECN NO.	DATE	SIGN	DESCRIPTION
C	LE313A0313	2013-09-07	Raison	Modify Jack, Note, Screw, H Cut
D	LE31480161	2014-07-14	Tom	Change D Cut, Gasket
E	LEN1810067	2017-11-28	Jalam	Change The Tolerance

ALTW
CONFIDENTIAL
2017-11-28
R&D DEPT.



Recommended Panel Cut-out



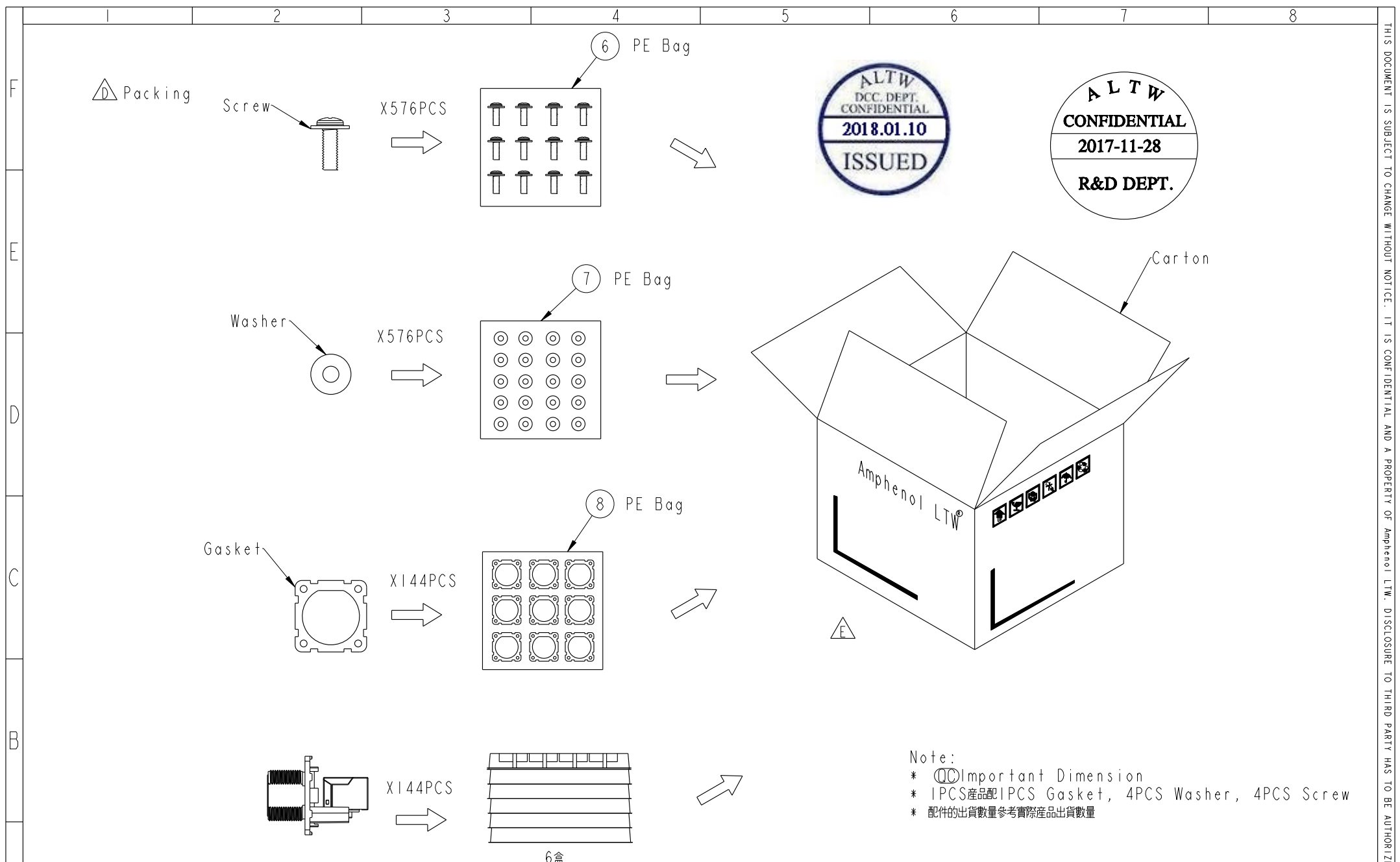
ALTW
DCC. DEPT.
CONFIDENTIAL
2018.01.10
ISSUED

- Note:
- * \varnothing Important Dimension
 - * Waterproof Rate : IP67 Mated
 - * Housing : Nylon+GF, BLACK
 - * Screw : S. STEEL, M3*0.5 L=8.0
 - * Gasket : Silicone, Gray.
 - * PCB: FR-4
 - * Jack : PBT Polyester
 - * Screw torsion value range: 3~3.5kgf-cm
 - * Temperature Range: -40°C to 105°C

UNIT : mm		TITLE RJ45, C SIZE, MATED WATERPROOF SQUARE		<h1 style="margin: 0;">Amphenol LTW</h1> <p style="margin: 0;">安費諾亮泰企業股份有限公司</p>	ITEM NO RCP-5SPFFH-SSM7001	DRAWN BY Jalam	DATE 2017-11-28
		TOLERANCE .X ±0.25 .XX ±0.1 .XXX ±0.05 ANGLES ±1°	SCALE 1:1		SIZE A4	SHEET 1 OF 2	DWG NO RCP-5SPFFH-SSM7001
		REV. E	WC-REV. C.4	\varnothing : Inspection item	CUSTOMER ALTW	APPROVED BY Jerry	DATE 2017-11-28

THIS DOCUMENT IS SUBJECT TO CHANGE WITHOUT NOTICE. IT IS CONFIDENTIAL AND A PROPERTY OF AMPHENOL LTW. DISCLOSURE TO THIRD PARTY HAS TO BE AUTHORIZED BY AMPHENOL LTW.

THIS DOCUMENT IS SUBJECT TO CHANGE WITHOUT NOTICE. IT IS CONFIDENTIAL AND A PROPERTY OF Amphenol LTW. DISCLOSURE TO THIRD PARTY HAS TO BE AUTHORIZED BY Amphenol LTW.



Note:
 * ⊙ Important Dimension
 * IPCS 產品配 IPCS Gasket, 4PCS Washer, 4PCS Screw
 * 配件的出貨數量參考實際產品出貨數量

A	UNIT: mm	⊙	⊙	TITLE RJ45, C SIZE, MATED WATERPROOF SQUARE		Amphenol LTW		ITEM NO RCP-5SPFFH-SSM7001	DRAWN BY Jalam	DATE 2017-11-28
	TOLERANCE .X ±0.25 .XX ±0.1 .XXX ±0.05 ANGLES ±1°	SCALE 1:1	SIZE A4	SHEET 2 OF 2	安費諾亮泰企業股份有限公司		DWG NO RCP-5SPFFH-SSM7001	CHECKED BY Feng_Li	DATE 2017-11-28	
	REV. E	WC-REV. C.4	⊙ : Inspection item			CUSTOMER ALTW	APPROVED BY Jerry	DATE 2017-11-28		