



Chipsmall Limited consists of a professional team with an average of over 10 year of expertise in the distribution of electronic components. Based in Hongkong, we have already established firm and mutual-benefit business relationships with customers from,Europe,America and south Asia,supplying obsolete and hard-to-find components to meet their specific needs.

With the principle of "Quality Parts,Customers Priority,Honest Operation,and Considerate Service",our business mainly focus on the distribution of electronic components. Line cards we deal with include Microchip,ALPS,ROHM,Xilinx,Pulse,ON,Everlight and Freescale. Main products comprise IC,Modules,Potentiometer,IC Socket,Relay,Connector.Our parts cover such applications as commercial,industrial, and automotives areas.

We are looking forward to setting up business relationship with you and hope to provide you with the best service and solution. Let us make a better world for our industry!



Contact us

Tel: +86-755-8981 8866 Fax: +86-755-8427 6832

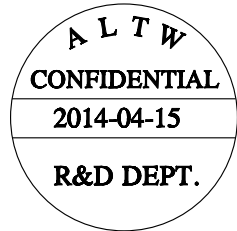
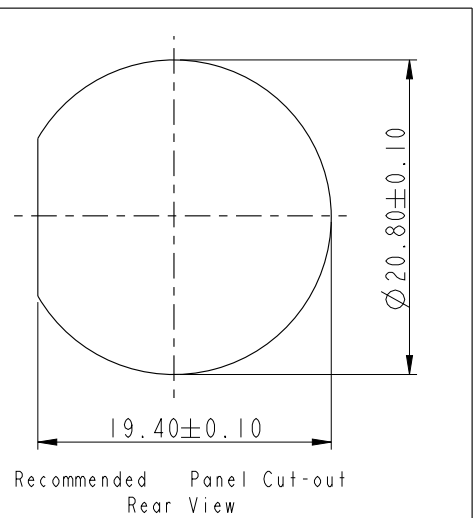
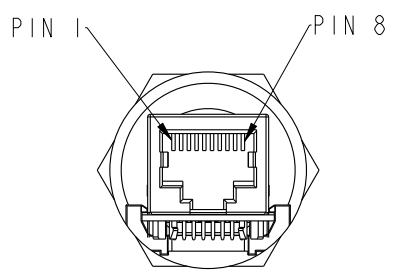
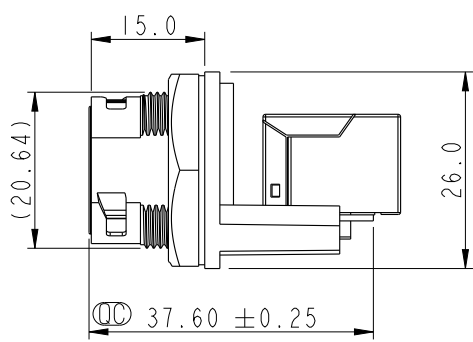
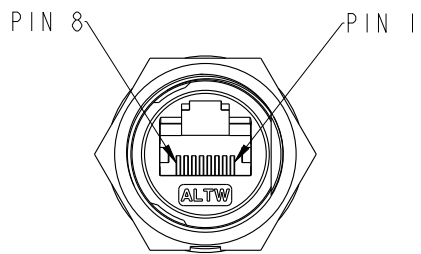
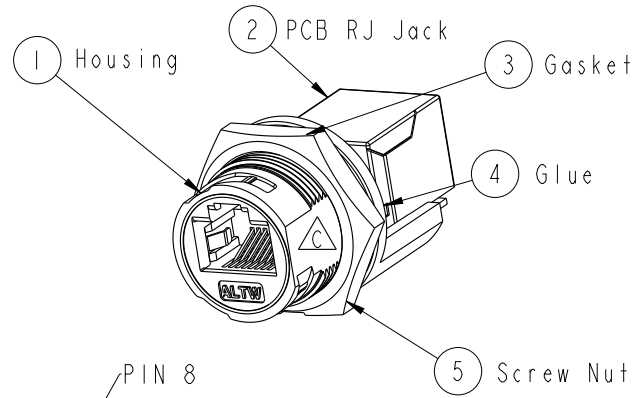
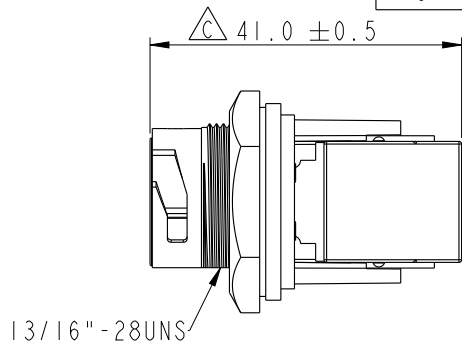
Email & Skype: info@chipsmall.com Web: www.chipsmall.com

Address: A1208, Overseas Decoration Building, #122 Zhenhua RD., Futian, Shenzhen, China



THIS DOCUMENT IS SUBJECT TO CHANGE WITHOUT NOTICE. IT IS CONFIDENTIAL AND A PROPERTY OF AMPHENOL LTW. DISCLOSURE TO THIRD PARTY HAS TO BE AUTHORIZED BY AMPHENOL LTW.

REV.	ECN NO.	DATE	SIGN	DESCRIPTION
B	LE313A0338	2013-10-23	Raison	Modify Jack, Note
C	LEN1440159	2014-04-15	Tom_gu	Change D Cut



- Note:
- * \varnothing Important Dimension
 - * Waterproof Rate : IP67 Unmated
 - * Housing : Nylon+GF, UL 94V-0, BLACK
 - * Screw Nut : Nylon+GF, BLACK
 - * \triangle Gasket : Silicone, UL 94V-0, Gray.
 - * PCB: FR-4
 - * Jack : PBT Polyester UL 94V-0
 - * \triangle Use without Waterproof cap or Dust cap
For Panel Thickness Max: 4.2mm
 - * Use with Waterproof cap or Dust cap
For Panel Thickness Max: 3.0mm
 - * \triangle Screw torsion value range: 8~12kgf-cm

UNIT : mm		TITLE		ITEM NO	DRAWN BY	DATE	
		RJ45, C SIZE, WATERPROOF		RCP-5SPFFH-TCU7001	Tom_gu	2014-04-15	
		SCALE	SIZE	SHEET	OF	CHECKED BY	DATE
TOLERANCE		1:1	A4	1	1	Tony	2014-04-15
.X ±0.25		REV.	WC-REV.	\varnothing : Inspection item	APPROVED BY	DATE	
.XX ±0.1		C	B.3		Victor	2014-04-15	
.XXX ±0.05				CUSTOMER			
ANGLES ±1°				ALTW			

Amphenol LTW
安費諾亮泰企業股份有限公司